

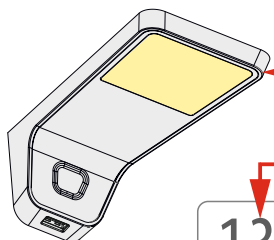
---

**FURNIKA** 2019  
*Light created with passion*



# LENA II USB

nazwa produktu/product name/produktname/название продукта



produkt Furnika / Furnika product / produkt Furnika / Фурниковый продукт

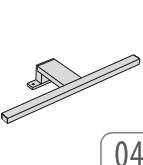
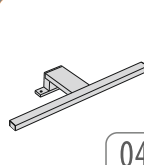
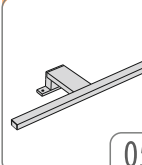
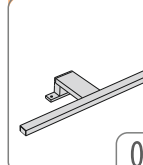
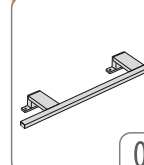
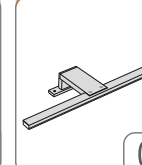
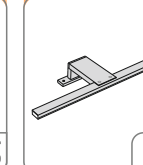
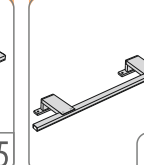
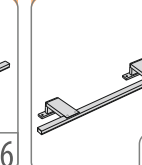
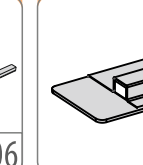
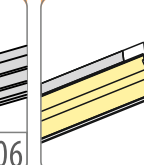
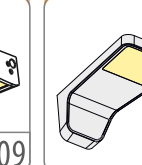



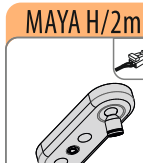
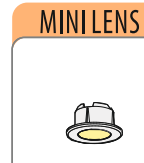

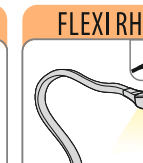
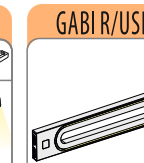
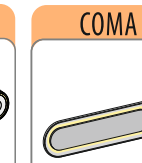
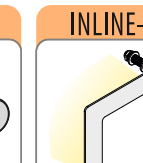
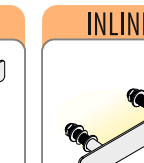
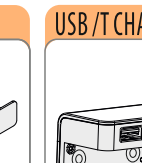

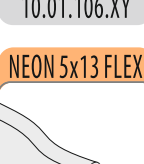
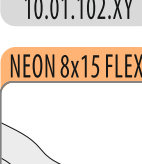
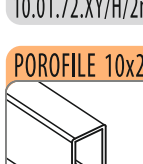
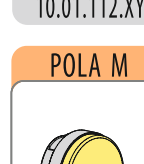


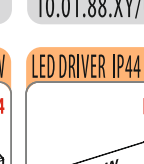
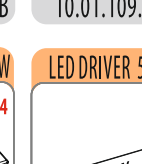
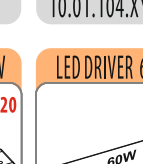
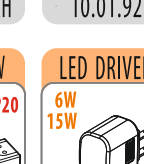
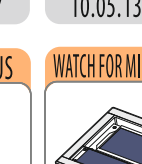
numer strony / page number / seitennummer / номер страницы

13

10.01.99.XY/USB

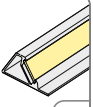
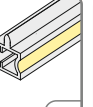
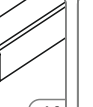


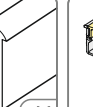

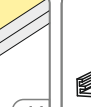
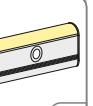
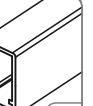
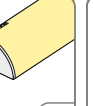
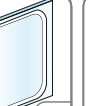
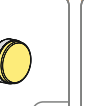
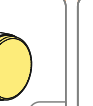
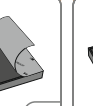
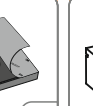
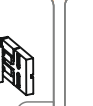



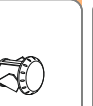
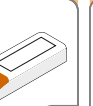
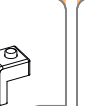
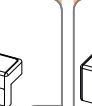
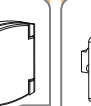


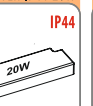
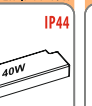

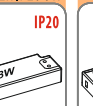
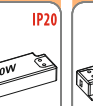
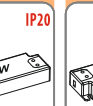
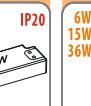




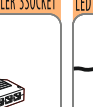
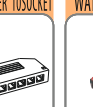




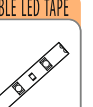
indeks/index/index/индекс

## Nowe produkty /New products /Neue produkte / новые продукты - 2019

|  |   |   |   |  |   |  |  |   |   |   |  |
|--|---|---|---|--|---|--|--|---|---|---|--|
| <p>ALA 300 /IP44</p>  <p>04</p> <p>10.01.94.XY/30</p> | <p>ALA 400 /IP44</p>  <p>04</p> <p>10.01.94.XY/40</p>        | <p>ALA 500 /IP44</p>  <p>05</p> <p>10.01.94.XY/50</p>        | <p>ALA 600 /IP44</p>  <p>05</p> <p>10.01.94.XY/60</p>  | <p>ALA 800 /IP44</p>  <p>05</p> <p>10.01.94.XY/80</p> | <p>IDA 400</p>  <p>05</p> <p>10.01.105.XY/40</p>            | <p>IDA 600</p>  <p>05</p> <p>10.01.105.XY/60</p>  | <p>IDA 900</p>  <p>06</p> <p>10.01.105.XY/90</p>  | <p>IDA 1100</p>  <p>06</p> <p>10.01.105.XY/110</p>                                 | <p>CELINA</p>  <p>06</p> <p>10.01.107.XY</p>                                       | <p>KITCHEN SET</p>  <p>09</p> <p>10.01.125.XY</p>                              | <p>LENA II</p>  <p>13</p> <p>10.01.99.XY</p>                |
| <p>JUNO MOV</p>  <p>15</p> <p>10.01.106.XY/MOV</p>  | <p>JUNO</p>  <p>15</p> <p>10.01.106.XY</p>                 | <p>DOMINO</p>  <p>15</p> <p>10.01.102.XY</p>               | <p>MAYA H/2m</p>  <p>16</p> <p>10.01.72.XY/H/2m</p>  | <p>MINI LENS</p>  <p>17</p> <p>10.01.112.XY</p>     | <p>SILKA USB</p>  <p>19</p> <p>10.01.115.XY/USB</p>       | <p>FLEXI RH</p>  <p>21</p> <p>10.01.104.XY/RH</p>                                     | <p>GABI R/USB</p>  <p>24</p> <p>10.01.88.XY/USB</p>                                   | <p>COMA</p>  <p>26</p> <p>10.01.109.XY</p>                                       | <p>INLINE-L</p>  <p>26</p> <p>10.01.104.XY/RH</p>                                | <p>INLINE</p>  <p>26</p> <p>10.01.92.XY</p>                                  | <p>USB /T CHARGER</p>  <p>28</p> <p>10.05.13.X/T</p>      |
| <p>USB-SWITCH</p>  <p>29</p> <p>10.05.18.X</p>      | <p>NEON 5x13 FLEX</p>  <p>30</p> <p>10.01.89.XY/G/5x13</p> | <p>NEON 8x15 FLEX</p>  <p>30</p> <p>10.01.89.XY/G/8x15</p> | <p>POROFILE 10x20</p>  <p>44</p> <p>10.01.124.XY</p> | <p>POLA M</p>  <p>46</p> <p>10.01.98.XY</p>         | <p>DUO SWITCH PIR</p>  <p>53</p> <p>10.07.08/PIR/DOOR</p> | <p>LED DRIVER IP44 30W</p>  <p>IP44</p> <p>30W</p> <p>57</p> <p>10.04.04/30W/IP44</p> | <p>LED DRIVER IP44 40W</p>  <p>IP44</p> <p>40W</p> <p>57</p> <p>10.04.04/40W/IP44</p> | <p>LED DRIVER 50W</p>  <p>IP20</p> <p>50W</p> <p>58</p> <p>10.04.03/50W/IP20</p> | <p>LED DRIVER 60W</p>  <p>IP20</p> <p>60W</p> <p>58</p> <p>10.04.03/60W/IP20</p> | <p>LED DRIVER US</p>  <p>6W</p> <p>15W</p> <p>59</p> <p>10.04.01/15W/USA</p> | <p>WATCH FOR MIRROR V2</p>  <p>63</p> <p>10.01.103.XY</p> |

Spis obrazkowy / Picture index / Bild Index / содержание в картинках

|   |   |   |   |   |   |  |  |   |   |  |   |  |   |  |
|---|---|---|---|---|---|--|--|---|---|--|---|--|---|--|
| <br>10.04.09.XY<br>01      | <br>10.01.70.X/CLIP<br>03  | <br>10.01.24.XY/30/N<br>03 | <br>10.01.24.XY/60/N<br>03 | <br>10.01.35.XY<br>04      | <br>10.01.70.XY<br>04          | <br>10.01.94.XY/30<br>04       | <br>10.01.94.XY/40<br>04  | <br>10.01.94.XY/50<br>05       | <br>10.01.94.XY/60<br>05       | <br>10.01.94.XY/80<br>05    | <br>10.01.105.XY/40<br>05    | <br>10.01.105.XY/60<br>05     | <br>10.01.105.XY/90<br>06  | <br>10.01.105.XY/1100<br>06 |
| <br>10.01.107.XY<br>06     | <br>10.01.68.XY<br>07      | <br>10.01.90.XY<br>07      | <br>10.01.06.XY<br>07      | <br>10.01.58.XY<br>08      | <br>10.01.58.XY/635<br>08      | <br>10.01.45.XY<br>08          | <br>10.01.44.XY<br>08     | <br>10.01.96.XY<br>08          | <br>10.01.125.XY<br>09         | <br>10.01.48.XY<br>11       | <br>10.01.50.XY<br>11        | <br>10.01.53.XY<br>11         | <br>10.01.101.XY<br>12     | <br>10.01.52.XY<br>12       |
| <br>10.01.20.XY<br>12      | <br>10.01.20.XY/S<br>12    | <br>10.01.36.XY<br>13      | <br>10.01.36.XY/WM<br>13   | <br>10.01.99.XY<br>13      | <br>10.01.99.XY/USB<br>13      | <br>10.01.65.XY<br>14          | <br>10.01.65.XY/DY<br>14  | <br>10.01.65.XY/DYM<br>14      | <br>10.01.106.XY/MOV<br>15     | <br>10.01.106.XY<br>15      | <br>10.01.102.XY<br>15       | <br>10.01.72.XY<br>16         | <br>10.01.72.XY/H/2m<br>16 | <br>10.01.72.XY/H<br>16     |
| <br>10.01.72.XY/DY<br>16   | <br>10.01.30.XY<br>17      | <br>10.01.22.XY<br>17      | <br>10.01.86.XY<br>17      | <br>10.01.112.XY<br>17     | <br>10.01.76.XY<br>17          | <br>10.01.77.XY/DY<br>18       | <br>10.01.79.XY<br>18     | <br>10.01.78.XY<br>18          | <br>10.01.83.XY<br>18          | <br>10.01.84.XY<br>18       | <br>10.01.115.XY/USB<br>19   | <br>10.01.104.XY/RH<br>20     | <br>10.01.104.XY/H<br>21   | <br>10.01.104.XY/RH<br>21   |
| <br>10.01.92.XY<br>21     | <br>10.01.91.XY<br>22     | <br>10.01.39.XY<br>23     | <br>10.01.46.XY<br>23     | <br>10.01.87.XY<br>23     | <br>10.01.88.XY<br>24         | <br>10.01.88.XY/USB<br>24     | <br>10.01.85.XY<br>24    | <br>10.01.56.XY<br>25         | <br>10.01.57.XY<br>25         | <br>10.01.32.XY<br>25      | <br>10.01.60.XY<br>25       | <br>10.01.31.XY<br>25        | <br>10.01.109.XY<br>26    | <br>10.01.104.XY/RH<br>26  |
| <br>10.01.92.XY<br>26    | <br>10.01.71.X/003<br>27 | <br>10.05.13.X<br>28     | <br>10.05.13.X/R<br>28   | <br>10.05.13.X/T<br>28   | <br>10.05.18.X<br>29         | <br>10.01.74.XY<br>29        | <br>10.01.34.XY/G<br>29 | <br>10.01.89.XY/G/8x15<br>30 | <br>10.01.89.XY/G/5x13<br>30 | <br>10.07.07.X<br>30      | <br>10.02.01.XY<br>31      | <br>10.02.02.XY<br>31       | <br>10.02.03.XY<br>31    | <br>10.02.07.XY/2S<br>32  |
| <br>10.02.07.XY/3S<br>32 | <br>10.01.51.XY/3S<br>32 | <br>10.01.19.XY<br>33    | <br>10.01.25.XY/2S<br>33 | <br>10.01.25.XY/3S<br>33 | <br>10.01.25.XY/2S/300<br>34 | <br>10.01.25.XY/3S/300<br>34 | <br>10.01.05.XY<br>34   | <br>10.01.28.XY/200/W<br>35  | <br>10.01.28.XY<br>35        | <br>10.01.26.XY/200<br>35 | <br>10.01.26.XY/200W<br>36 | <br>10.01.26.XY/200WM<br>36 | <br>10.01.26.XY/W<br>36  | <br>10.01.26.XY<br>37     |

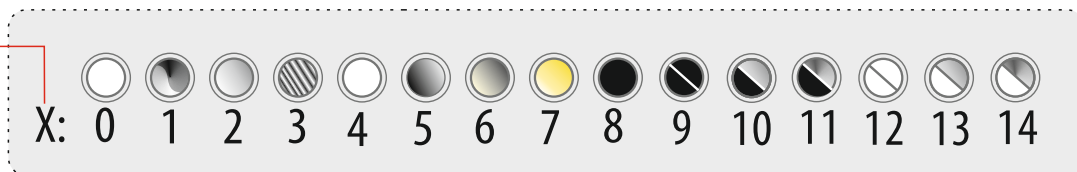
|  |   |  |  |  |  |   |   |  |  |  |  |  |  |  |
|--|---|--|--|--|--|---|---|--|--|--|--|--|--|--|
| <b>PROFILE LM</b><br><br>37<br>10.01.40.XY                      | <b>PROFIL MIRROR</b><br><br>37<br>10.01.100.XY                   | <b>PROFILE LAMBDA</b><br><br>38<br>10.01.27.XY                  | <b>PROFILE AP</b><br><br>38<br>10.01.33.XY                        | <b>PROFILE AP2H</b><br><br>38<br>10.01.33.XY/2H                   | <b>PROFILE KWADRO</b><br><br>39<br>10.01.42.XY                    | <b>PROFILE RONDO</b><br><br>39<br>10.01.41.XY                     | <b>PROFILE 10x5</b><br><br>39<br>10.01.59.XY               | <b>PROFILE 10x10</b><br><br>40<br>10.01.34.XY                   | <b>PROFILE 15x15</b><br><br>40<br>10.01.13.XY                     | <b>PROFILE 15x50</b><br><br>40<br>10.01.14.XY                     | <b>PROFILE 5x17</b><br><br>41<br>10.01.89.XY                      | <b>PROFILE PI 29x15</b><br><br>41<br>10.01.81.XY/29x15            | <b>PROFILE XI 16x7</b><br><br>41<br>10.01.82.XY                   | <b>FRAMEPROFILE 22x16</b><br><br>42<br>10.01.80.XY                |
| <b>PROFILE KT</b><br><br>43<br>10.01.43.XY                      | <b>PROFIL D 15x27</b><br><br>44<br>10.01.66.XY/D                 | <b>PROFIL GAMA</b><br><br>44<br>10.01.06.XY                     | <b>PROFIL 10x20</b><br><br>44<br>10.01.124.XY                     | <b>RONDO D</b><br><br>45<br>10.01.62.XY/D                         | <b>RONDO S</b><br><br>45<br>10.01.61.XY/S                         | <b>MIRROR</b><br><br>46<br>10.01.73.Y/700x850                     | <b>POLA S</b><br><br>46<br>10.01.97.XY                     | <b>POLA M</b><br><br>46<br>10.01.98.XY                          | <b>SWITCH 4LED FOR MIRROR</b><br><br>47<br>10.05.09/4LED          | <b>SWITCH FOR CHIPBOARD</b><br><br>47<br>10.05.10                 | <b>SWITCH FOR MIRROR</b><br><br>47<br>10.05.09                    | <b>SWITCH STICK</b><br><br>47<br>10.04.15.X                       | <b>SWITCH MINI</b><br><br>48<br>20.04.02.X/mini<br>Ø15            | <b>SWITCH</b><br><br>48<br>20.04.02<br>Ø20                        |
| <b>SWITCH IP44</b><br><br>48<br>20.04.02/IP44<br>Ø20            | <b>SWITCH FI 22</b><br><br>48<br>10.05.14                        | <b>SWITCH WITH DIMMER</b><br><br>49<br>10.05.06/CH              | <b>SWITCH WITH MOTION SENSOR</b><br><br>49<br>10.06.02            | <b>TOUCH SWITCH</b><br><br>49<br>10.06.01/3                       | <b>SWITCH FOR DOOR</b><br><br>50<br>10.05.11/D                    | <b>SWITCH FOR MOVEMENT</b><br><br>50<br>10.05.11/M.               | <b>SWITCH PIR</b><br><br>50<br>10.05.11/PIR                | <b>BED SWITCH M</b><br><br>51<br>10.05.16.X/M.                  | <b>BED SWITCH L</b><br><br>51<br>10.05.16.X/L                     | <b>BED SWITCH DUO</b><br><br>51<br>10.05.16.X/DUO                 | <b>DUO SWITCH NORMAL</b><br><br>52<br>10.07.08/NORMAL             | <b>DUO SWITCH PIR</b><br><br>53<br>10.07.08/PIR/DOOR              | <b>SOCKET SWITCH SWITCH</b><br><br>54<br>20.04.01/IP44 F          | <b>SOCKET SWITCH SWITCH</b><br><br>54<br>20.04.01/F               |
| <b>KOMBIBOX 2</b><br><br>55<br>20.04.16/230V                    | <b>KOMBIBOX 3</b><br><br>55<br>20.04.19/230V                     | <b>LED DRIVER IP44 8W</b><br><br>56<br>10.04.04/8W/IP44<br>IP44 | <b>LED DRIVER IP44 15W</b><br><br>56<br>10.04.04/15W/IP44<br>IP44 | <b>LED DRIVER IP44 20W</b><br><br>56<br>10.04.04/20W/IP44<br>IP44 | <b>LED DRIVER IP44 30W</b><br><br>57<br>10.04.04/30W/IP44<br>IP44 | <b>LED DRIVER IP44 40W</b><br><br>57<br>10.04.04/40W/IP44<br>IP44 | <b>IP44 CONNECTOR</b><br><br>57<br>10.05.05/2/IP44<br>IP44 | <b>LED DRIVER IP20 8W</b><br><br>58<br>10.04.03/8W/IP20<br>IP20 | <b>LED DRIVER IP20 15W</b><br><br>58<br>10.04.03/15W/IP20<br>IP20 | <b>LED DRIVER IP20 30W</b><br><br>58<br>10.04.03/30W/IP20<br>IP20 | <b>LED DRIVER IP20 40W</b><br><br>58<br>10.04.03/40W/IP20<br>IP20 | <b>LED DRIVER IP20 50W</b><br><br>58<br>10.04.03/50W/IP20<br>IP20 | <b>LED DRIVER IP20 60W</b><br><br>58<br>10.04.03/60W/IP20<br>IP20 | <b>LED DRIVER EU</b><br><br>59<br>10.04.01/6W<br>6W<br>15W<br>36W |
| <b>LED DRIVER UK</b><br><br>59<br>10.04.01/15W/UK<br>6W<br>15W | <b>LED DRIVER US</b><br><br>59<br>10.04.01/15W/USA<br>6W<br>15W | <b>RGB CONTROLLER IR2x</b><br><br>60<br>10.04.05/2RGB2K        | <b>RGB CONTROLLER IR</b><br><br>60<br>10.04.05                   | <b>MINI RGB CONTROLLER</b><br><br>60<br>10.04.06                 | <b>RF101 DIMMER SWITCH</b><br><br>61<br>10.04.08                 | <b>PANEL RGB</b><br><br>61<br>10.04.07                           | <b>LED DRIVER + DIMMER</b><br><br>61<br>10.07.05          | <b>RGB CONTROLLER 4SOCKET</b><br><br>62<br>10.05.04/4RGB       | <b>RGB CONTROLLER 9SOCKET</b><br><br>62<br>10.05.04/9RGB         | <b>LED CONTROLLER 3SOCKET</b><br><br>62<br>10.05.05/3LED         | <b>LED CONTROLLER 6SOCKET</b><br><br>62<br>10.05.05/6LED         | <b>LED CONTROLLER 10SOCKET</b><br><br>62<br>10.05.05/10LED       | <b>WATCH FOR MIRROR</b><br><br>63<br>10.05.12.XY                 | <b>WATCH FOR MIRROR V2</b><br><br>63<br>10.01.103.XY             |
| <b>ROUND</b><br><br>64<br>10.01.17.XY                         | <b>ROUND DY</b><br><br>64<br>10.01.17.XY/DY                    | <b>KOLOS LED</b><br><br>64<br>10.01.75.XY                     | <b>FLEXIBLE LED TAPE</b><br><br>64                              |  |  |   |   |  |  |  |  |  |  |  |

**ANNA**

← nazwa produktu/product name/produktname/название продукта

10.01.01.XY

↑  
indeks/index/  
index/индекс



**Kolor obudowy / HOUSING color / gehausefarbe /цвет корпуса:**

- transparentny / transparent / transparente /прозрачный /
- chrom / chrome / chrom /хром /
- aluminium/ aluminium / aluminium /алюминий /
- inox /inox /inox /inox /
- biały / white / weiß / белый /
- biały opal/ white opal / opal weiss /белый опал /
- satyna / satin / nickel mat /атласа
- złoto / gold / gold /золото /
- czarny / black / schwarz / черный /
- czarny/czarny || black/black || schwarz/schwarz || черный/черный ||
- czarny/aluminium || black/aluminium || schwarz/aluminium || черный/алюминий ||
- czarny/chrom || black/chrome || schwarz/chrom || черный/хром ||
- biały/biały || white/white || weiß/weiß || белый/белый ||
- biały/aluminium || white/aluminium || weiß/aluminium || белый/алюминий ||
- biały/chrom || white/chrome || weiß/chrom || белый/хром ||

**Kolor światła / light color / lichtfarbe /цвет света:**

- biały zimny / cold white / kaltweiß /холодный белый
- biały ciepły / warm white / warmweiß /теплый белый
- niebieski / blue/ blau /синий
- zielony / green / grün /зеленый
- czerwony / red / rot /красный
- żółty / yellow / gelb /желтый
- rgb
- biały 4200K/white 4200K/ weiß 4200K/белый 4200K
- różowy / pink/ pink / розовый



Zasilanie[V] / Power supply [V] / Spannung [V] / питание [V]



Liczba diód LED/ moc [W] // LED pcs. / Power [W] // Anzahl der LEDs [st.] / Leistung [W] // количество LED диодов / мощность [W]



Długość kabla [m]/ wtyczka LED mini // Cable length [m] / Mini-LED Plug // Kabellänge [m] / Mini-LED Stecker // длина кабеля [m]/



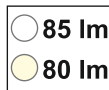
Moc transformatora [W] / Transformer power [W] / Netztrafo Leistung [W] / мощность трансформатора [W]



Moc dopuszczalna obciążenia wyłącznika [W] / Switch max. power [W] / Endschalter max Belastung [W] / максимально допустимая мощность [W]



Długość kabla [m] / wtyczka sieciowa 230V // Cable length [m]/230V AC Plug //Kabellänge [m] /230V AC Plug // длина кабеля [m] / 230V AC вилку



Strumień świetlny / luminous flux / Lichtstrom / мощность потока



Zarejestrowany wzór wspólnotowy /Registered Community design /Gemeinschaftsgeschmacksmusters  
/зарегистрировано дизайн Сообщества



RoHS



Produkty spełniają wymagania wg zastosowania/

The products meet the requirements for use/

Die Produkte erfüllen die Anforderungen für den Einsatz/

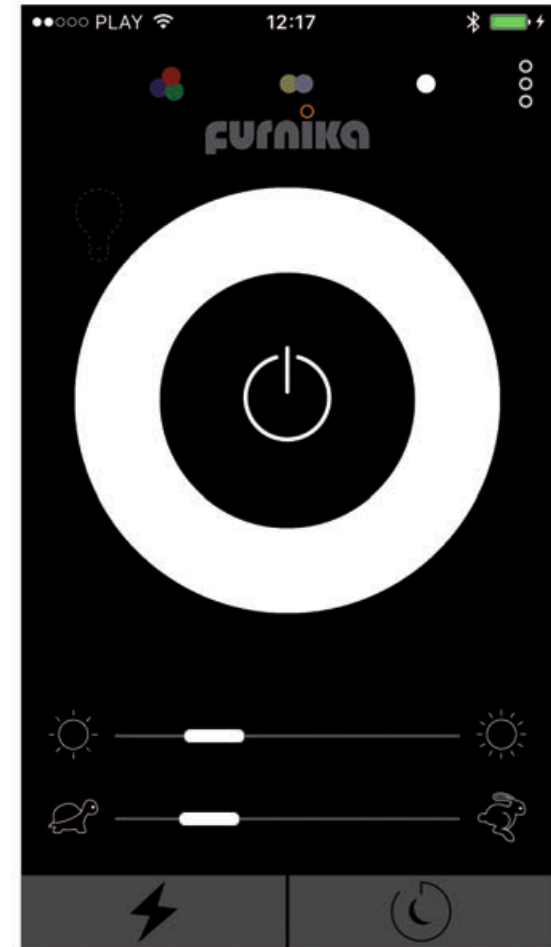
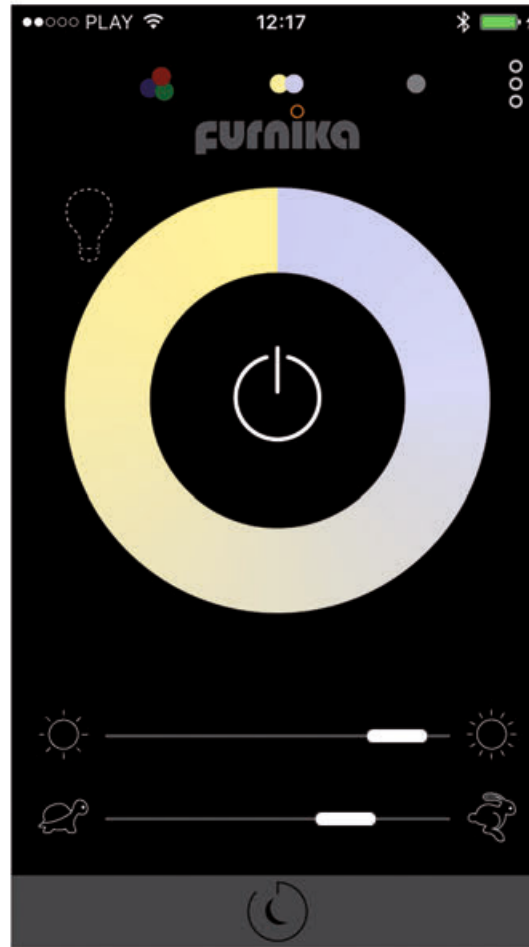
Изделия соответствуют требованиям для использования

**PL - Katalog zawiera zdjęcia i opisy które stanowią informację handlową i nie stanowią oferty handlowej w rozumieniu prawa.**

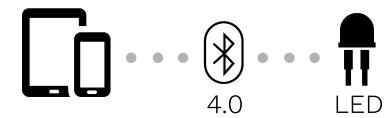
**EN - The catalog contain photos and descriptions which constitute commercial information and they do not constitute a commercial offer within the law meaning.**

**DE - Änderungen in Programm, Material, Ausführungen, Farben, Abmessungen und drucktechnisch bedingen Farbabweichungen bleiben vorbehalten**

**RU - Каталог содержит фотографии, технические описания и др. характеристики продуктов. В свете права каталог не является коммерческим предложением**

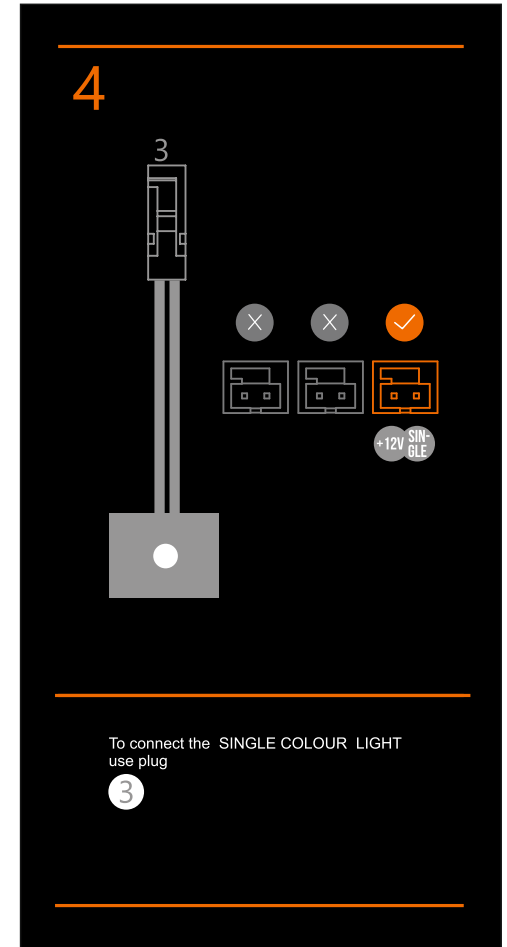
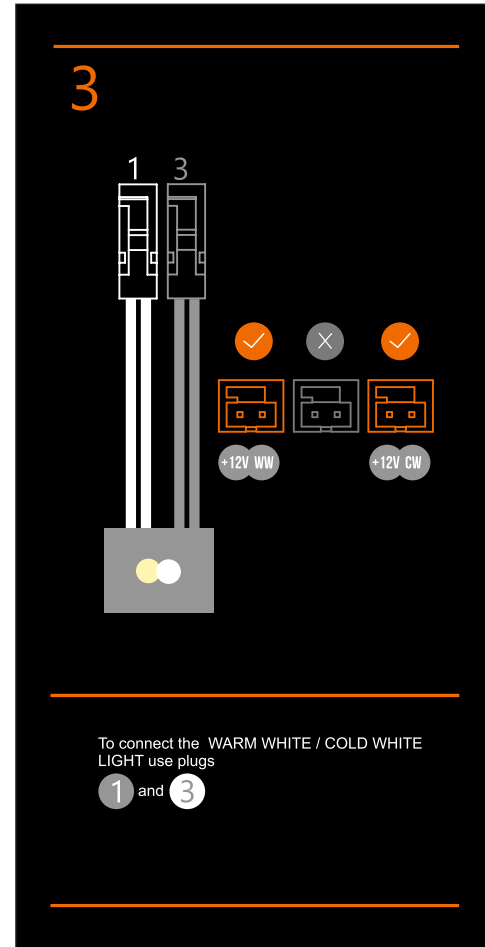
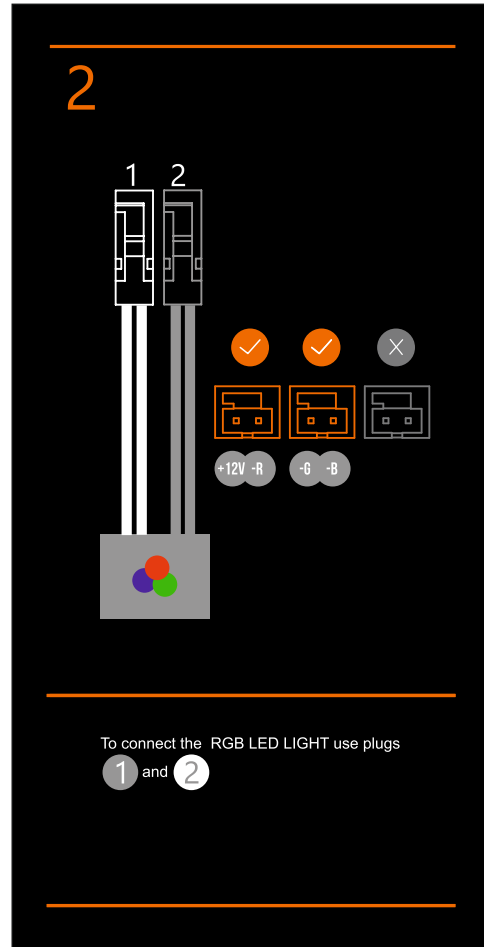
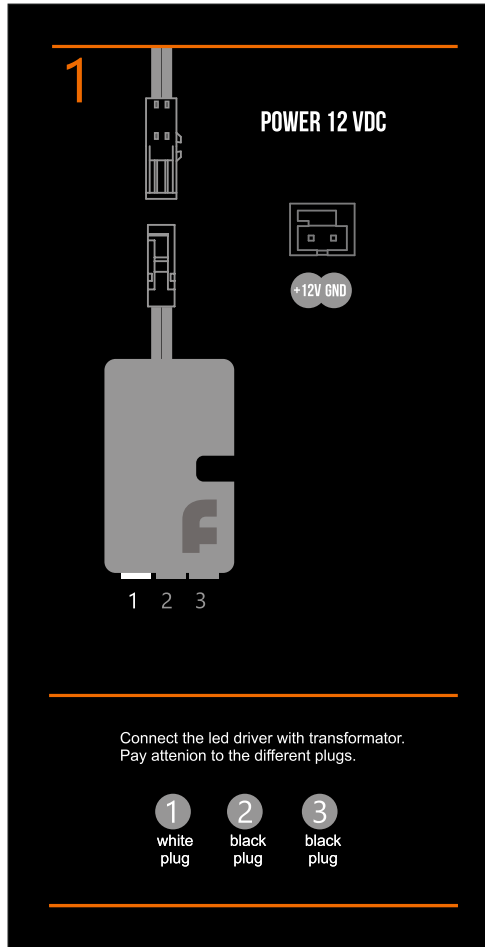


Match the light  
to your mood  
with **Furnika LED.**



iOS  
Android





**OUTPUT 12V<sub>DC</sub>**

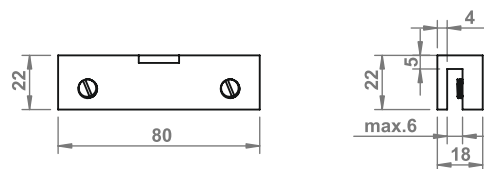
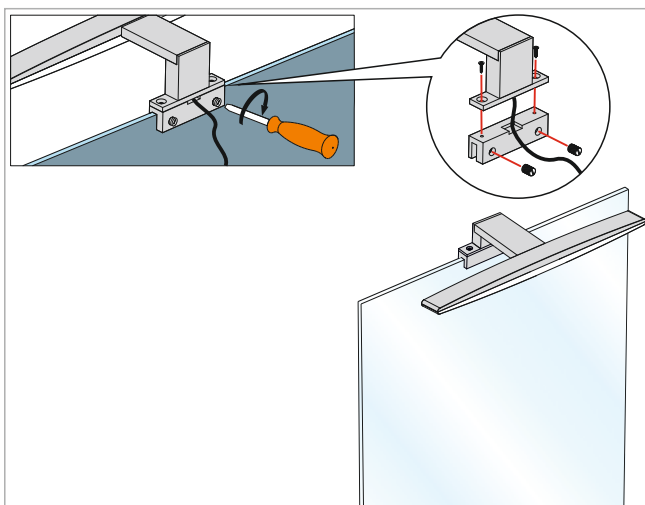


**INPUT 12V<sub>DC</sub>**



**CLIP - ELLI/ANNA/AGNES/ALA**

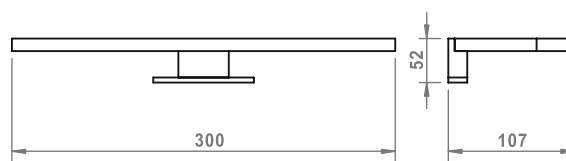
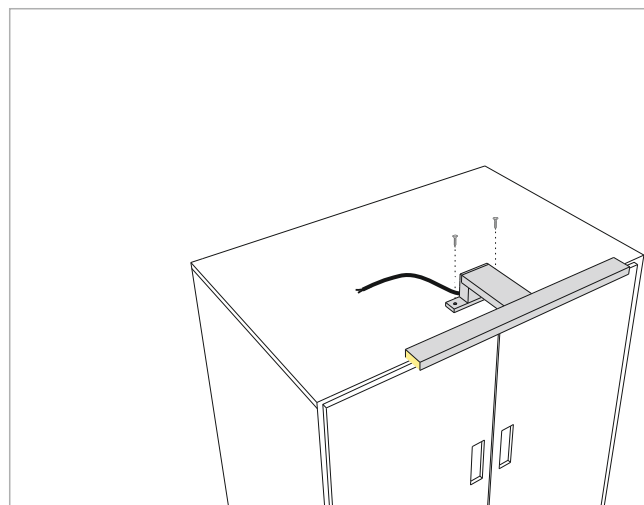
10.01.70.X/CLIP X: 1 ● 2 ○



**ANNA N /IP44**

10.01.24.XY/30/N X: 1 ● 2 ○ Y: 1 ○ 2 ○

- A+
- A+**
- A
- B
- C
- D
- E

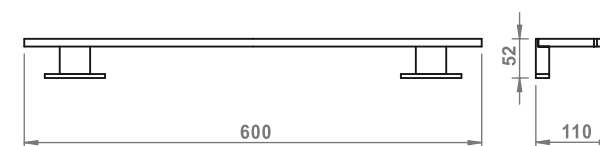
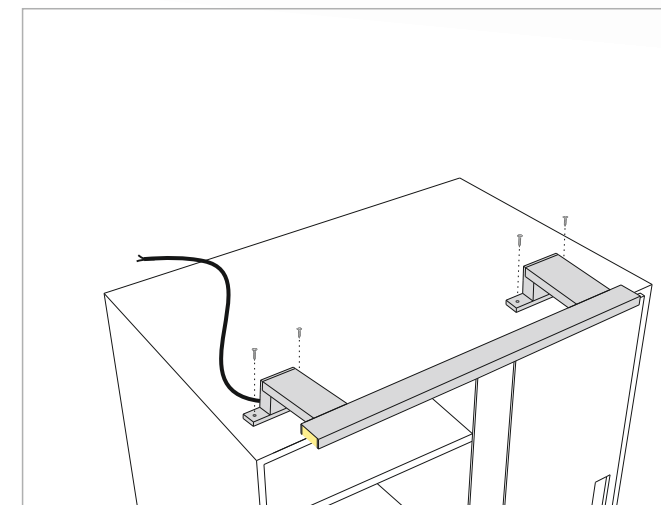


AC 230V 72 LED 5,0W 0,3m IP44 350 lm EAC

**ANNA N 60 /IP44**

10.01.24.XY/60/N X: 1 ● 2 ○ Y: 1 ○ 2 ○

- A+
- A+**
- A
- B
- C
- D
- E

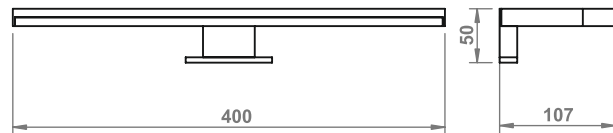
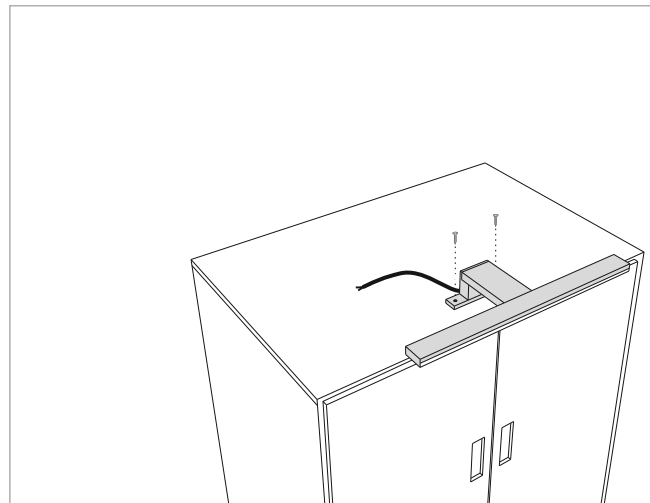


AC 230V 144 LED 8,5W 0,3m IP44 720lm EAC

**AGNES /IP44**

10.01.35.XY X: 1 ● 2 ○ Y: 1 ○ 2 ○

- A++
- A+
- A**
- B
- C
- D
- E

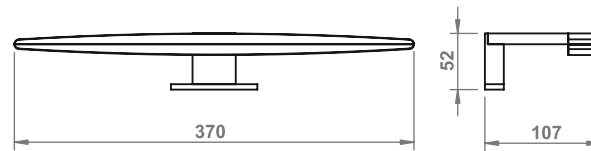
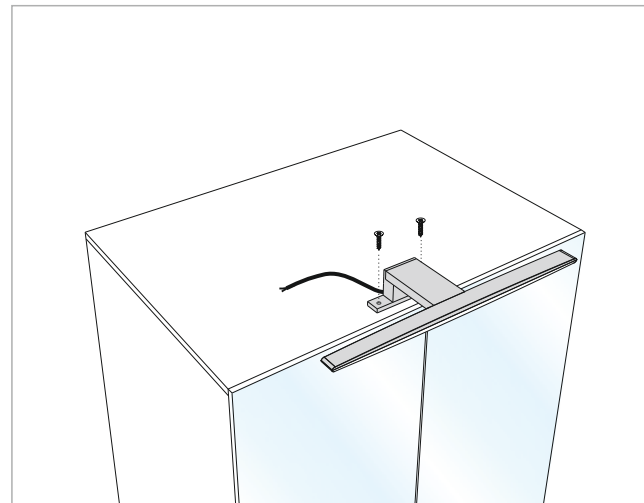


|         |                |      |      |        |     |
|---------|----------------|------|------|--------|-----|
| AC 230V | 46 LED<br>10 W | 0,3m | IP44 | 500 lm | ERC |
|---------|----------------|------|------|--------|-----|

**ELLI /IP44**

10.01.70.XY X: 1 ● 2 ○ Y: 1 ○ 8 ○

- A++
- A+**
- A
- B
- C
- D
- E



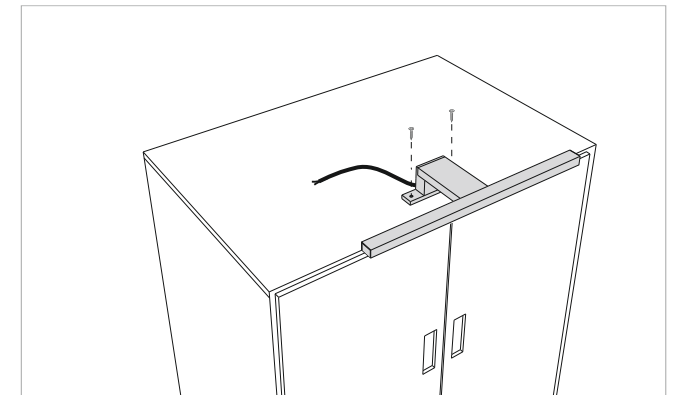
|         |                |        |      |        |     |     |    |
|---------|----------------|--------|------|--------|-----|-----|----|
| AC 230V | 72 LED<br>5,0W | 0,26 m | IP44 | 440 lm | ERC | TUV | GS |
|---------|----------------|--------|------|--------|-----|-----|----|

**ALA 300 IP44 || ALA 400 IP44**

10.01.94.XY X: 1 ● 2 ○ 8 ● Y: 1 ○ 2 ○ 8 ○

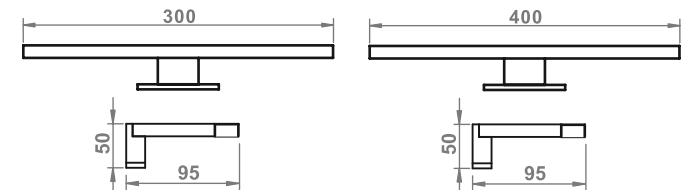
**NEW  
2019**

- A++
- A+
- A**
- B
- C
- D
- E



**ALA 300 /IP44**  
10.01.94.XY/30

**ALA 400 /IP44**  
10.01.94.XY/40



|         |                |      |      |     |
|---------|----------------|------|------|-----|
| AC 230V | 36 LED<br>2,5W | 0,3m | IP44 | ERC |
|---------|----------------|------|------|-----|

|         |                |      |      |     |
|---------|----------------|------|------|-----|
| AC 230V | 36 LED<br>3,3W | 0,3m | IP44 | ERC |
|---------|----------------|------|------|-----|

ALA 500 IP44 || ALA 600 IP44

NEW  
2019

10.01.94.XY X: 1 ● 2 ○ 8 ● Y: 1 ○ 2 ○ 8 ○

- A<sup>++</sup>
- A<sup>+</sup>
- A**
- B
- C
- D
- E



ALA 800 IP44

NEW  
2019

10.01.94.XY/80 X: 1 ● 2 ○ 8 ● Y: 1 ○ 2 ○ 8 ○

- A<sup>++</sup>
- A<sup>+</sup>
- A**
- B
- C
- D
- E

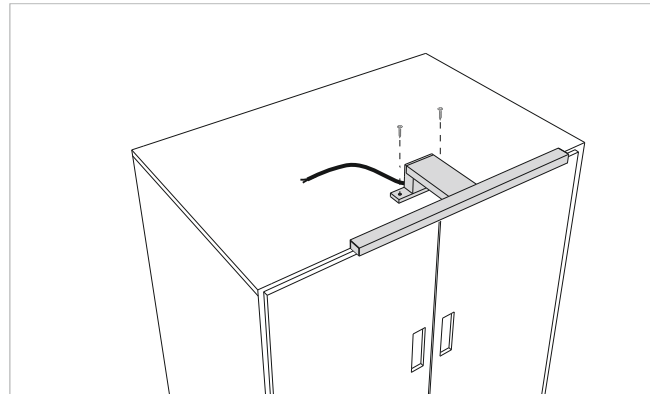


IDA 400 || IDA 600

NEW  
2019

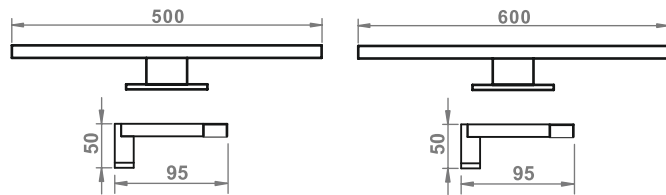
10.01.105.XY X: 1 ● 2 ○ Y: 1 ○ 2 ○

- A<sup>++</sup>
- A<sup>+</sup>**
- A
- B
- C
- D
- E



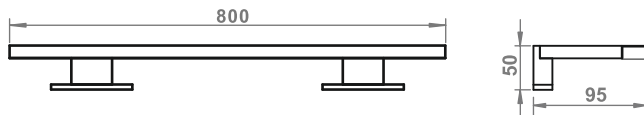
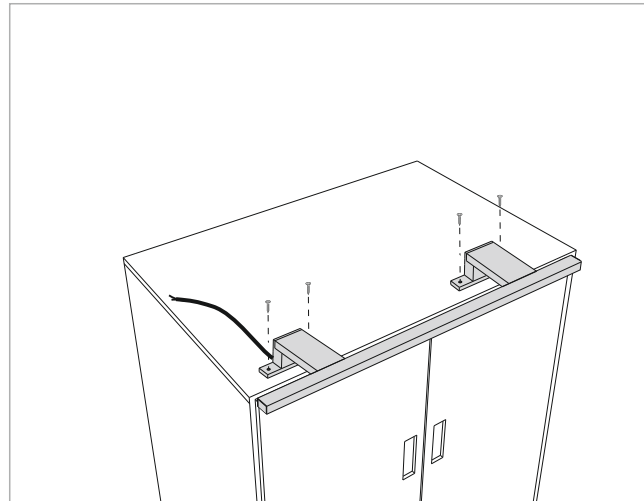
ALA 500 /IP44  
10.01.94.XY/50

ALA 600 /IP44  
10.01.94.XY/60

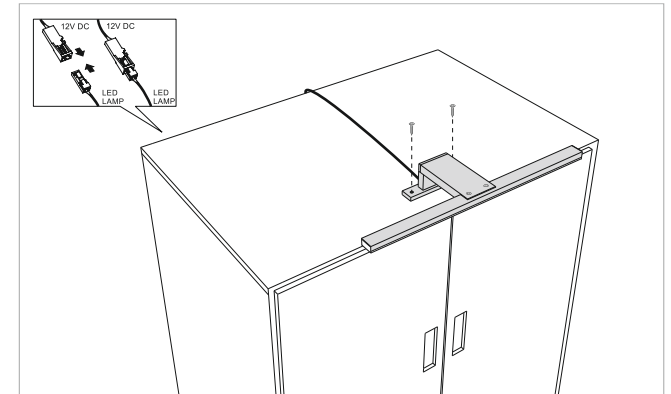


|         |      |      |
|---------|------|------|
| AC 230V | 4,2W | 0,3m |
| IP44    | EAC  |      |

|         |      |      |
|---------|------|------|
| AC 230V | 5,0W | 0,3m |
| IP44    | EAC  |      |

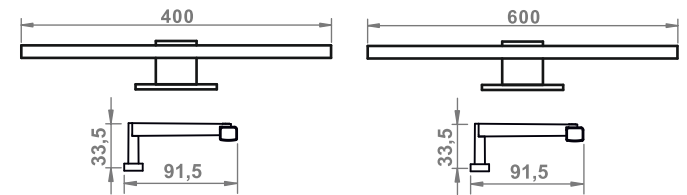


|         |      |      |      |        |     |
|---------|------|------|------|--------|-----|
| AC 230V | 6,5W | 0,3m | IP44 | 370 lm | EAC |
|---------|------|------|------|--------|-----|



IDA 400  
10.01.105.XY/40

IDA 600  
10.01.105.XY/60



|        |      |     |
|--------|------|-----|
| 12V DC | 3,5W | 2m  |
| 345 lm | EAC  | III |

|        |      |     |
|--------|------|-----|
| 12V DC | 5,3W | 2m  |
| 530 lm | EAC  | III |

**IDA 900**

**NEW 2019**

10.01.105.XY/90 X: 1 ● 2 ○ Y: 1 ○ 2 ○

- A<sup>+</sup>
- A<sup>+</sup>**
- A
- B
- C
- D
- E



**IDA 1100**

**NEW 2019**

10.01.105.XY/110 X: 1 ● 2 ○ Y: 1 ○ 2 ○

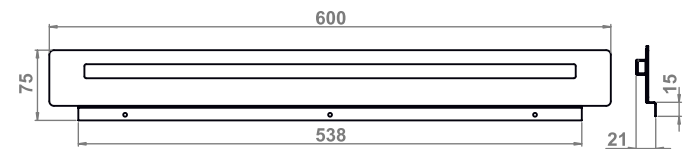
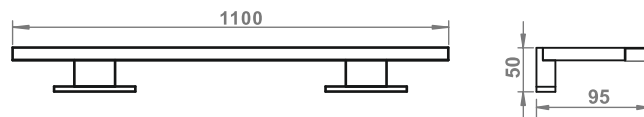
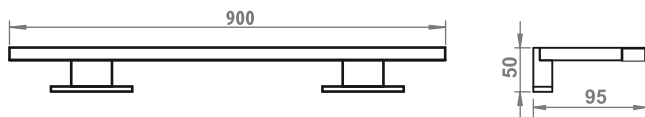
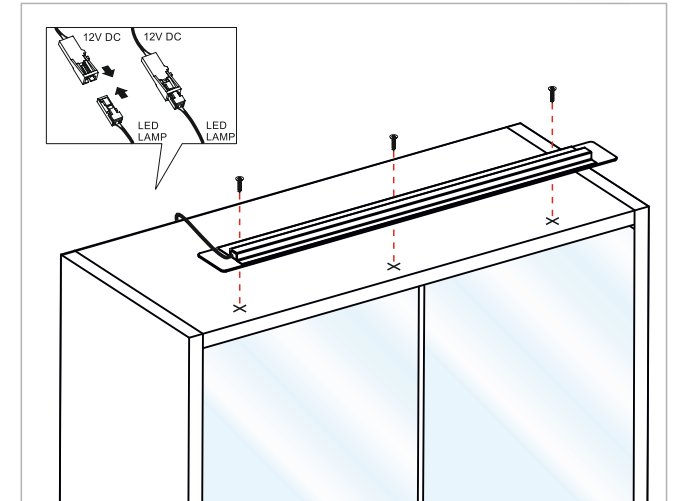
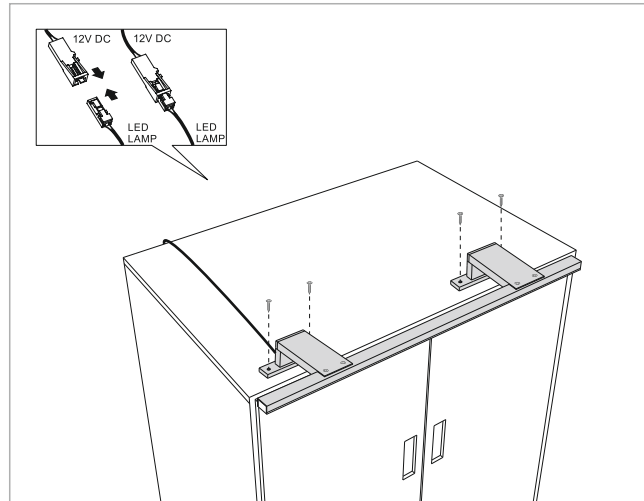
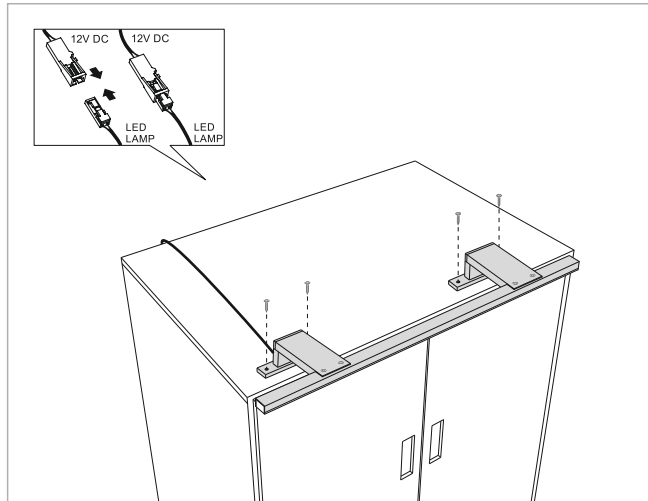
- A<sup>+</sup>
- A<sup>+</sup>**
- A
- B
- C
- D
- E



**CELINA**

**NEW 2019**

10.01.107.XY X: 4 ○ 8 ● Y: 1 ○ 2 ○ 8 ○



12V DC 8,1W 805lm 2m III EAC

12V DC 9,7W 990lm 2m III EAC

12V DC 4,9W 280lm 2m IP20 III EAC

**BRITA**

10.01.68.XY X: 2  Y: 1  2  3  4  5  6  7

- A++
- A+
- A**
- B
- C
- D
- E



**LINEA**

10.01.90.XY X: 2  Y: 1  2  8

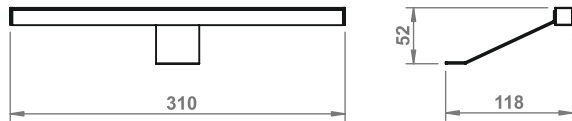
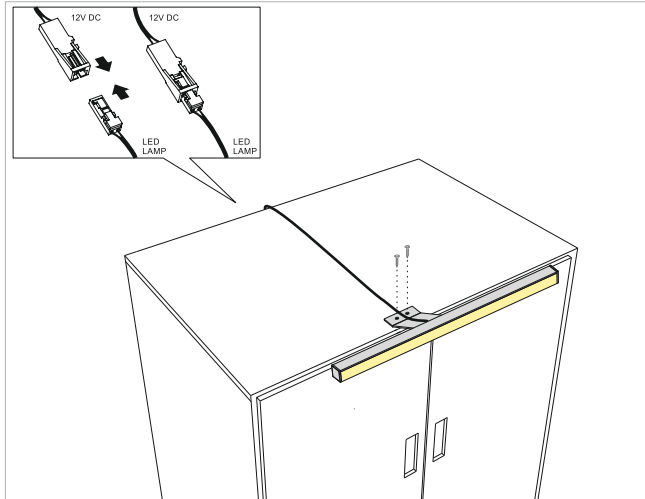
- A++
- A+
- A**
- B
- C
- D
- E



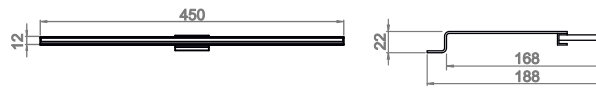
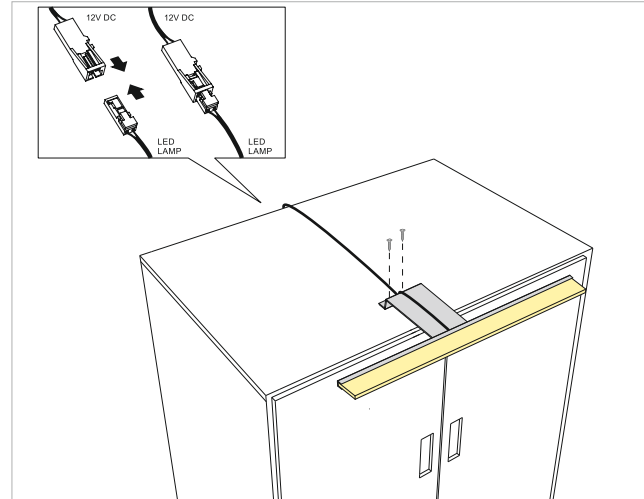
**GAMA 2**

10.01.06.XY/W X: 2  Y: 1  2

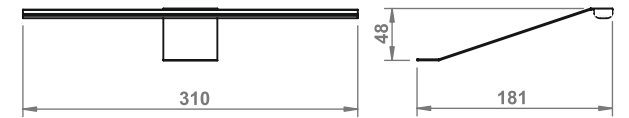
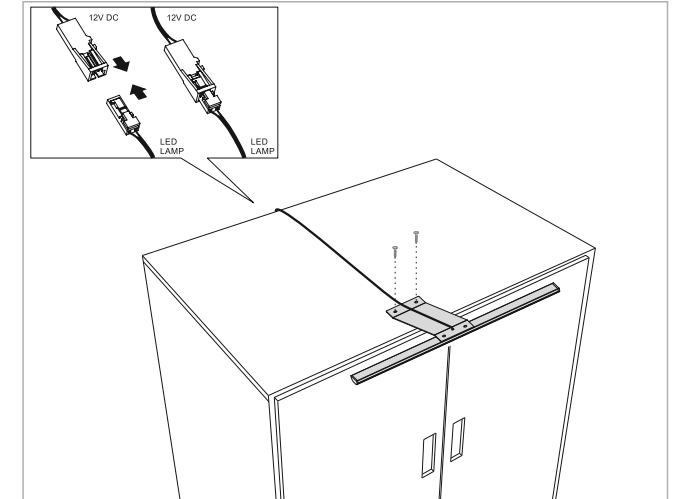
- A++
- A+
- A**
- B
- C
- D
- E



12V<sub>DC</sub>
 36 LED
  3,0W
  136 lm
  2m
  IP20
  III
  EAC



12V<sub>DC</sub>
 54 LED
  5,0W
  2m
  280 lm
  IP20
  III
  EAC

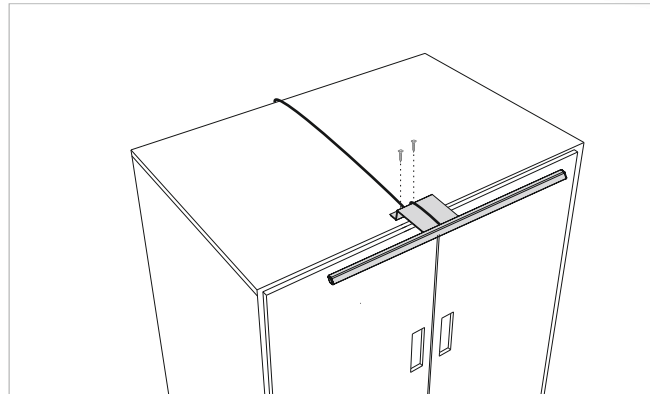


12V<sub>DC</sub>
 18 LED
  4,32W
  2m
  200lm
  III
  EAC

## STELLA

10.01.58.XY X: 2 4 8 Y: 1 2 8

A++  
A+  
**A**  
B  
C  
D  
E



**STELLA 635**  
10.01.58.XY/635



**STELLA**  
10.01.58.XY



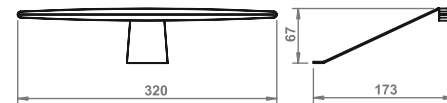
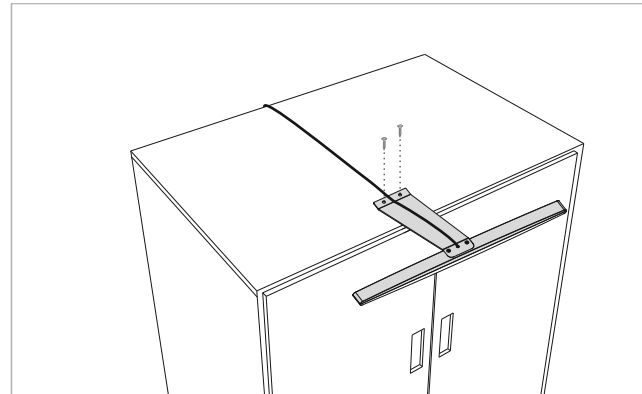
## ELIPSA 1 /IP44

10.01.45.XY X: 1 2 4 8 Y: 1 2 8

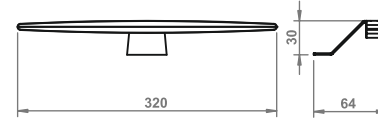
A++  
**A+**  
A  
B  
C  
D  
E



**ELIPSA 2 /IP44**  
10.01.44.XY



**ELIPSA 1**  
10.01.45.XY

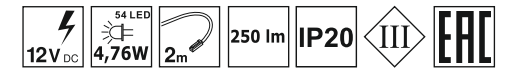
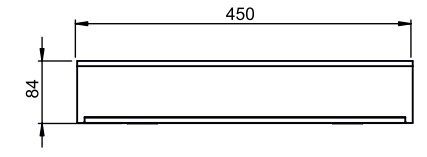
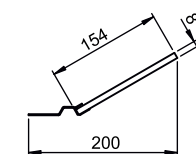
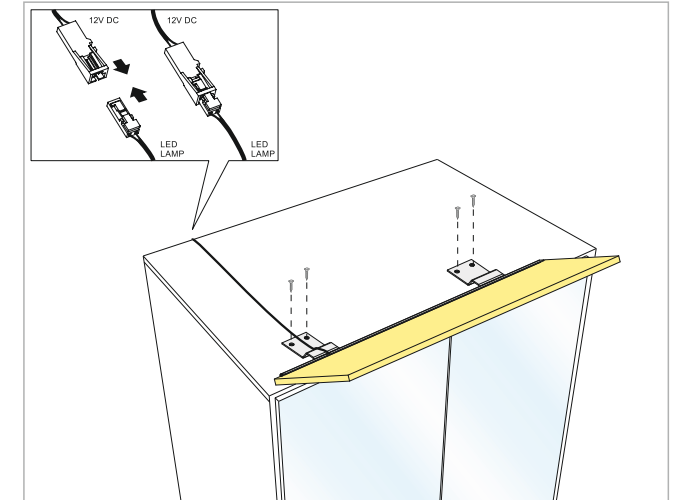


**ELIPSA 2**  
10.01.44.XY



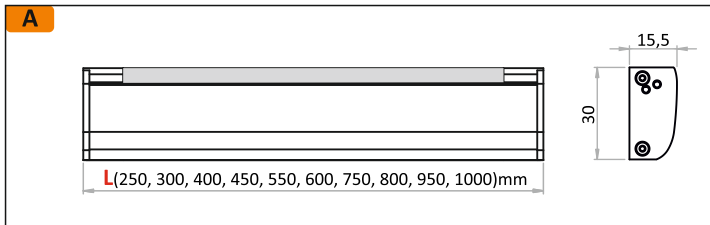
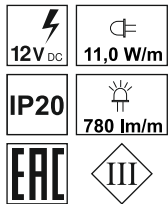
## ALICE

10.01.96.XY X: 2 Y: 1 2 8

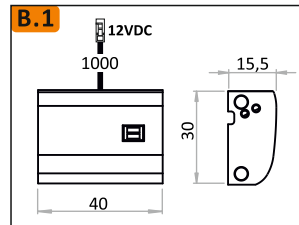




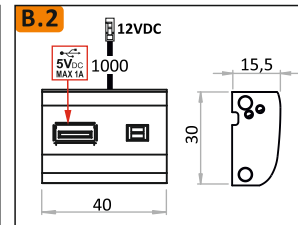
**Profil Set**  
10.01.125.XY/Lmm



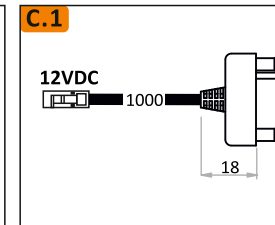
**Movement**  
10.01.125.XY/MOV



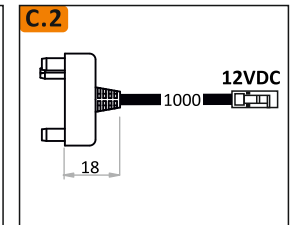
**Movement+USB**  
10.01.125.XY/MOV/USB



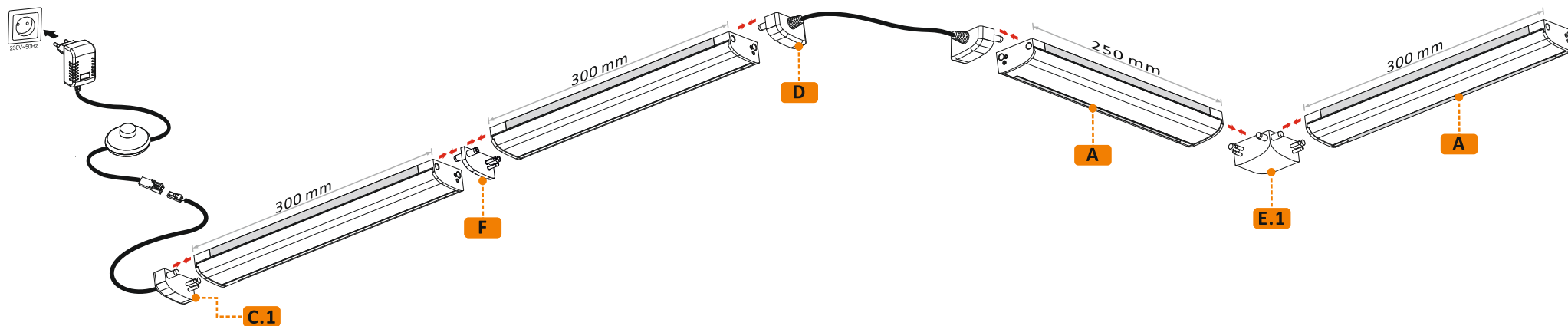
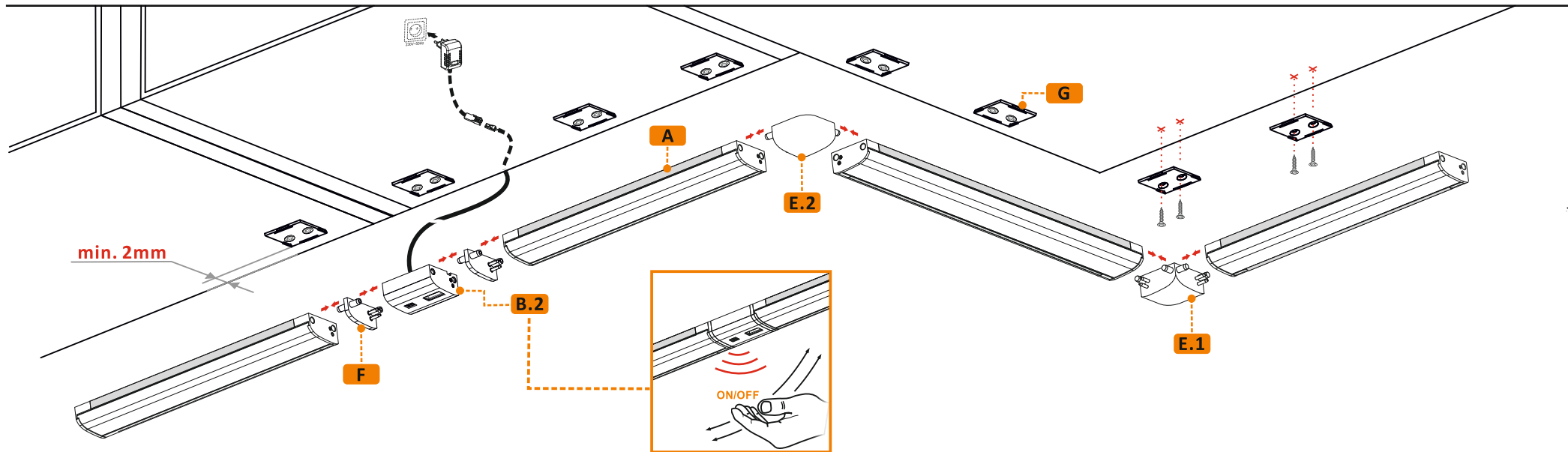
**Connector 5**  
**Left with cable**  
10.01.125.XY/CON5



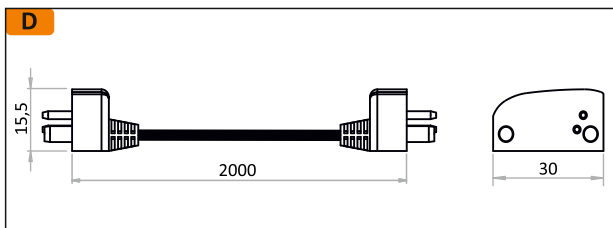
**Connector 6**  
**Right with cable**  
10.01.125.XY/CON6



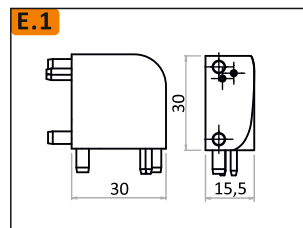




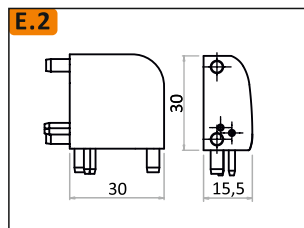
**Connector 3 - 2m**  
10.01.125.XY/CON3/2m



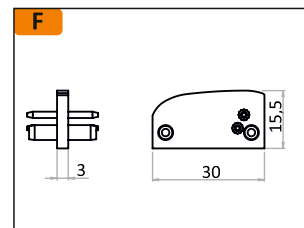
**Left Connector**  
10.01.125.XY/LC



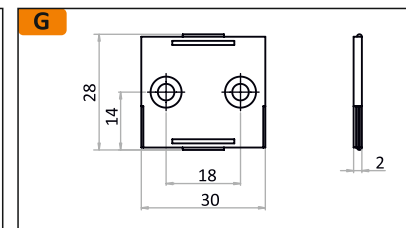
**Right Connector**  
10.01.125.XY/RC



**Connector 2**  
10.01.125.XY/CON2



**Mounting plate**  
10.01.125.XY/MP



### NIKKA SWITCH

10.01.48.XY X: 2 4 8 Y: 1 2 8



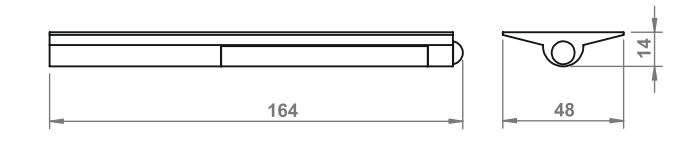
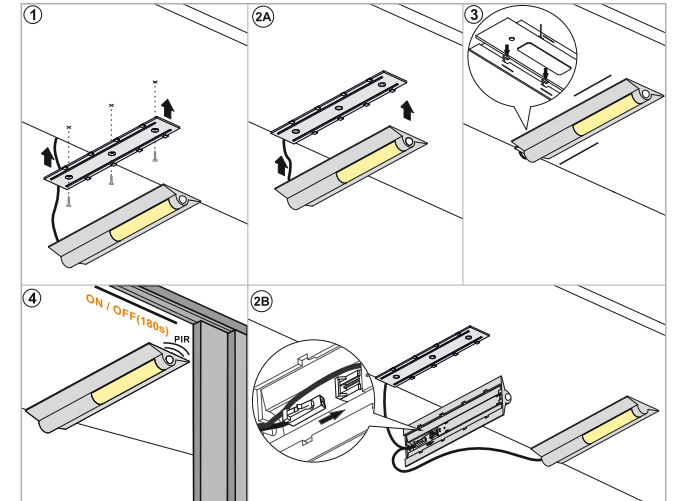
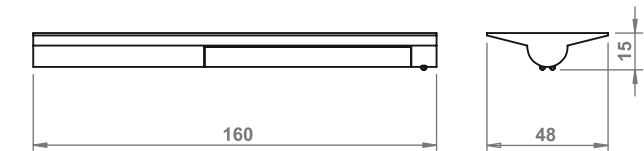
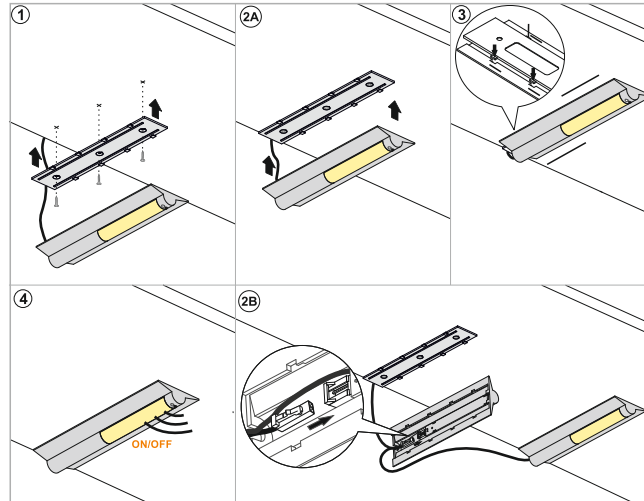
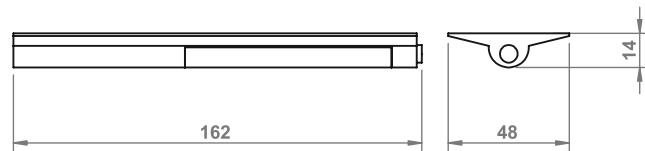
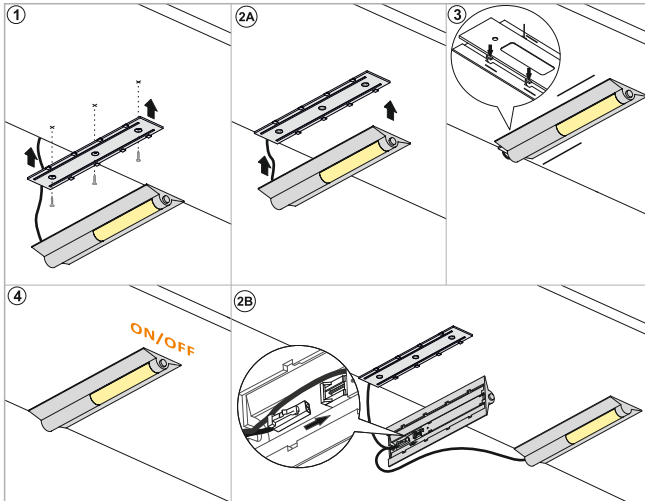
### NIKKA MOVEMENT

10.01.50.XY X: 2 4 8 Y: 1 2 8



### NIKKA PIR

10.01.53.XY X: 2 4 8 Y: 1 2 8



### NIKKA DOOR

10.01.101.XY X: 2 4 8 Y: 1 2 8



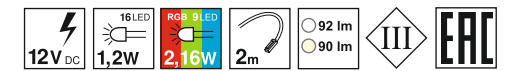
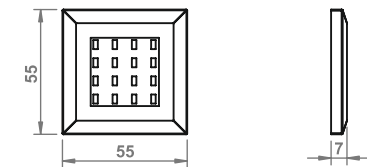
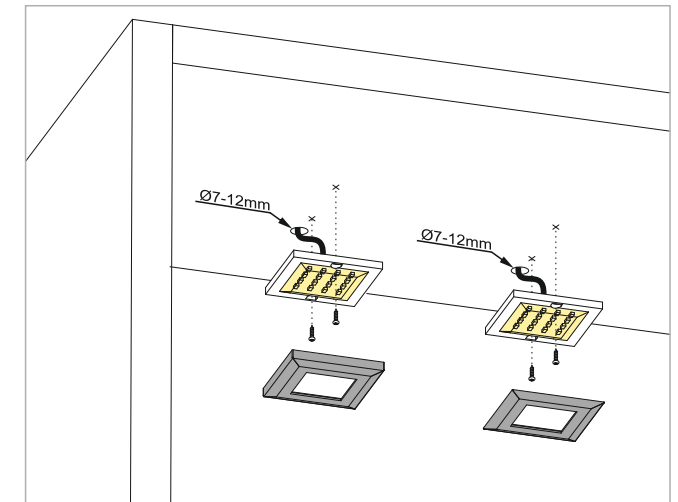
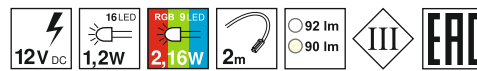
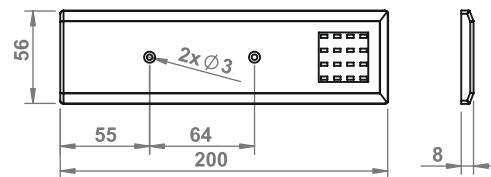
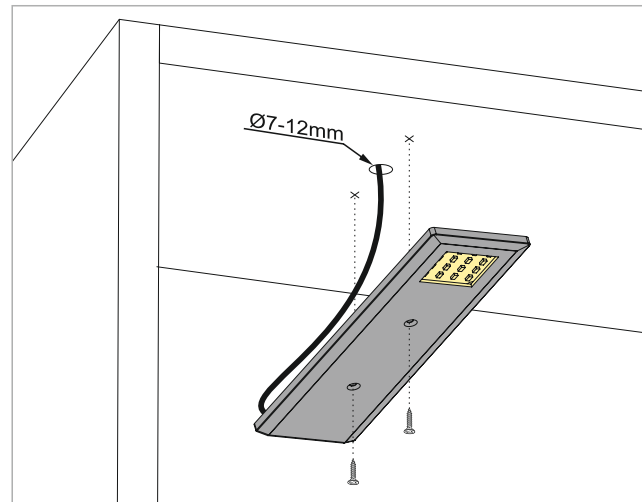
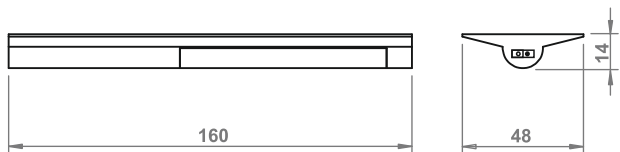
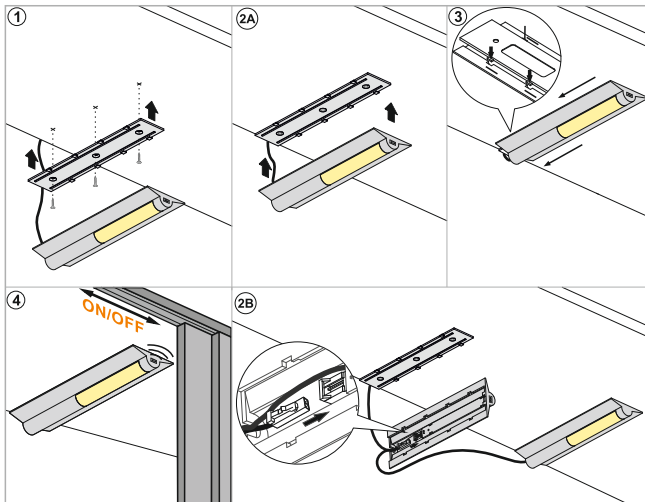
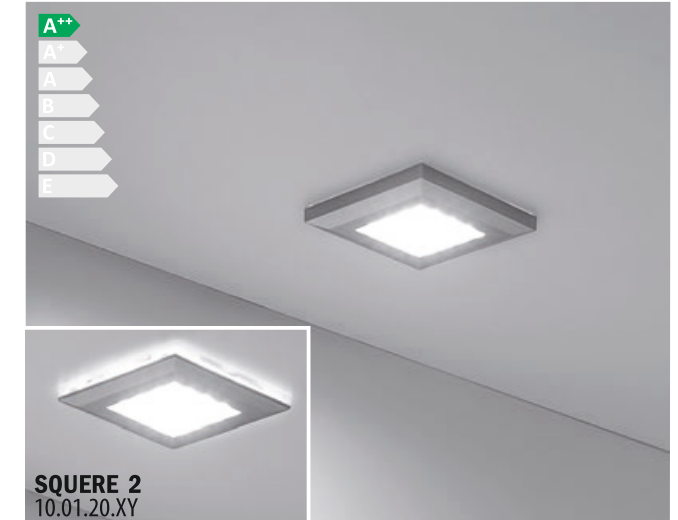
### NEO 2

10.01.52.XY X: 2 Y: 1 2 3 7 8



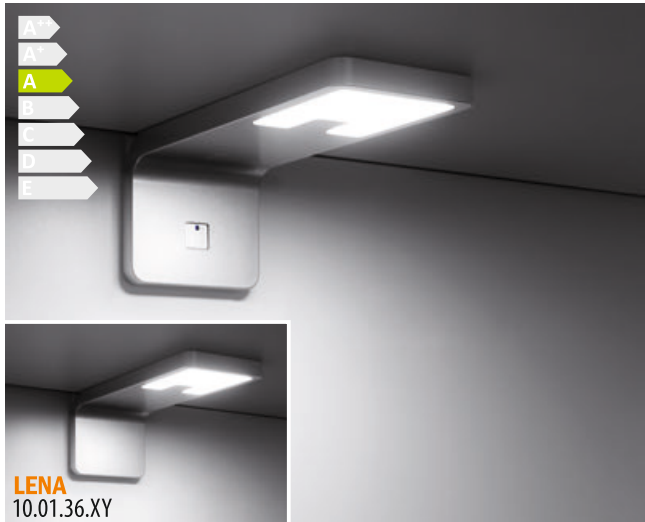
### SQUERE 2S

10.01.20.XY/S X: 2 Y: 1 2 3 7 8



### LENA MASTER SWITCH

10.01.36.XY/WM X: 2 4 8 Y: 1 8



### LENA II USB

10.01.99.XY/USB X: 10 11 13 14 Y: 8

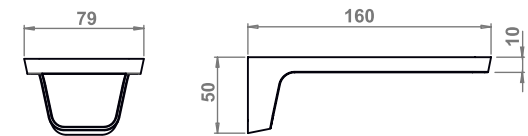
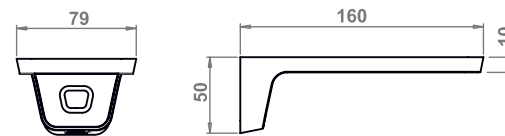
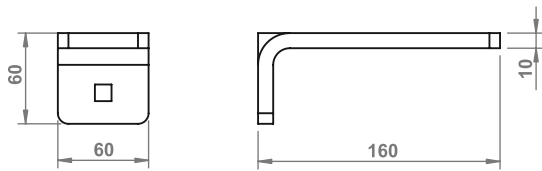
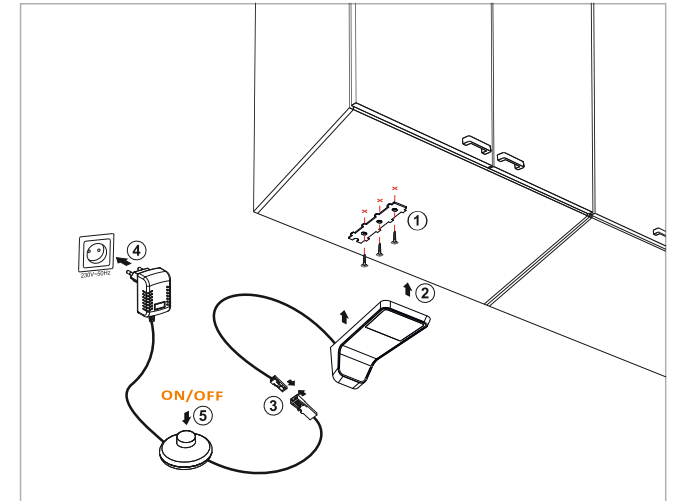
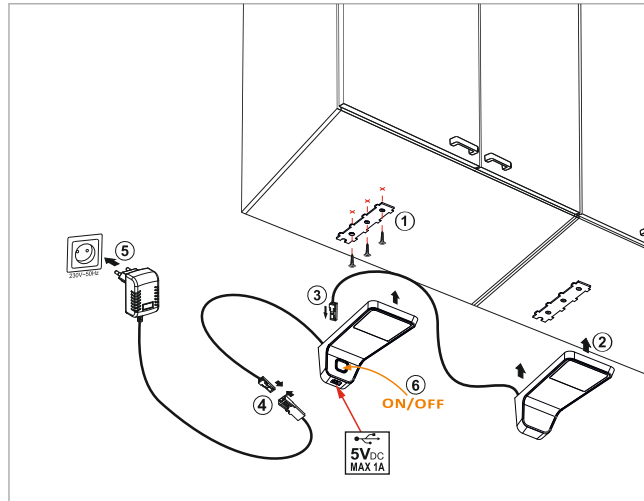
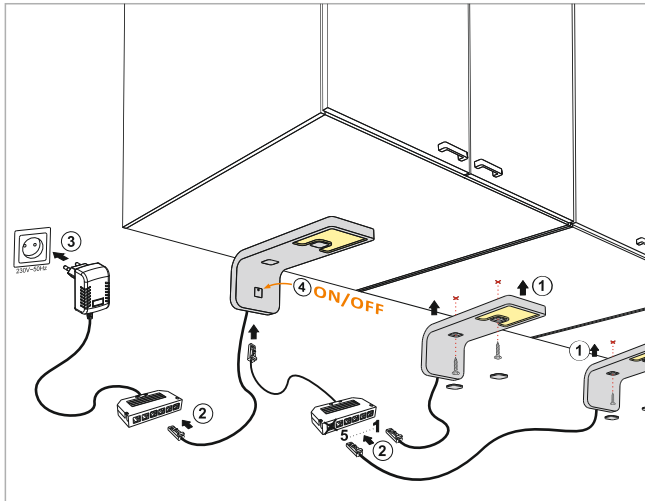
NEW 2019



### LENA II

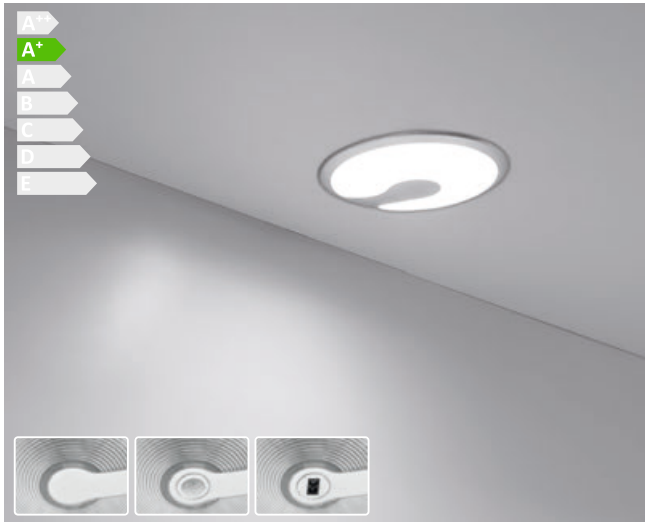
10.01.99.XY X: 10 11 13 14 Y: 8

NEW 2019



**OVO**

10.01.65.XY X: 2 4 8 Y: 1 2 8



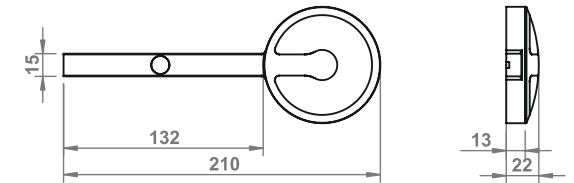
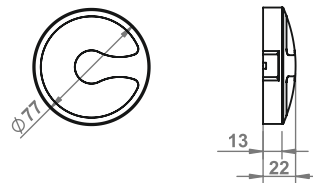
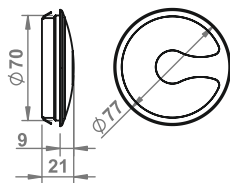
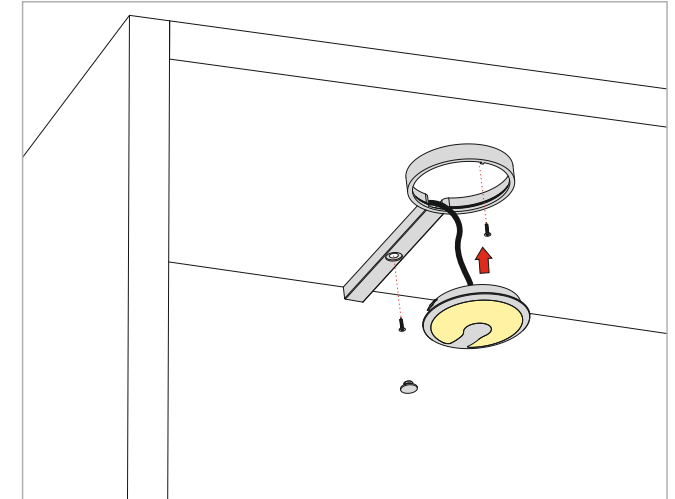
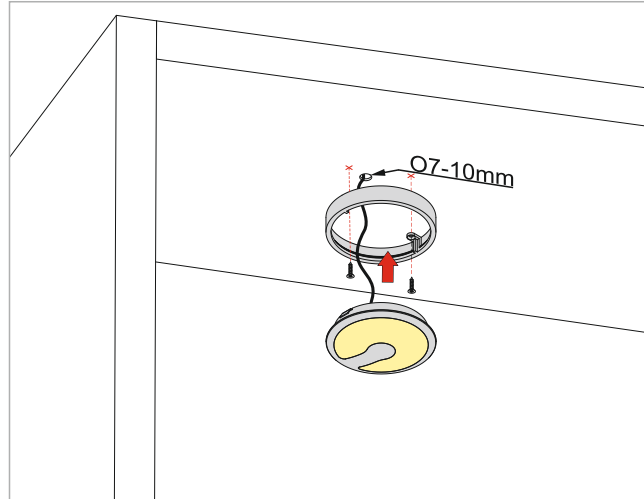
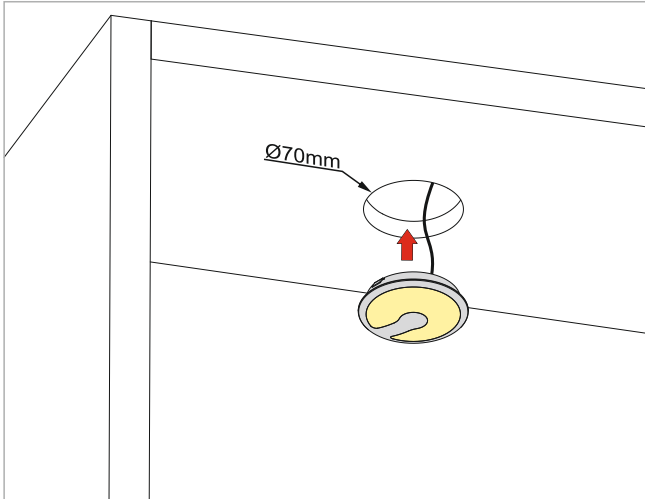
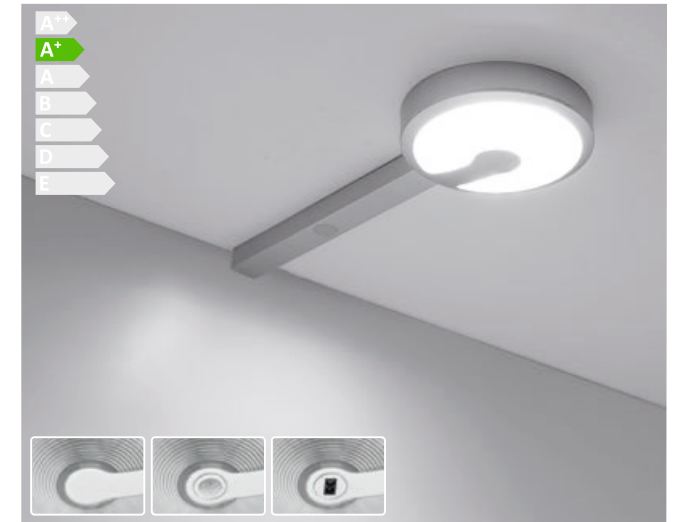
**OVO DY**

10.01.65.XY/DY X: 2 4 8 Y: 1 2 8



**OVO DYM**

10.01.65.XY/DYM X: 2 4 8 Y: 1 2 8



**JUNO MOVEMENT**

10.01.106.XY/MOV X: 2 4 8 Y: 1 2 8

**NEW 2019**



**JUNO**

10.01.106.XY X: 2 4 8 Y: 1 2 8

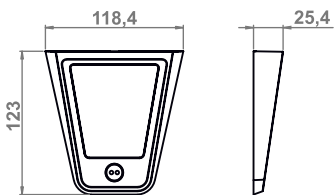
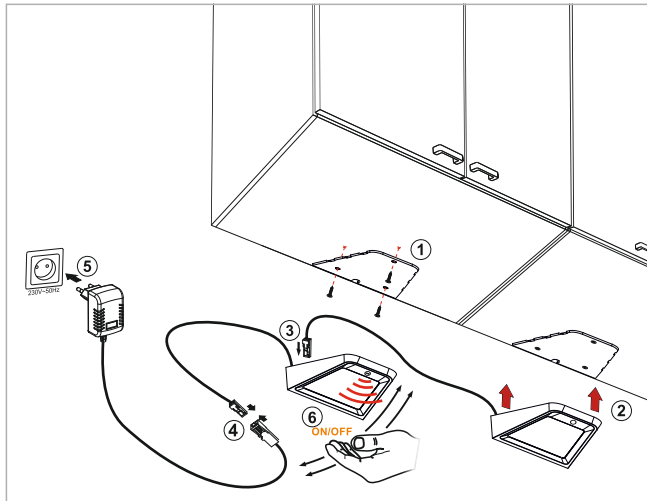
**NEW 2019**



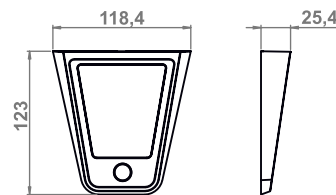
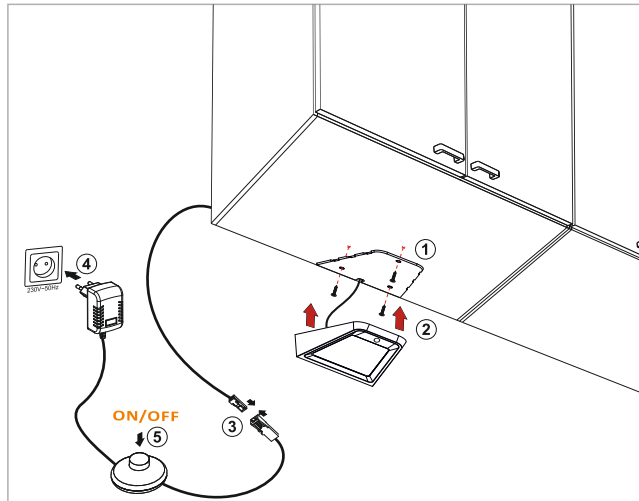
**DOMINO**

10.01.102.XY X: 2 4 8 Y: 8

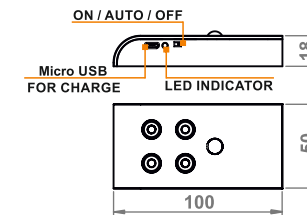
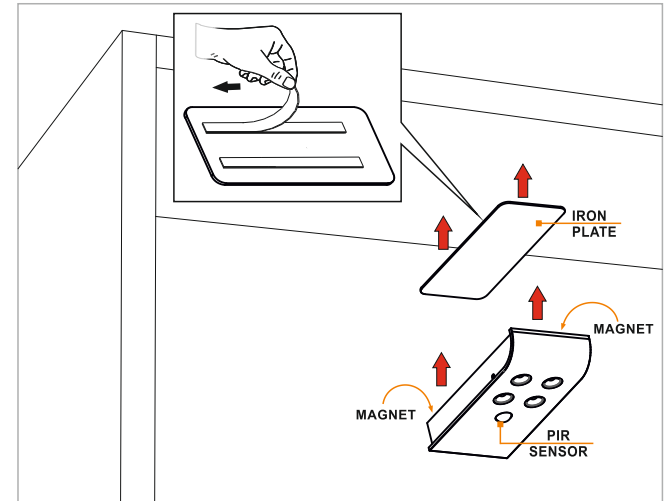
**NEW 2019**



12V<sub>DC</sub> 2,0W 170 lm 2m IP20 III EAC



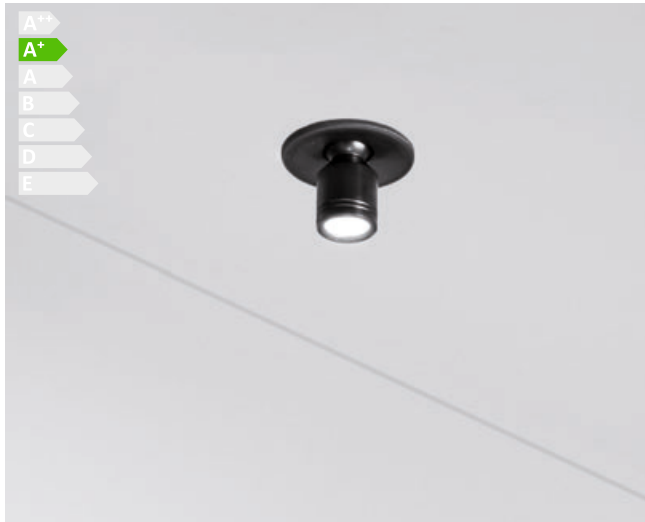
12V<sub>DC</sub> 2,0W 170 lm 2m IP20 III EAC



INPUT CHARGE 5V<sub>DC</sub> 1A 70 lm EAC IP20 III

MAYA

10.01.72.XY X: 2 8 Y: 1 2 8



MAYA H/2m

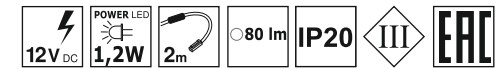
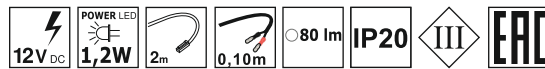
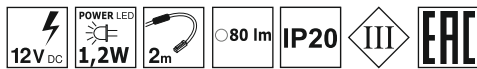
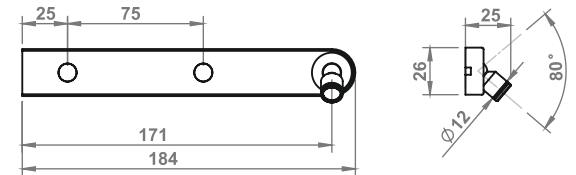
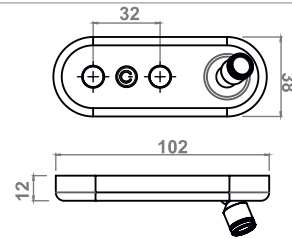
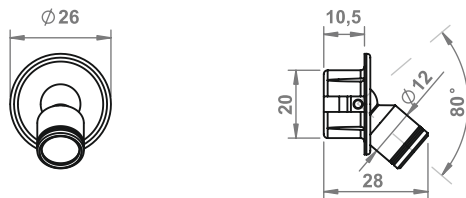
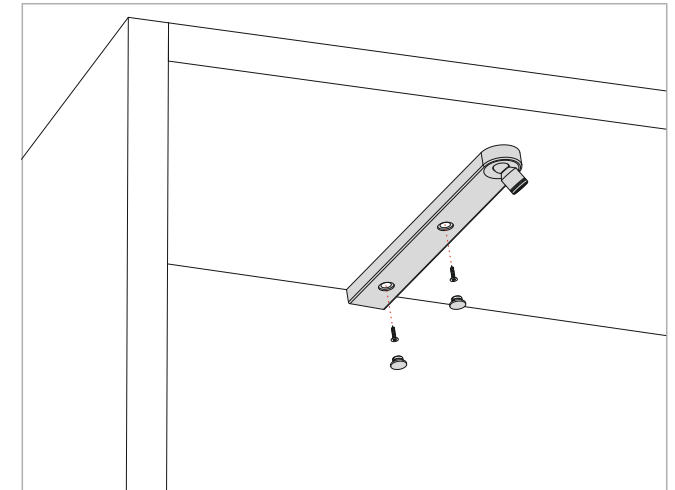
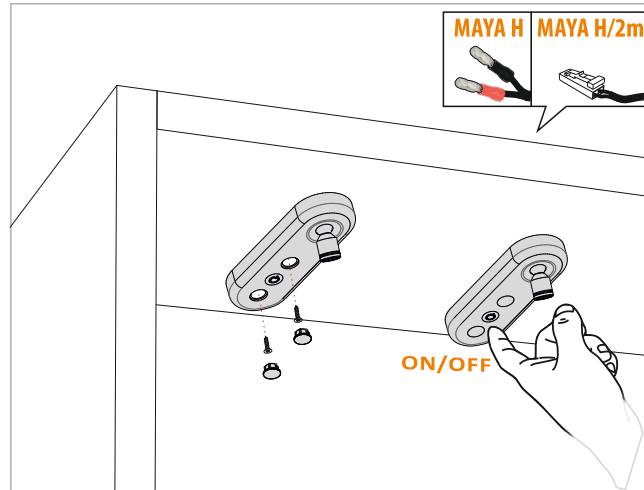
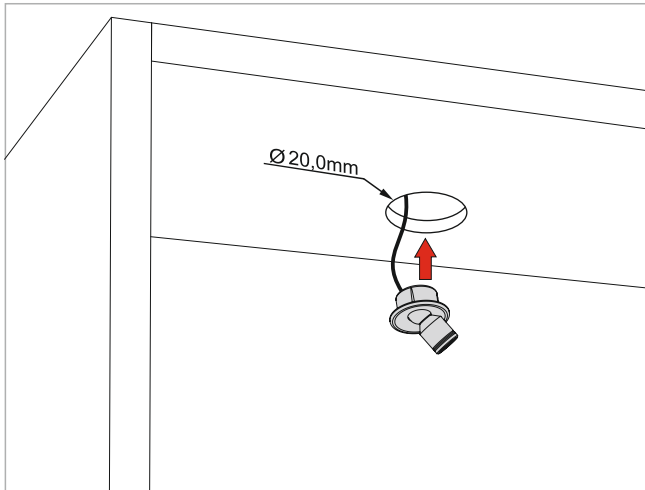
10.01.72.XY/H/2m X: 2 8 Y: 1 2 8

NEW  
2019



MAYA DY

10.01.72.XY/DY X: 2 8 Y: 1 2 8



### FLASH

10.01.30.XY X: 2 ● Y: 1 ○ 2 ○  
3 ● 8 ○



### POINT

10.01.22.XY X: 2 ● Y: 1 ○ 2 ○ 8 ○



### BIG POINT

10.01.86.XY X: 1 ● Y: 1 ○ 2 ○ 8 ○



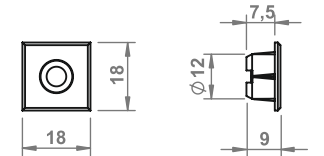
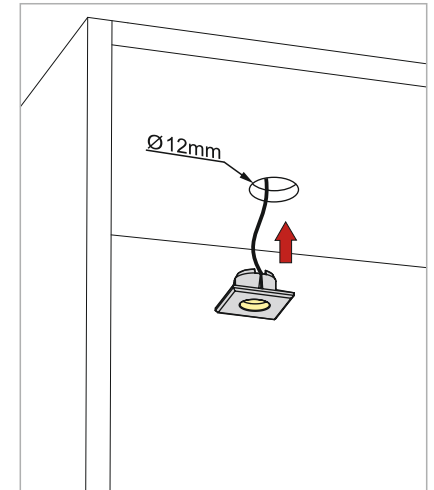
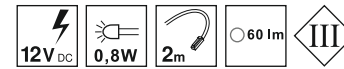
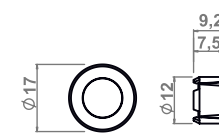
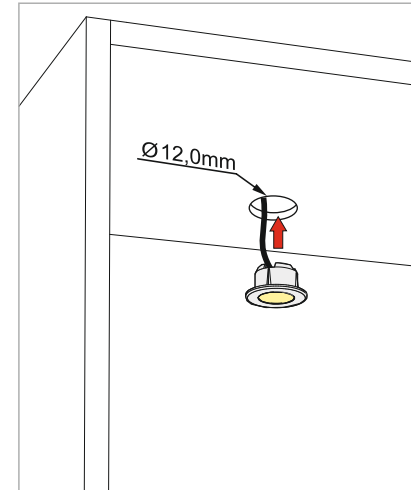
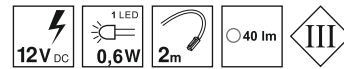
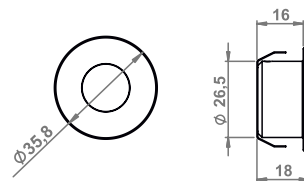
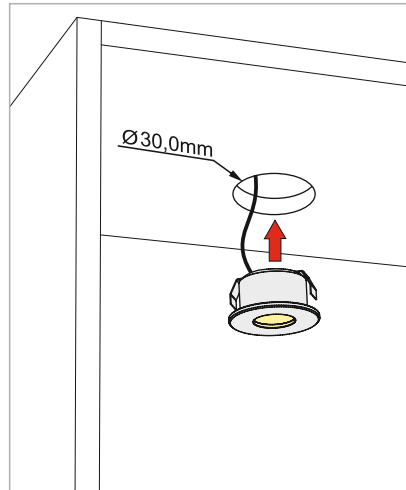
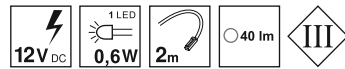
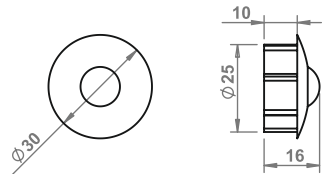
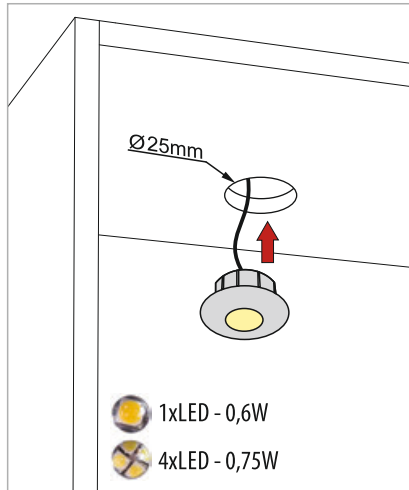
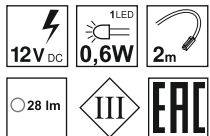
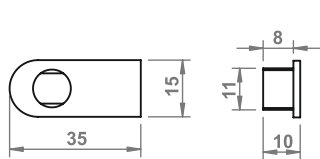
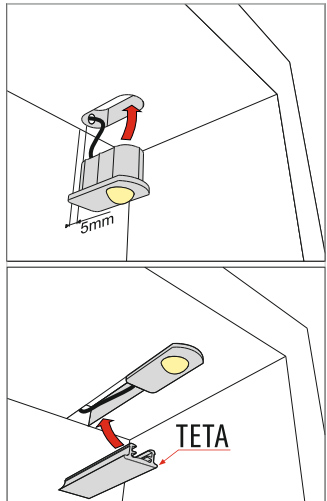
### MINI LENS

10.01.112.XY X: 2 ● Y: 1 ○ 2 ○ 8 ○



### MINI POINT

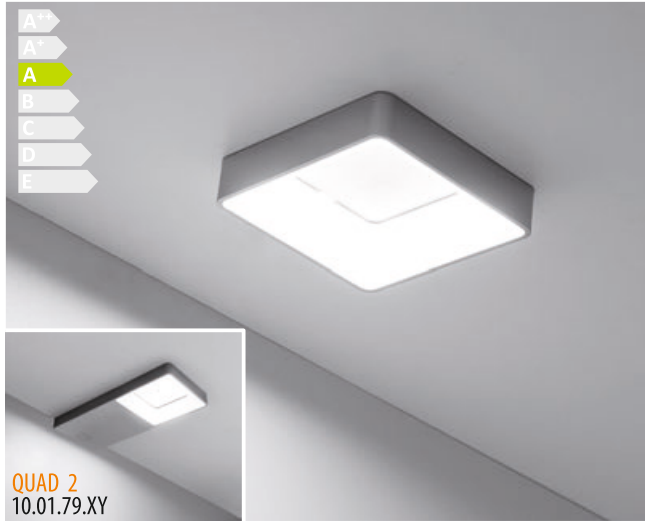
10.01.76.XY X: 2 ● 8 ● Y: 1 ○ 2 ○ 8 ○





**QUAD**

10.01.77.XY X: 1 ● 2 ○ 4 ○ 8 ● Y: 1 ○ 2 ○ 8 ○



QUAD 2  
10.01.79.XY

**SPACE**

10.01.78.XY X: 1 ● 2 ○ 4 ○ 8 ● Y: 1 ○ 2 ○ 8 ○



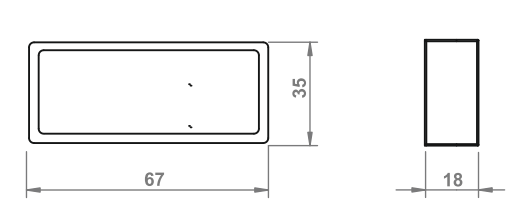
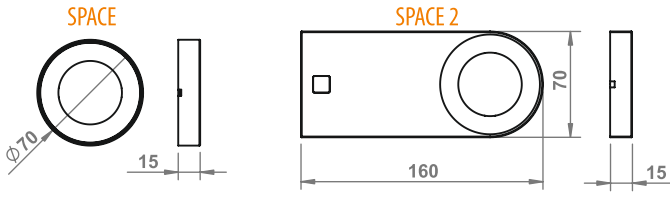
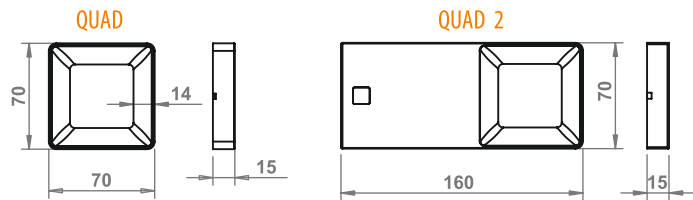
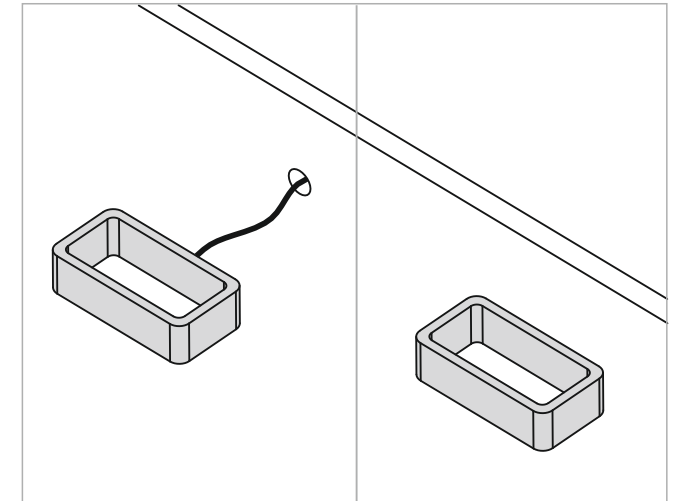
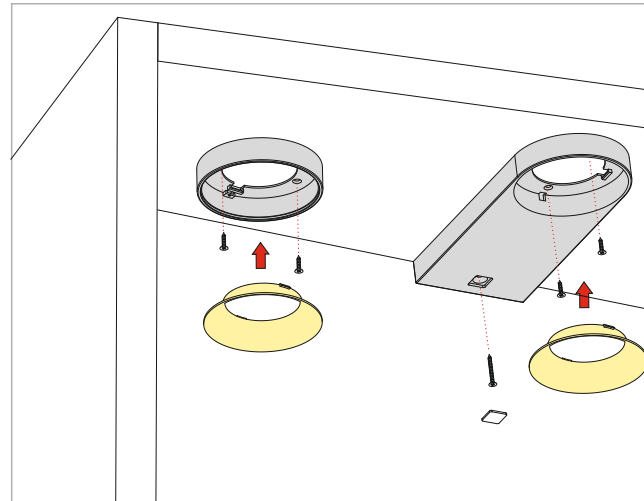
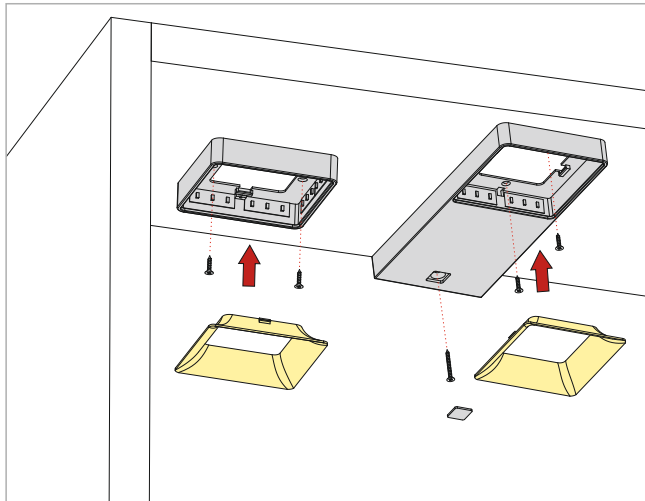
SPACE 2  
10.01.83.XY

**ADA**

10.01.84.XY X: 2 ○ Y: 1 ○ 8 ○



NEW  
2019





**1.A**

**1.B**

**2**

**3**

TOUCH ON/OFF

|        |           |
|--------|-----------|
| 12V DC | 1,2W      |
| 80 lm  | 2m        |
| III    | USB 5V DC |

OUT: 1xUSB 5VDC MAX 1A    DRIVER MINIMUM 15W

A++

A+

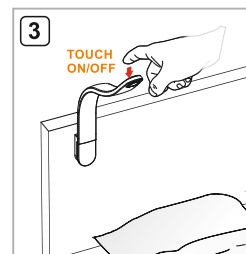
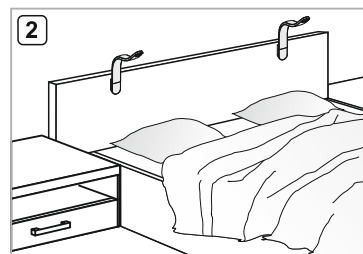
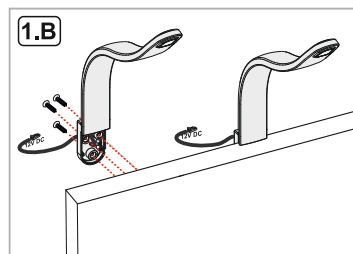
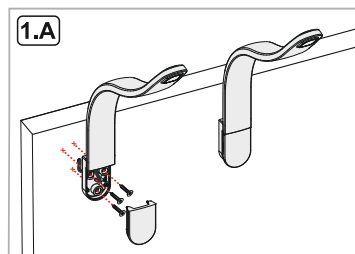
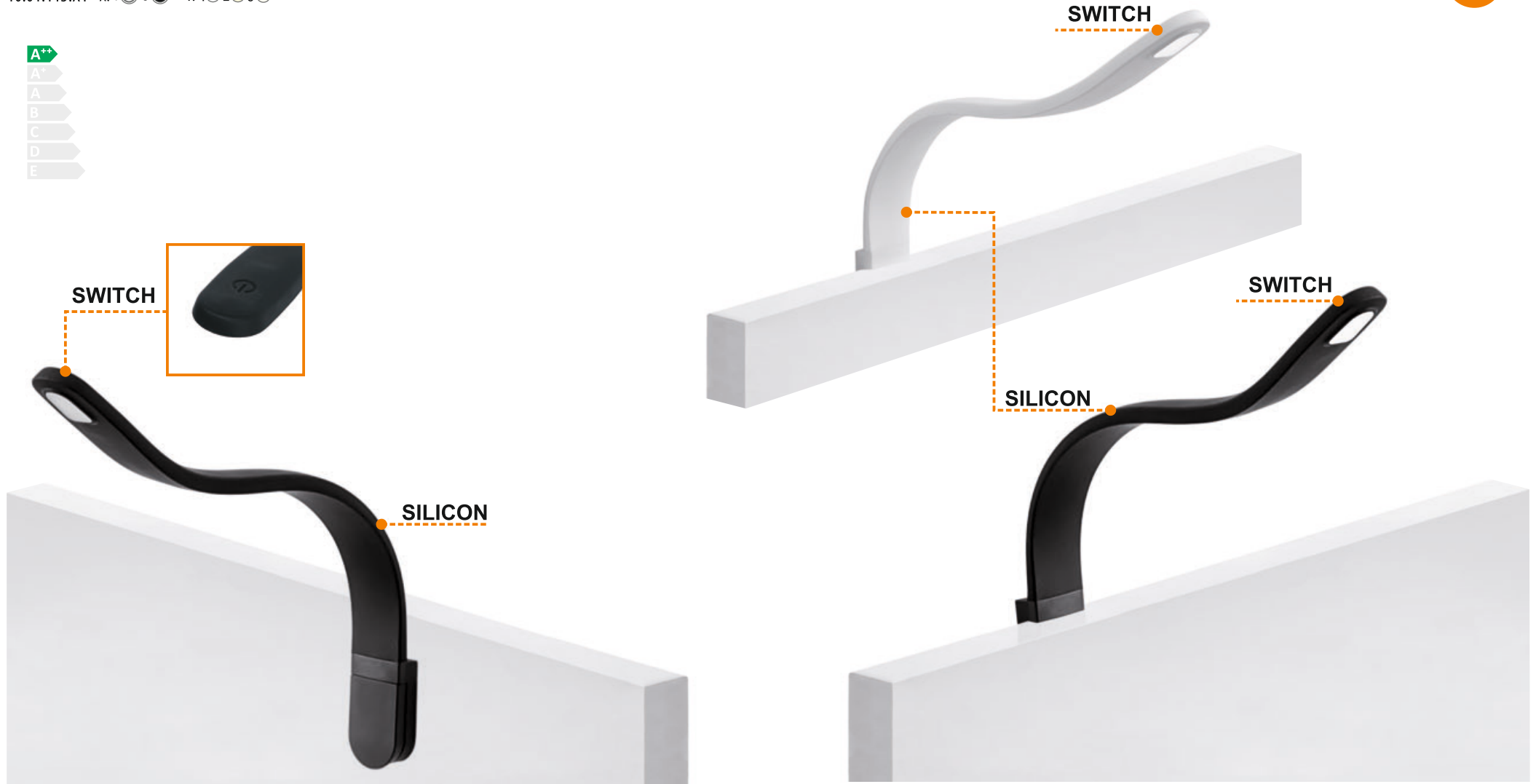
A

B

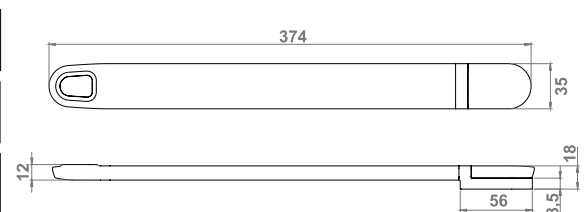
C

D

E

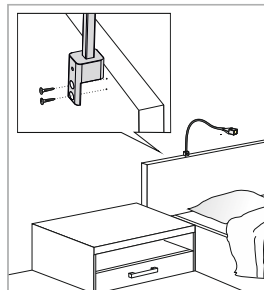
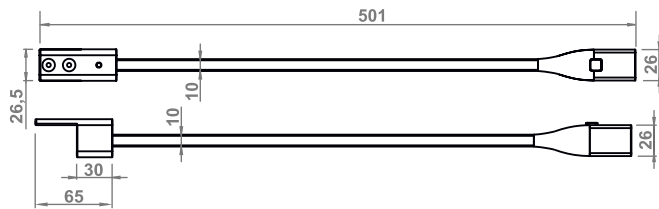


|        |      |
|--------|------|
| 12V DC | 1,2W |
| 80 lm  | 2m   |
|        |      |



**FLEXI Q**

10.01.92.XY X: 9 10 11 12 13 14 Y: 1 8 0

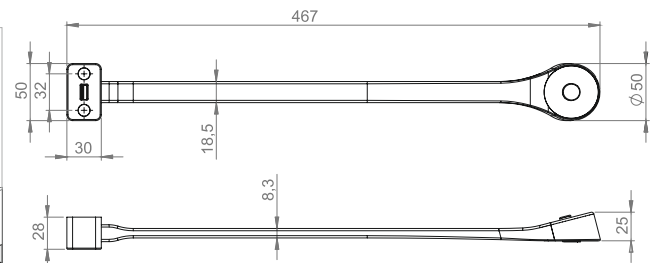
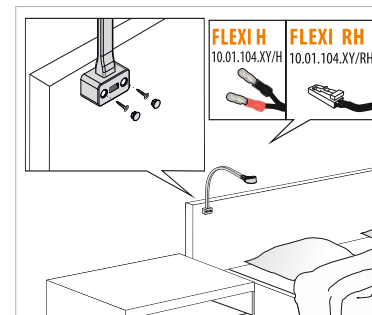


|        |               |    |       |      |     |     |                 |                           |
|--------|---------------|----|-------|------|-----|-----|-----------------|---------------------------|
| 12V DC | 8 LED<br>1,5W | 2m | 30 lm | IP20 | III | EAC | 5V DC<br>MAX 1A | DRIVER<br>MINIMUM<br>7,5W |
|--------|---------------|----|-------|------|-----|-----|-----------------|---------------------------|

**FLEXI H / FLEXI RH**

10.01.104.XY/H X: 9 10 11 12 13 14 Y: 1 8 0

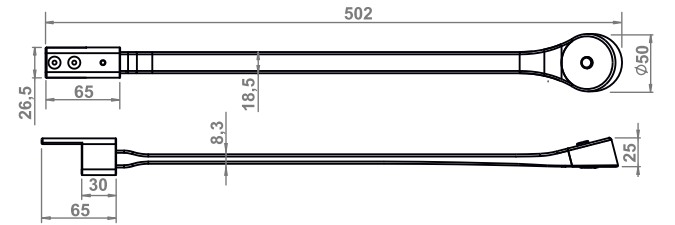
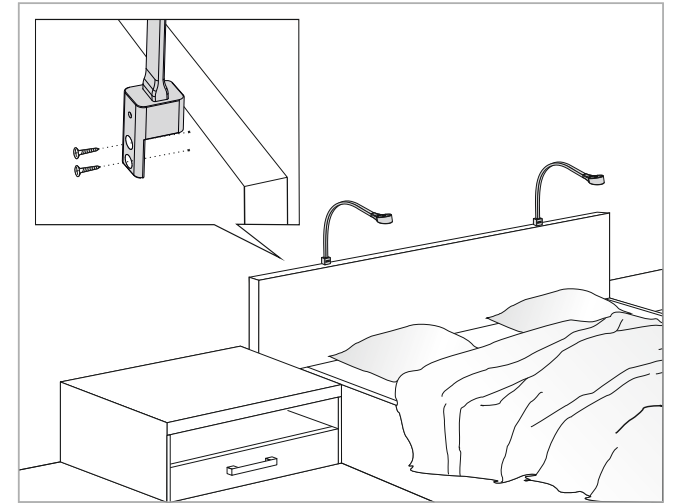
**NEW  
2019**



|        |                |    |       |      |     |     |                 |                           |
|--------|----------------|----|-------|------|-----|-----|-----------------|---------------------------|
| 12V DC | 12 LED<br>1,8W | 2m | 90 lm | IP20 | III | EAC | 5V DC<br>MAX 1A | DRIVER<br>MINIMUM<br>7,5W |
|--------|----------------|----|-------|------|-----|-----|-----------------|---------------------------|

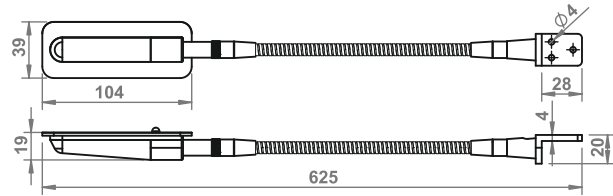
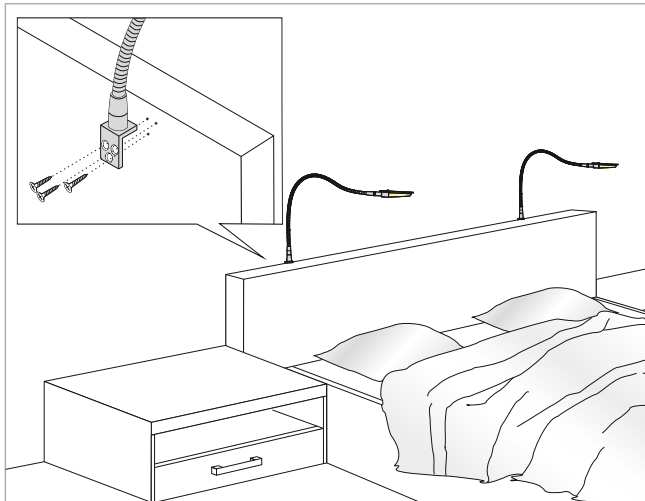


reddot award 2017  
winner lighting design



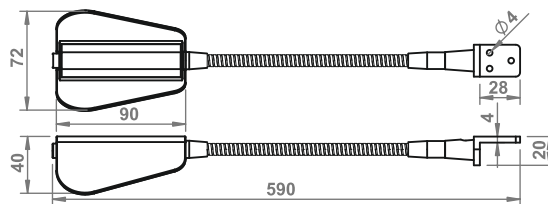
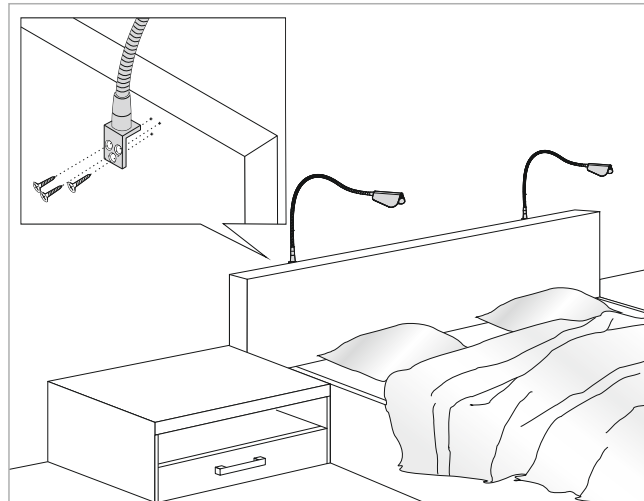
**ETA**

10.01.39.XY X: 1 ● 2 ○ 4 ○ 8 ● Y: 1 ○



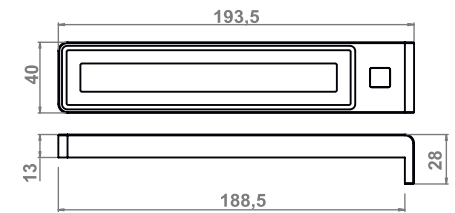
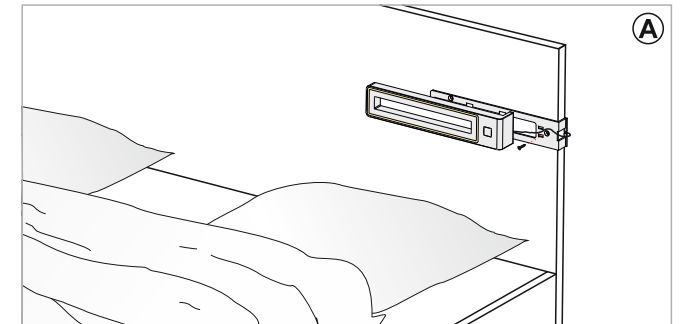
**BUTTERFLY**

10.01.46.XY X: 1 ● 2 ○ 4 ○ 8 ● Y: 1 ○



**GABI Q**

10.01.87.XY X: 2 ○ 4 ○ 8 ● Y: 1 ○ 2 ○ 8 ○



**GABI R**

10.01.88.XY X: 2 4 8 Y: 1 2 8



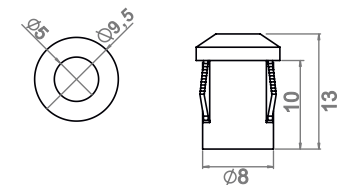
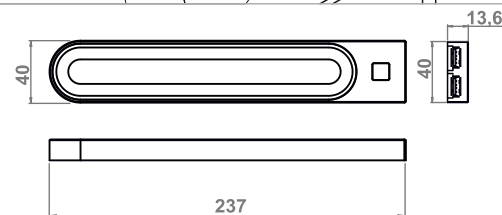
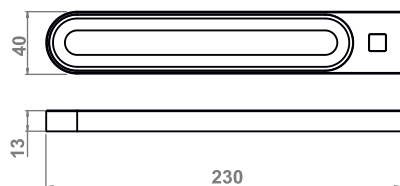
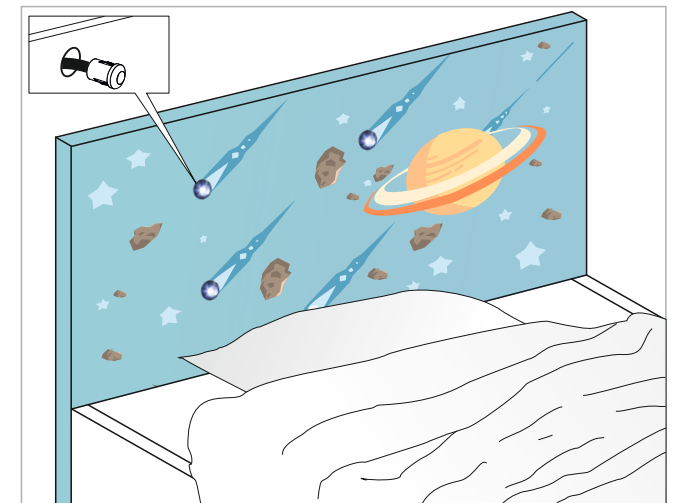
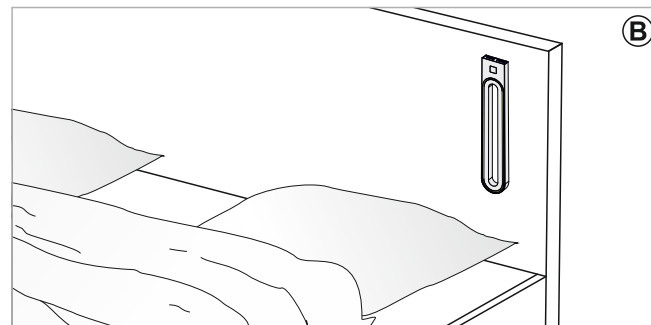
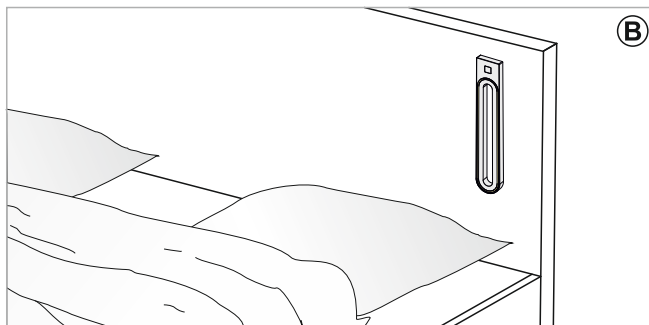
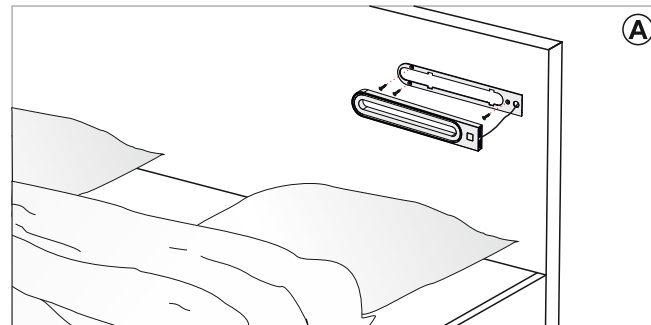
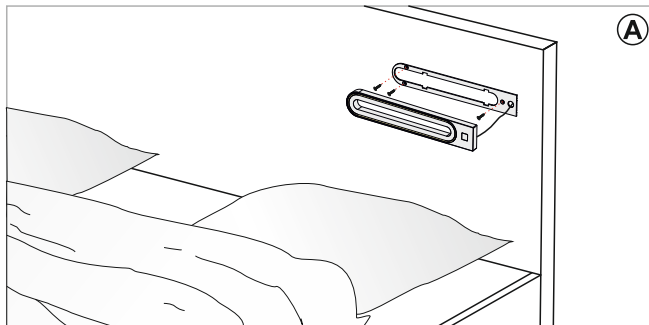
**GABI R/USB**

10.01.88.XY/USB X: 2 4 8 Y: 1 2 8



**STAR LED**

10.01.85.XY X: 1 4 8 Y: 1



### LEG HC

10.01.56.XY X: 1 2 8 Y: 1 2 3 4 5 6 7  
/corner to the sofa leg/LED Füß/нога угловая для софы



### LEG H

10.01.57.XY X: 1 2 8 Y: 1 2 3 4 5 6 7



### LEG P50 / LEG L / LEG P25

X: 1 2 8 Y: 1 2 3 4 5 6 7  
/corner to the sofa leg/LED Füß/нога угловая для софы



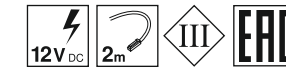
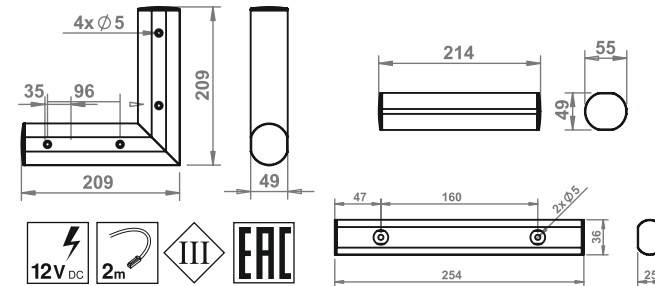
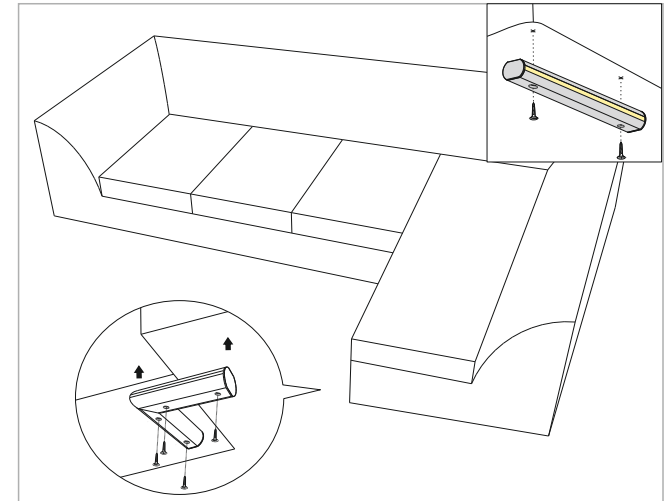
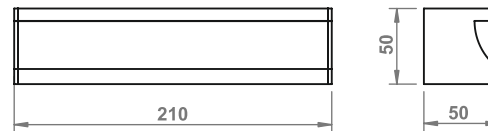
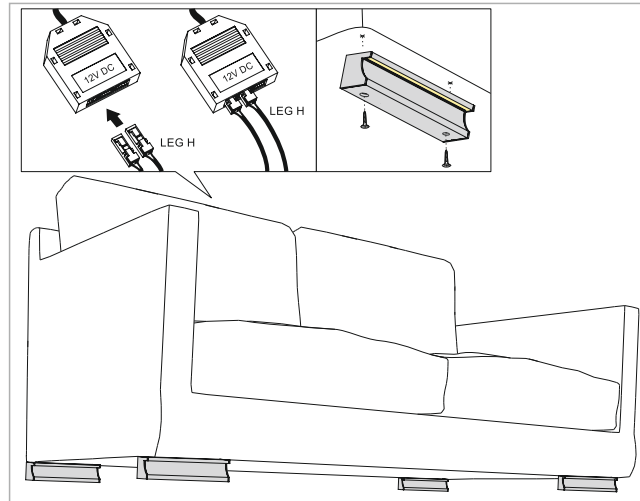
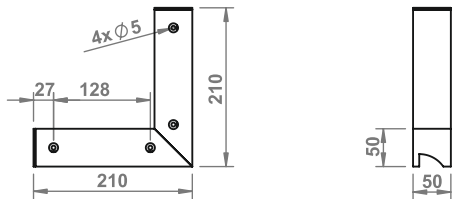
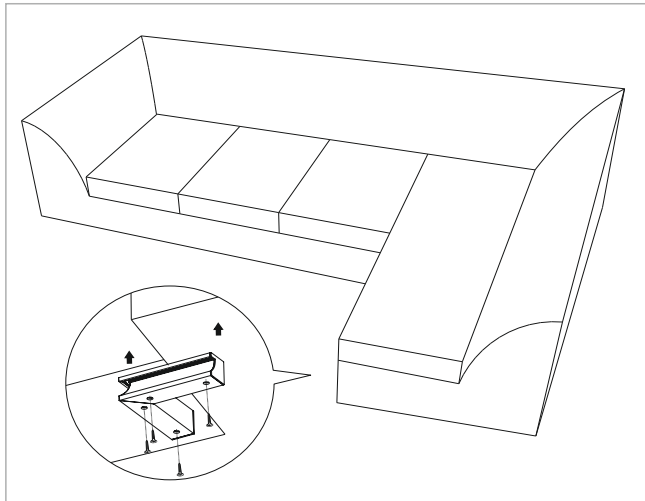
LEG L  
10.01.32.XY



LEG P 50  
10.01.31.XY



LEG P25  
10.01.60.XY

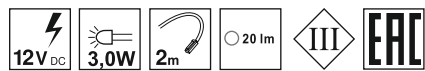
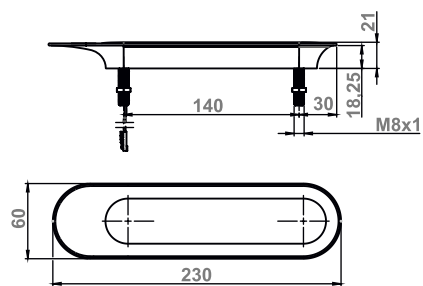
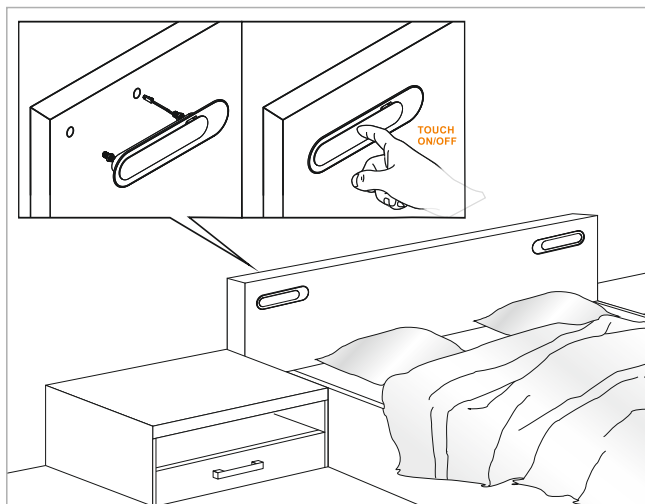
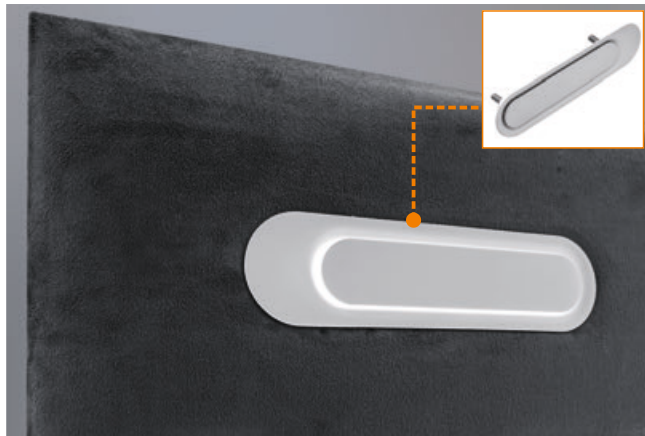




COMA

10.01.109.XY X: 2 4 8 Y: 1 2 8

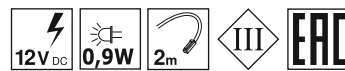
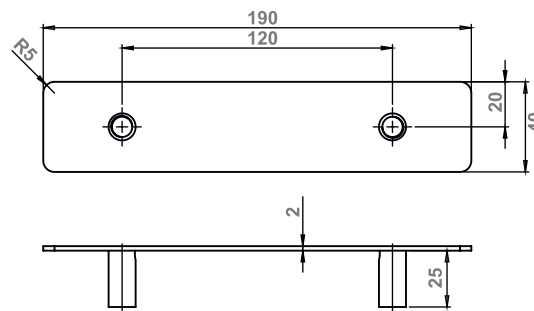
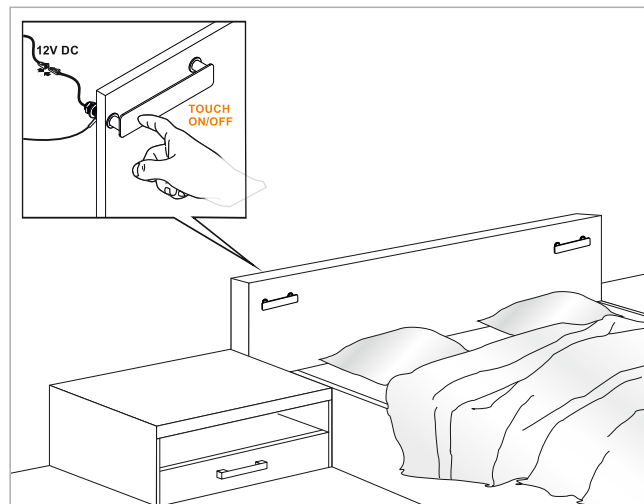
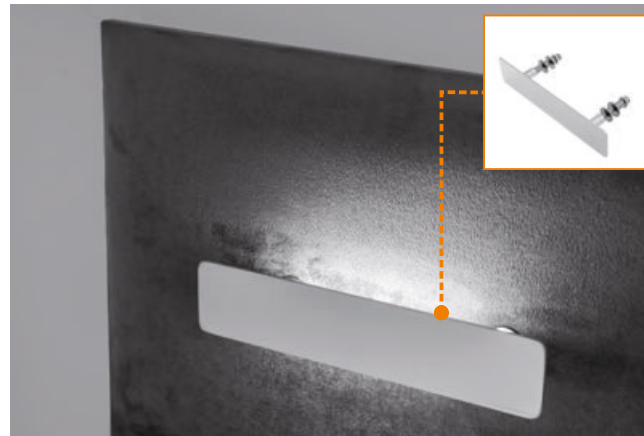
NEW 2019



INLINE

10.01.111.XY X: 1 2 4 8 Y: 1 2 8

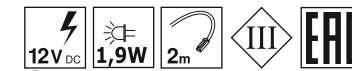
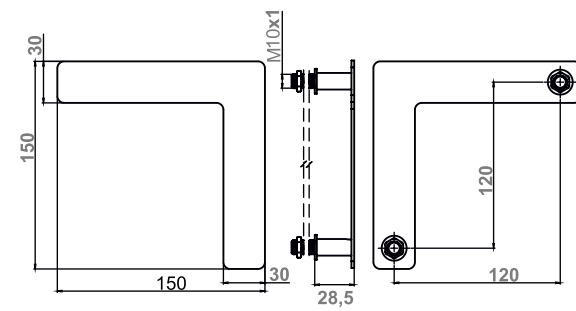
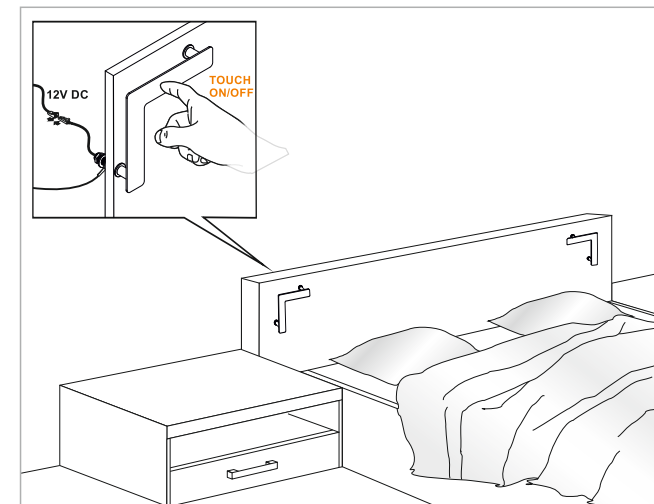
NEW 2019



INLINE-L

10.01.110.XY X: 1 2 4 8 Y: 1 2 8

NEW 2019





**AUX mode**

Jack 3,5mm  
Phone, TV

**USB mode**

Flash disk

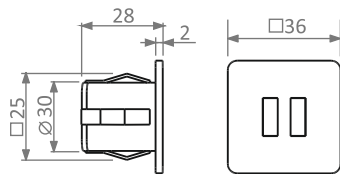
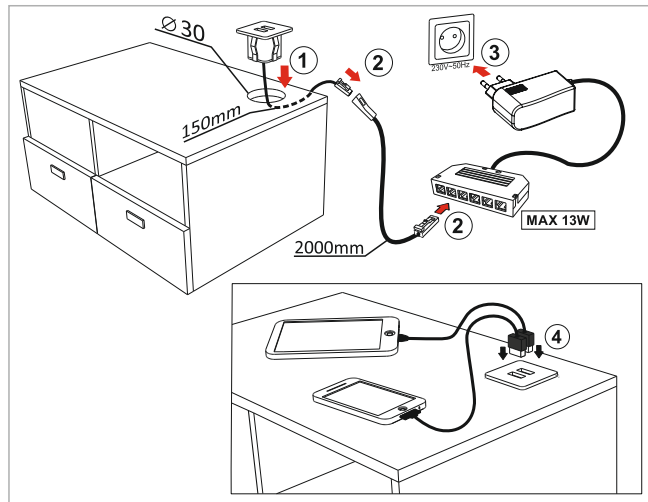
**Bluetooth**

iPhone/iPad  
Android Phone

12V<sub>dc</sub> 1,0m  max.10m 

### USB CHARGER

10.05.13.X X: 2 4 8 /USB Charger / USB-Ladegerät / USB зарядное устройство

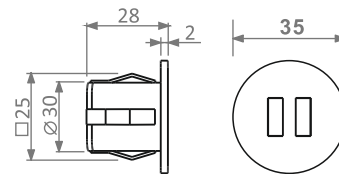
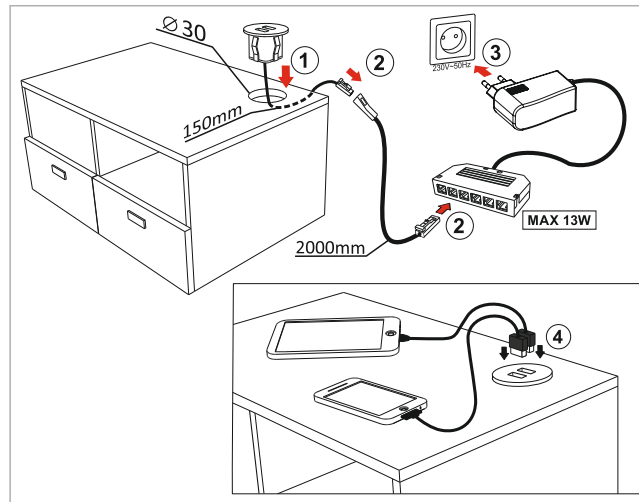


IN: 12VDC  
 OUT: 2 x USB 5VDC MAX 2x1A  
 DRIVER MINIMUM 15W

### USB/R CHARGER

10.05.13.X/R /USB Charger / USB-Ladegerät / USB зарядное устройство

NEW 2019

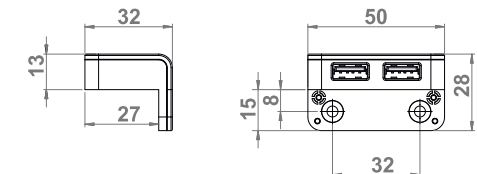
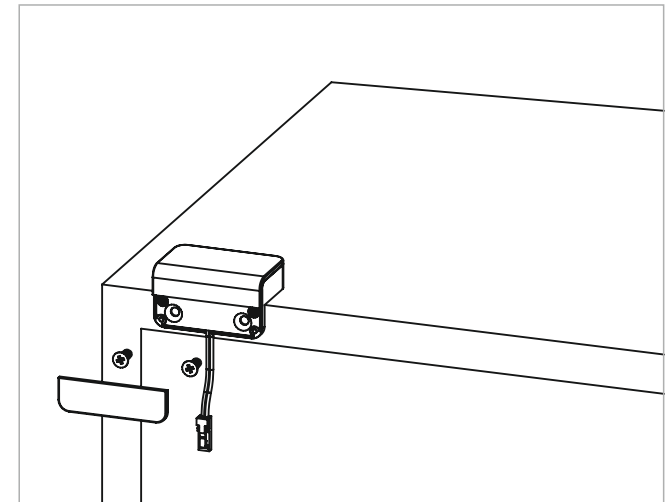


IN: 12VDC  
 OUT: 2 x USB 5VDC MAX 2x1A  
 DRIVER MINIMUM 15W

### USB/T CHARGER

10.05.13.X/T X: 2 4 8 10 13 /USB Charger / USB-Ladegerät / USB зарядное устройство

NEW 2019

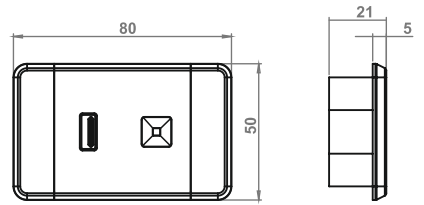
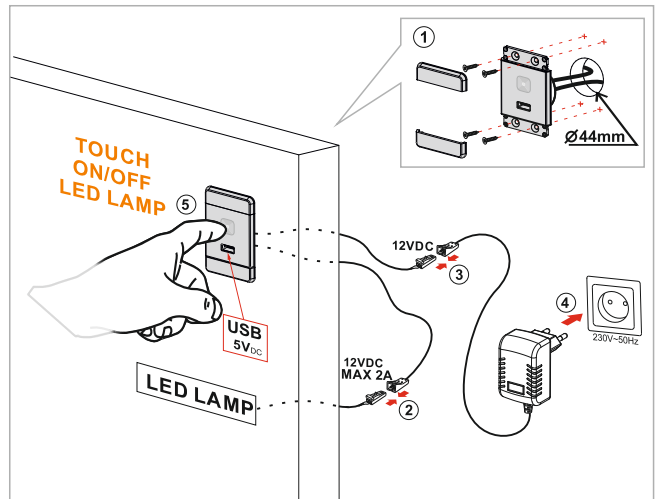
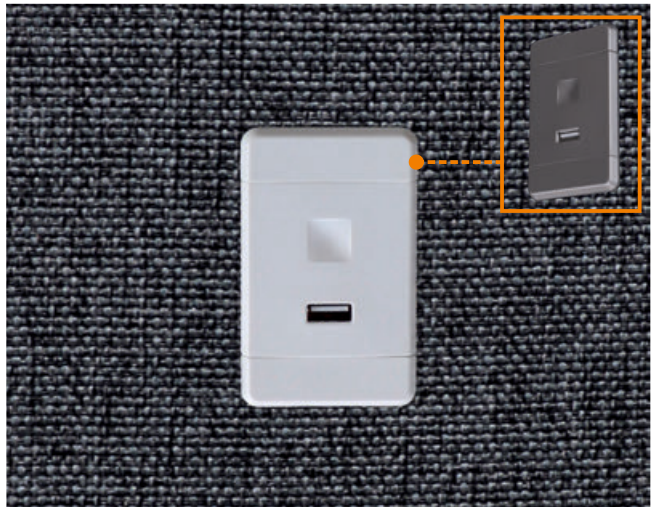


IN: 12VDC  
 OUT: 2 x USB 5VDC MAX 2x1A  
 DRIVER MINIMUM 15W

USB-SWITCH

10.05.18.X X: 2 4 8

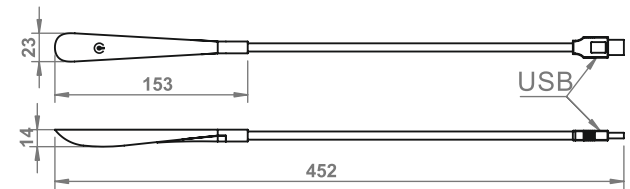
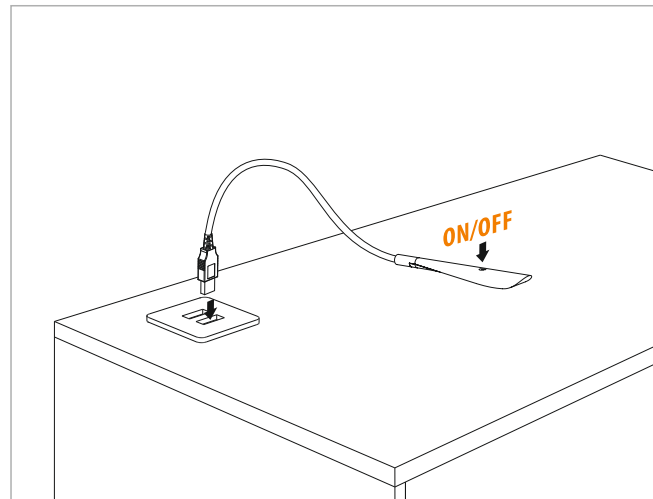
NEW 2019



12V DC 0,15m IP20 III EAC IN: 12VDC OUT: 1xUSB 5VDC MAX 2A DRIVER MINIMUM 15W

LILI

10.01.74.XY X: 4 8 Y: 1 0

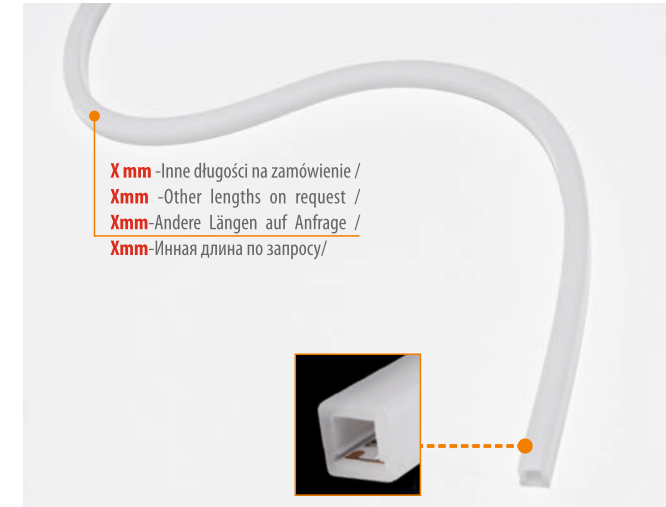


USB 5VDC LED 0,8W 0,24m 30 lm IP20 III EAC

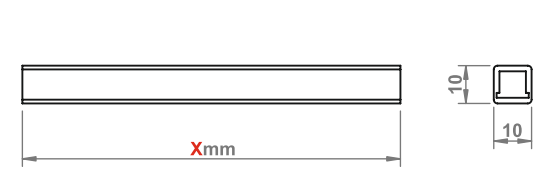
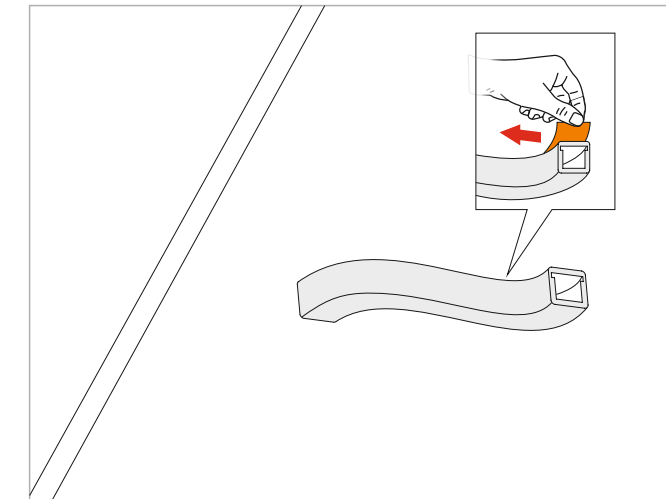
PROFILE 10x10/G

10.01.34.XY/G X: 5 Y: 1 2 3 4 5 6 7

NEW 2019

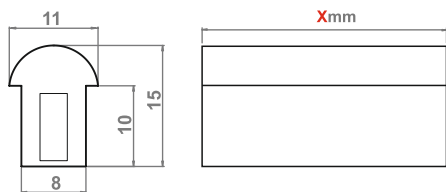
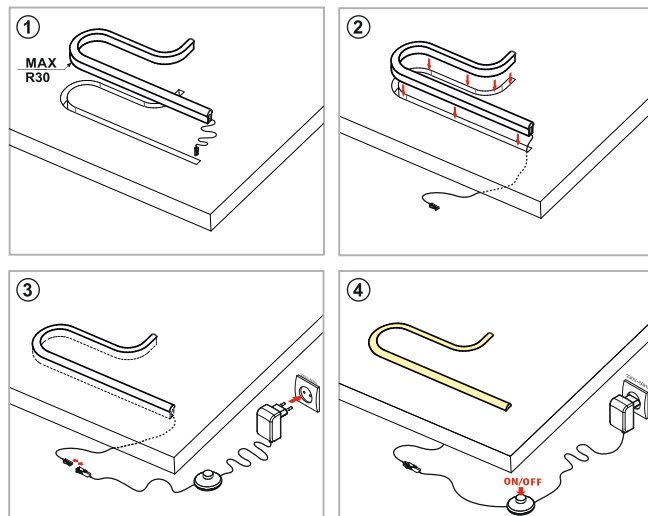


Xmm -Inne długości na zamówienie /  
Xmm -Other lengths on request /  
Xmm-Andere Längen auf Anfrage /  
Xmm-Инная длина по запросу/



### NEON 8x15 FLEX

10.01.89.XY/G/8x15 X: 5 ● Y: 1 ○ 2 ○ 3 ● 4 ● 5 ● 6 ● 8 ○ 9 ●

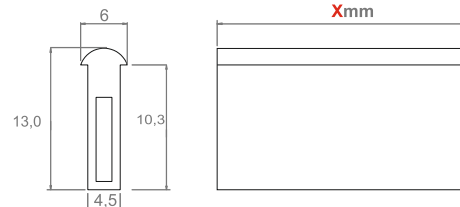
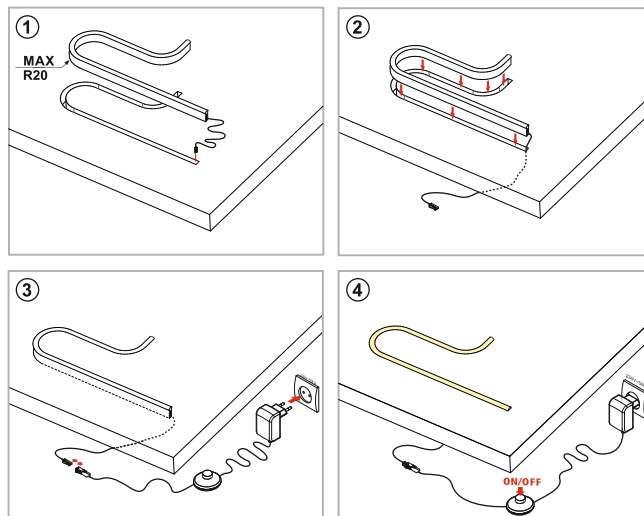


12VDC  
9,6W/m

III EAC

### NEON 5x13 FLEX

10.01.89.XY/G/5x13 X: 5 ● Y: 1 ○ 2 ○ 3 ● 4 ● 5 ● 6 ● 8 ○



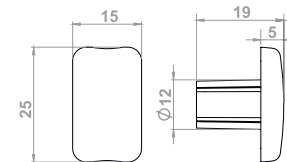
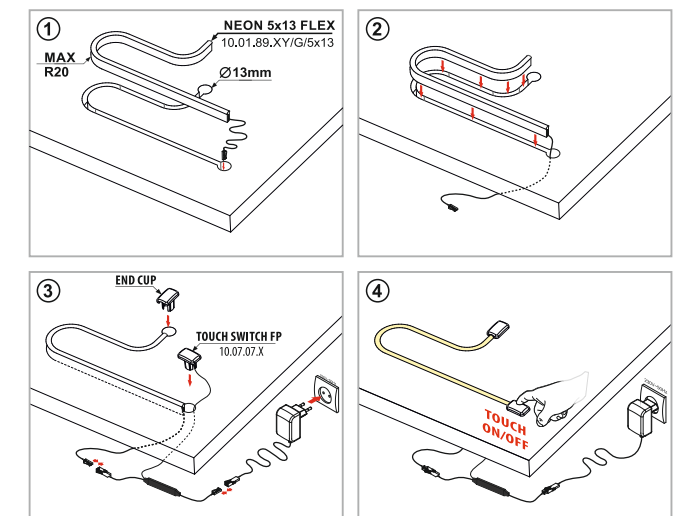
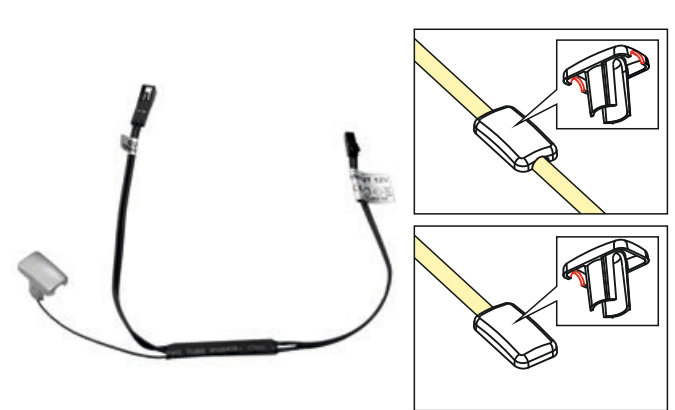
12VDC  
9,6W/m

III EAC

### TOUCH SWITCH FP (for PROFIL NEON-5X13-FLEX)

10.07.07.X X: 2 ●

NEW  
2019



INPUT : 12V DC  
OUTPUT : 12V DC  
MAX 3A

0,15m

III EAC

## ZETA

10.02.01.XY X: 3 7 Y: 1 2 3 4 5 6 7

- A++
- A+
- A**
- B
- C
- D
- E



## ZETA LINE

10.02.02.XY X: 0 2 5 Y: 1 2 3 4 5 6 7

- A++
- A+
- A**
- B
- C
- D
- E



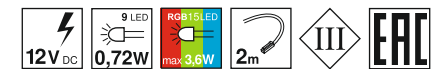
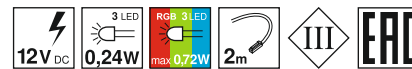
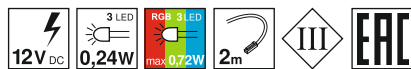
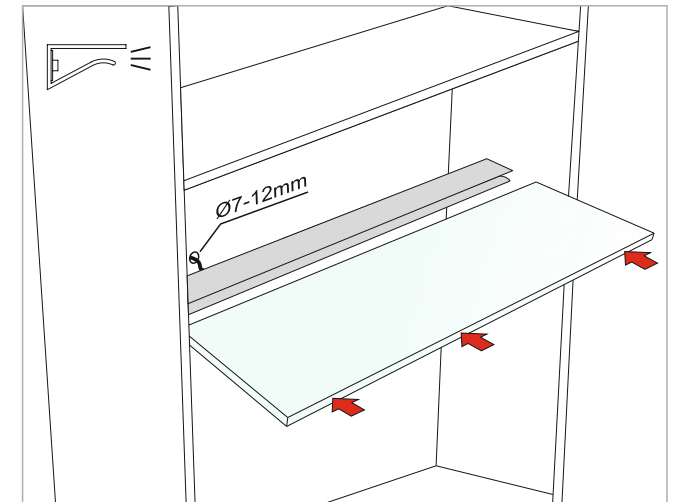
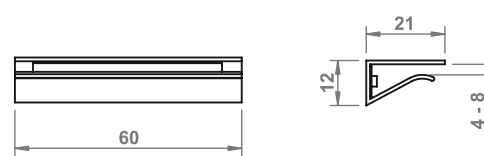
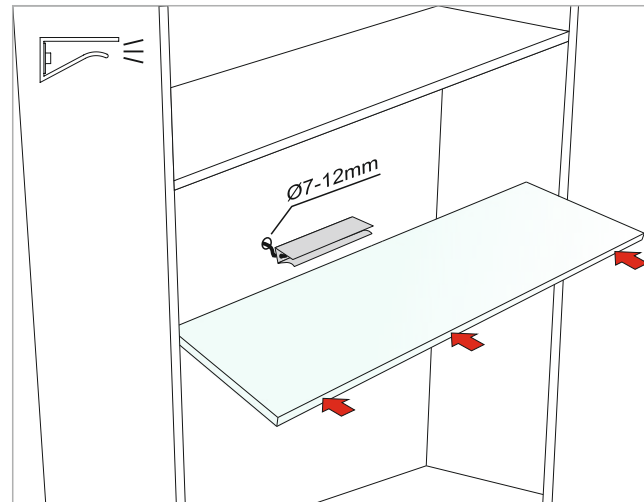
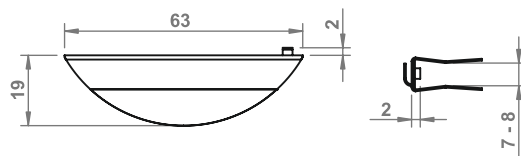
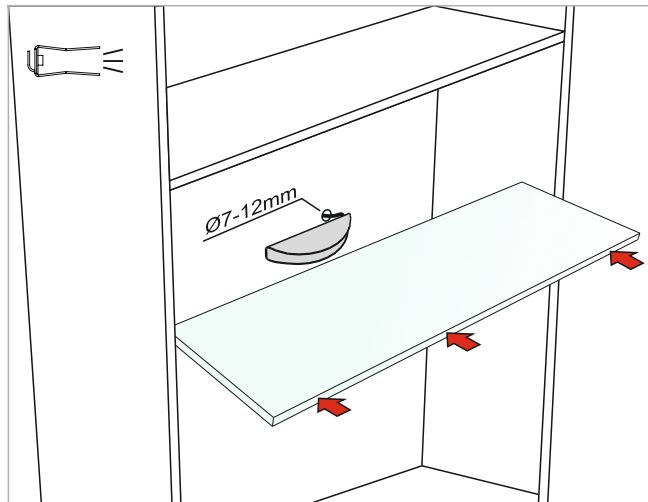
## ZETA GLASLINE

10.02.03.XY X: 0 2 5 Y: 1 2 3 4 5 6 7

- A++
- A+
- A**
- B
- C
- D
- E

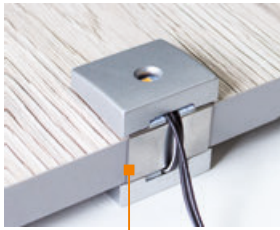


X mm -Inne długości na zamówienie /  
 Xmm -Other lengths on request /  
 Xmm-Andere Längen auf Anfrage /  
 Xmm-Иная длина по запросу/



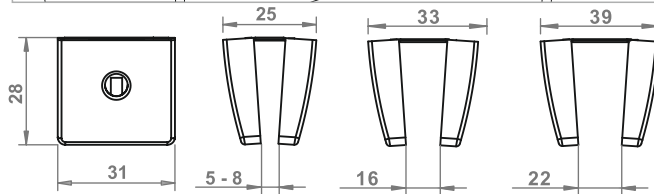
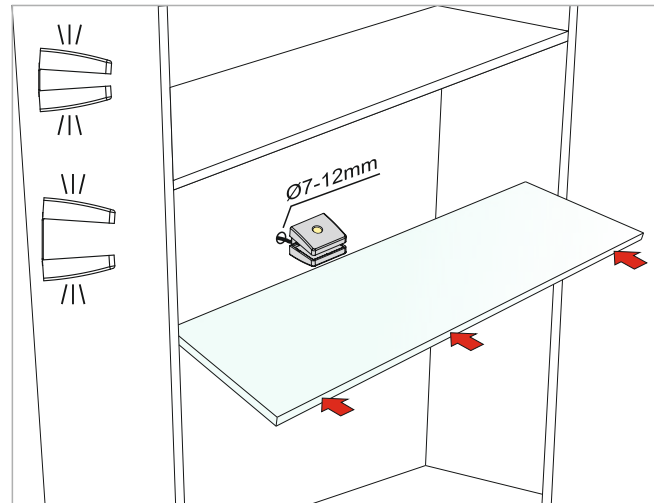
### ZETA S 2S

X: 1 ● 2 ○ 4 ○ 8 ● Y: 1 ○ 2 ○ 3 ● 8 ○



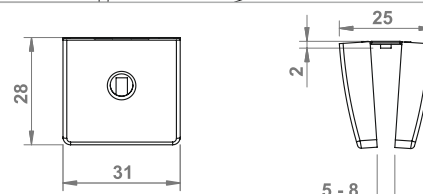
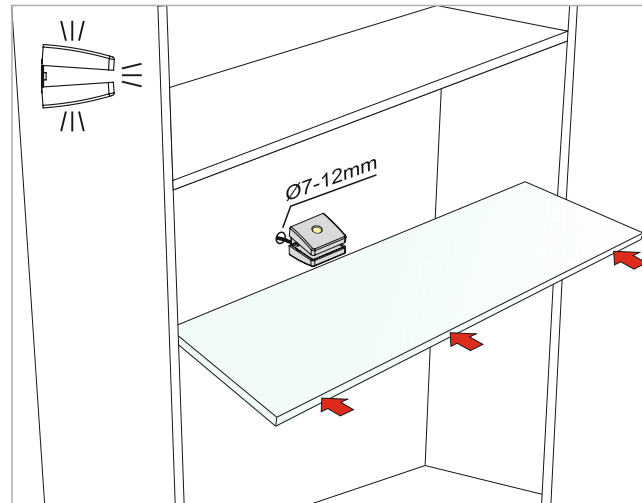
10.02.07.XY/2S

10.02.07.XY/2S - 16mm  
10.02.07.XY/2S - 22mm



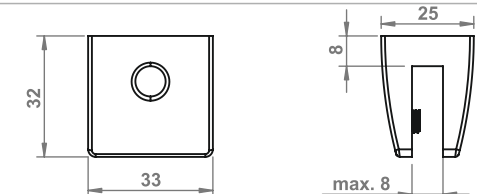
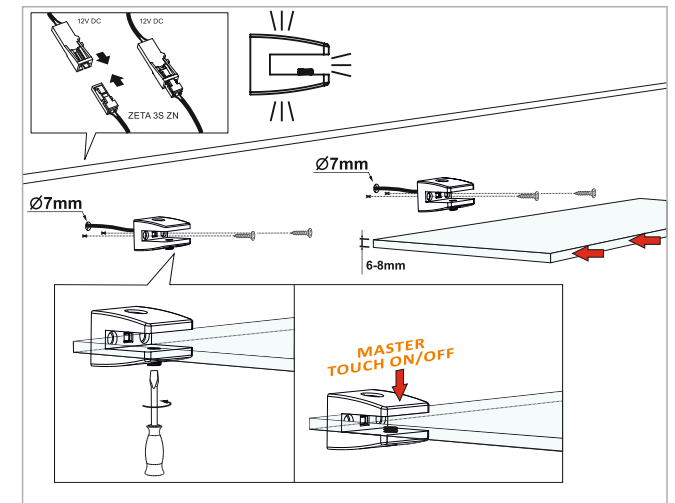
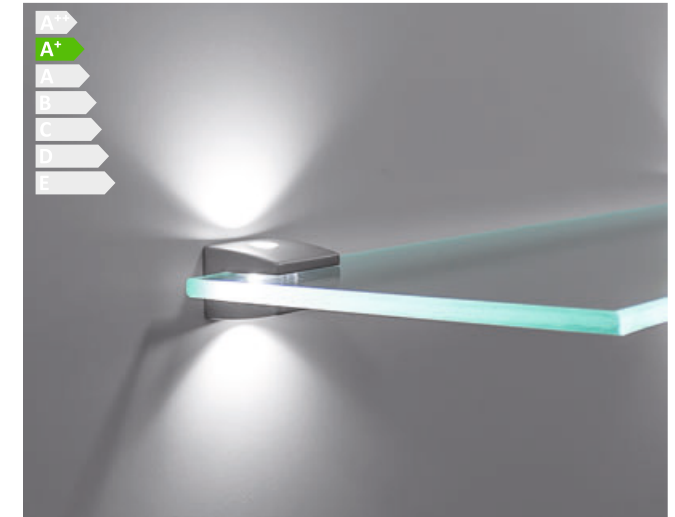
### ZETA S 3S

10.02.07.XY/3S X: 1 ● 2 ○ 4 ○ 8 ● Y: 1 ○ 2 ○ 3 ● 8 ○



### ZETA 3S ZN

10.01.51.XY/3S X: 2 ○ Y: 1 ○ 8 ○ 10.01.51.XY/3S/WM - MASTER



## PROFILE DFM

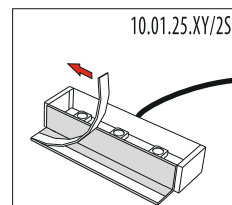
10.01.19.XY X: 2 Y: 1 2 3 4 5 6 7



Xmm -Inne długości na zamówienie /  
 Xmm -Other lengths on request /  
 Xmm -Andere Längen auf Anfrage /  
 Xmm -Инная длина по запросу/

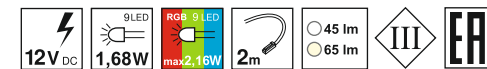
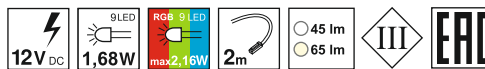
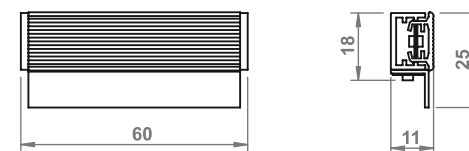
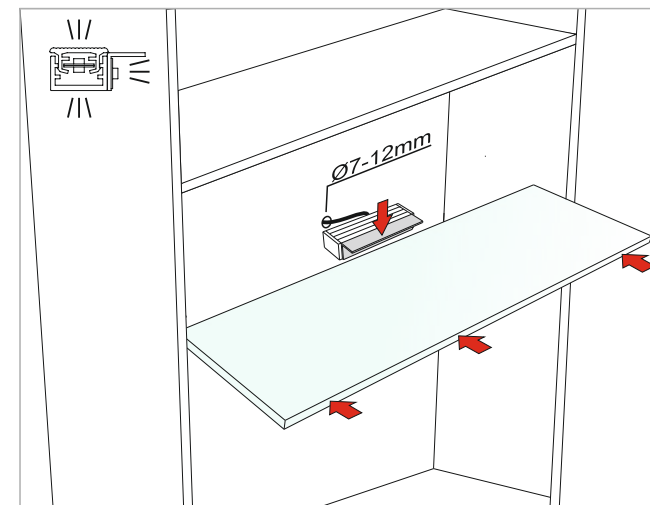
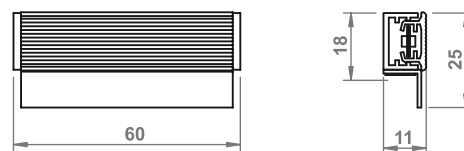
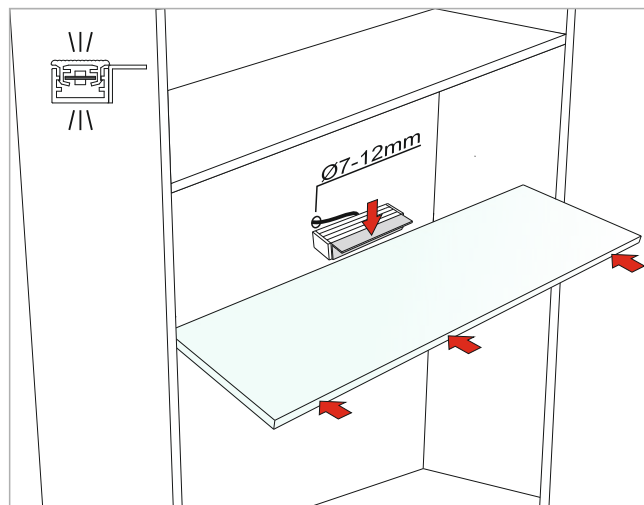
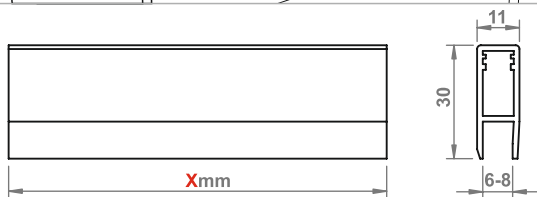
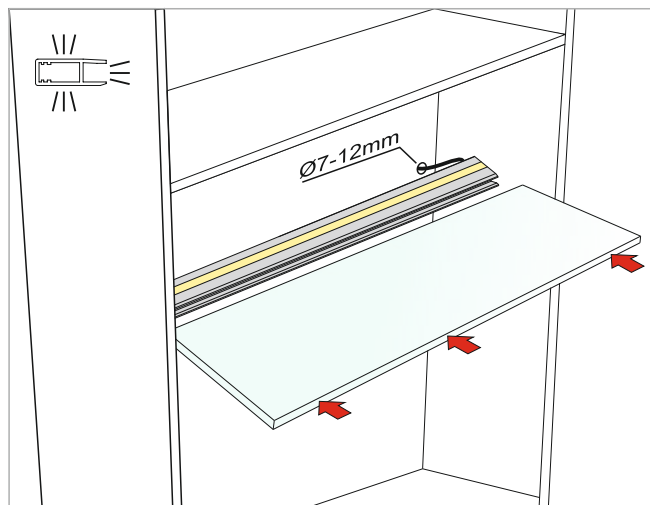
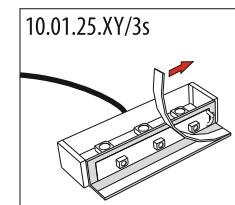
## GAMA 2S 60mm

X: 0 2 Y: 1 2 7



## GAMA 3S 60mm

X: 0 2 Y: 1 2 7

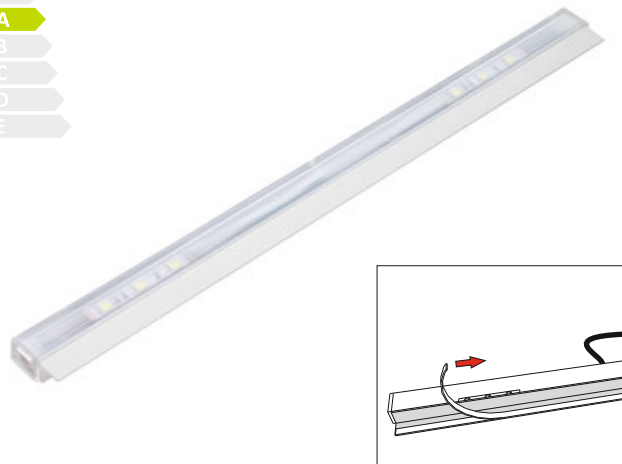




### GAMA 2S 300mm

10.01.25.XY/2s/300 X: 0 2 Y: 1 2 7

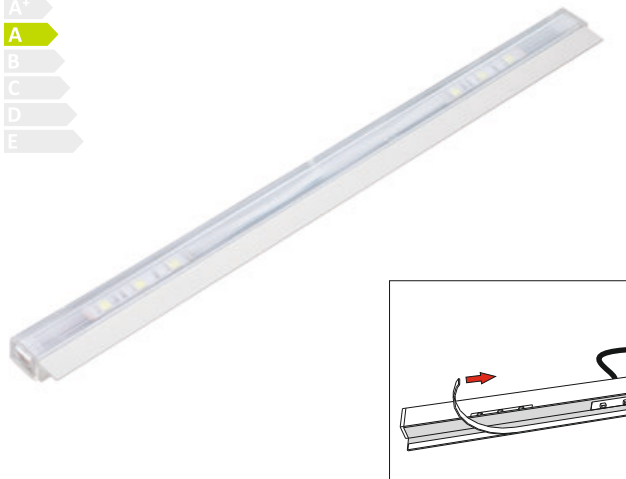
- A++
- A+
- A**
- B
- C
- D
- E



### GAMA 3S 300mm

10.01.25.XY/3s/300 X: 0 2 Y: 1 2 7

- A++
- A+
- A**
- B
- C
- D
- E

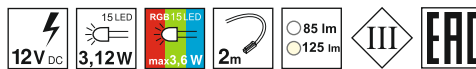
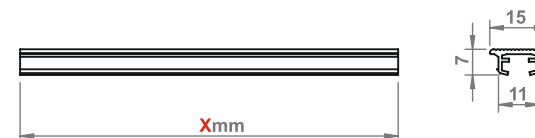
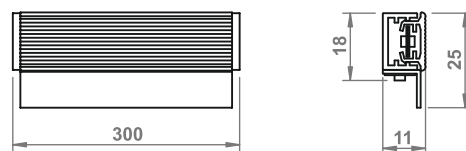
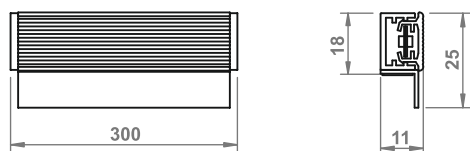
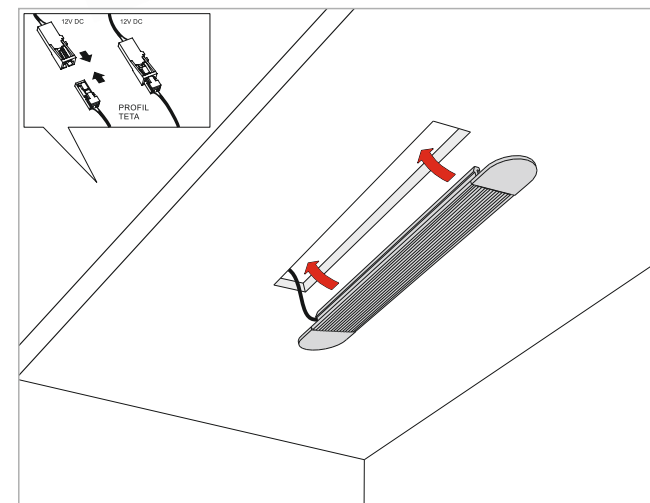
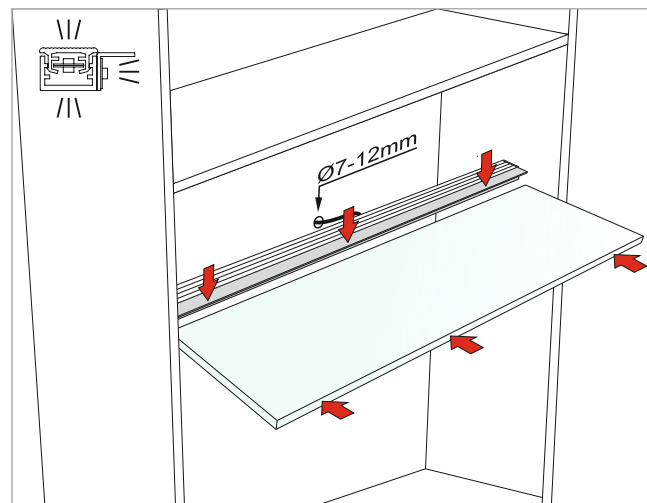
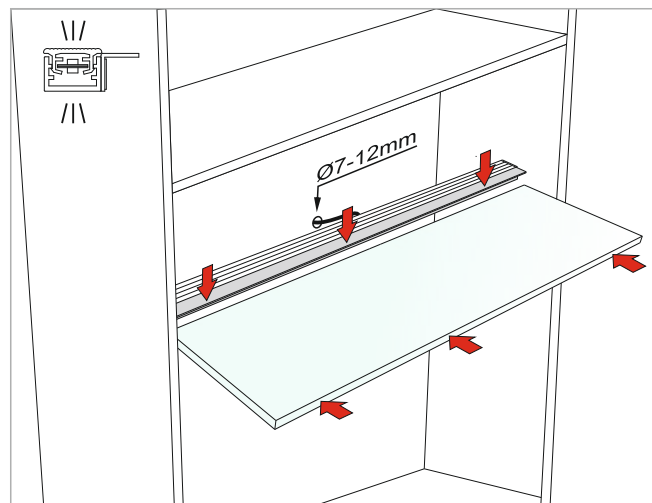


### PROFIL TETA

10.01.05.XY X: 0 5 Y: 1 2 3 4 5 6 7



Xmm -Inne długości na zamówienie /  
Xmm -Other lengths on request /  
Xmm -Andere Längen auf Anfrage /  
Xmm -Иная длина по запросу /



## TAU SWITCH

10.01.28.XY/200/W X: 2 Y: 1 2 /TAU switch /TAU Hauptschalter /TAU с выкл. Сенсорным

- A<sup>++</sup>
- A<sup>+</sup>
- A**
- B
- C
- D
- E



X mm -Inne długości na zamówienie /  
X mm -Other lengths on request /  
X mm -Andere Längen auf Anfrage /  
X mm -Иная длина по запросу/

## TAU

10.01.28.XY X: 2 Y: 1 2 7

- A<sup>++</sup>
- A<sup>+</sup>
- A**
- B
- C
- D
- E

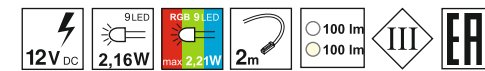
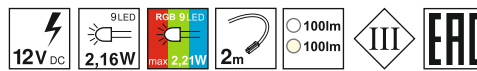
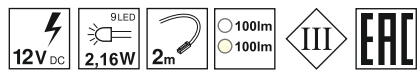
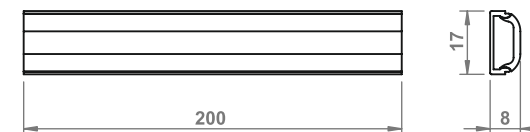
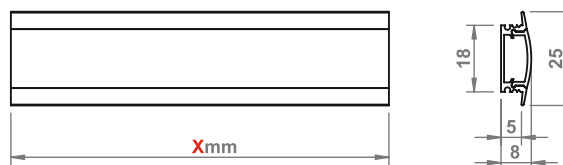
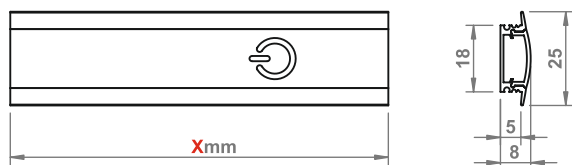
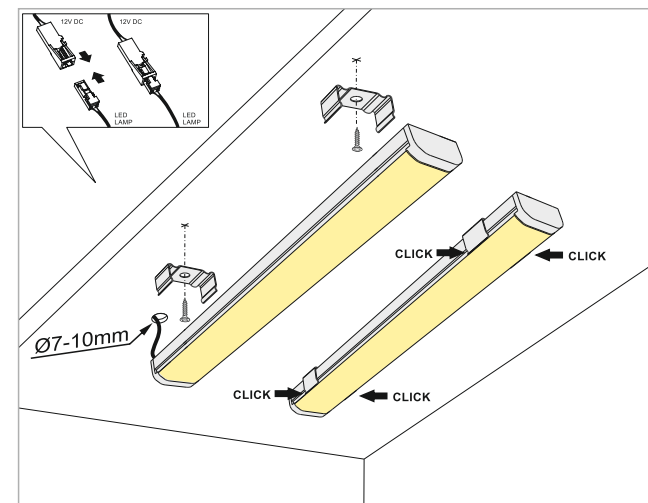
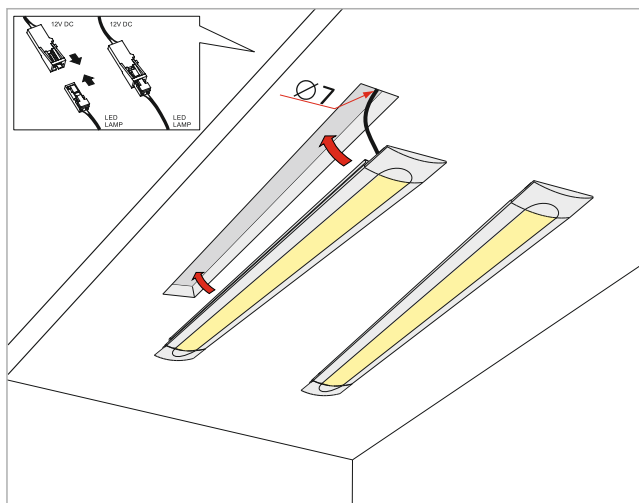
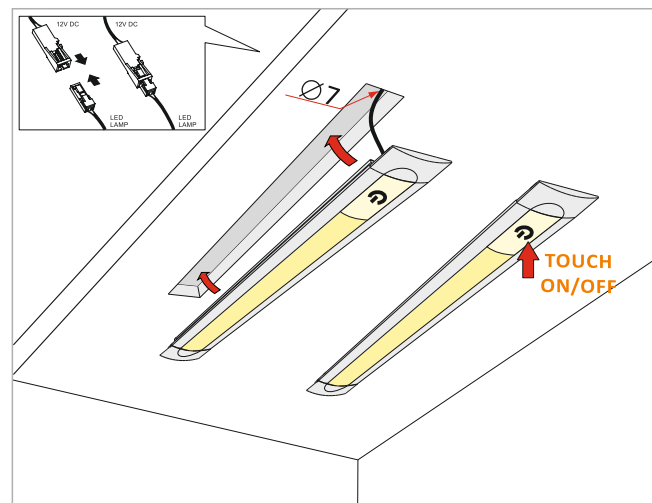


X mm -Inne długości na zamówienie /  
X mm -Other lengths on request /  
X mm -Andere Längen auf Anfrage /  
X mm -Иная длина по запросу/

## OMEGA 200mm

10.01.26.XY/200 X: 2 Y: 1 2 7

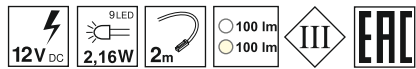
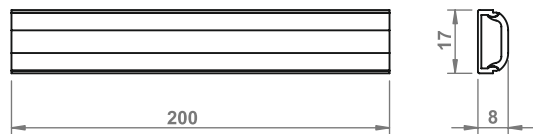
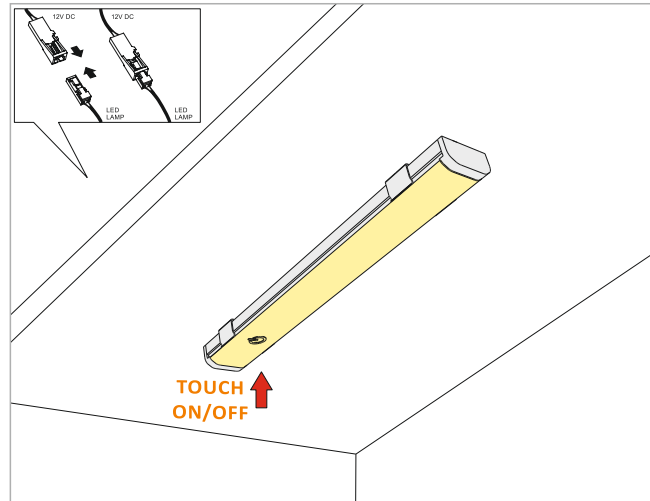
- A<sup>++</sup>
- A<sup>+</sup>
- A**
- B
- C
- D
- E



### OMEGA SWITCH 200mm

10.01.26.XY/200W X: 2 Y: 1 2 /Omega switch /Omega Hauptschalter / Omega мастер с выключателем/

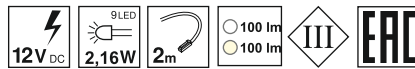
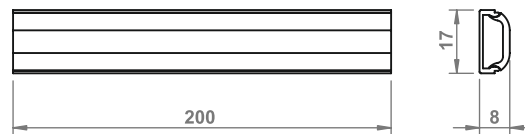
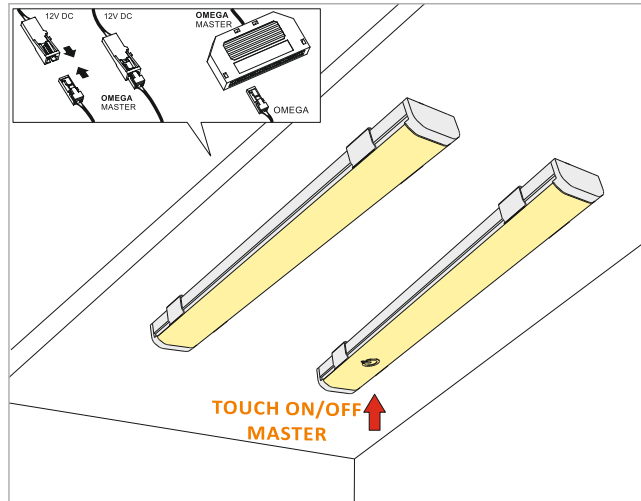
- A<sup>++</sup>
- A<sup>+</sup>
- A
- B
- C
- D
- E



### OMEGA SWITCH MASTER 200mm

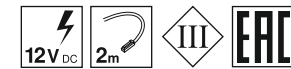
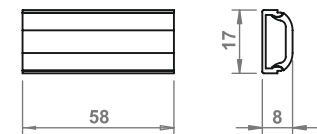
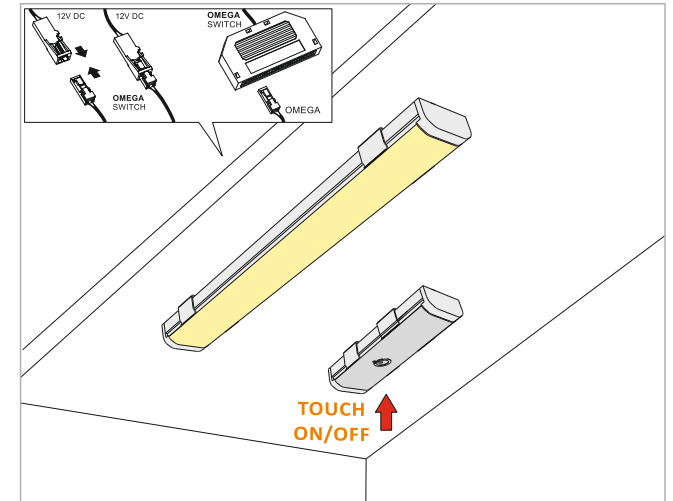
10.01.26.XY/200WM X: 2 Y: 1 2 /Omega Master switch /Omega Master mit Schalter / Omega мастер с выключателем/

- A<sup>++</sup>
- A<sup>+</sup>
- A
- B
- C
- D
- E



### OMEGA SWITCH

10.01.26.X/W X: 2 /Omega switch /Omega Hauptschalter / Omega выключатель/

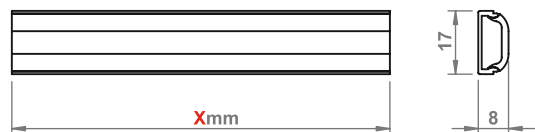
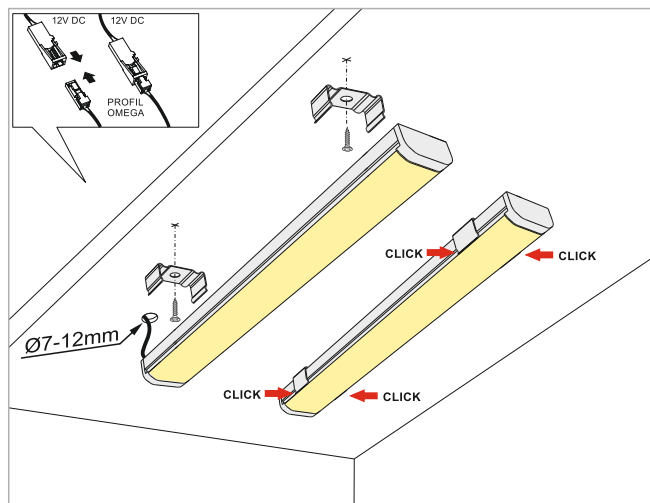


## PROFILE OMEGA

10.01.26.XY X: 2 Y: 1 2 3 4 5 6 7



X mm -Inne długości na zamówienie /  
X mm -Other lengths on request /  
X mm-Andere Längen auf Anfrage /  
X mm-Инная длина по запросу/



## PROFILE LM

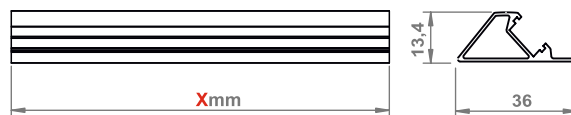
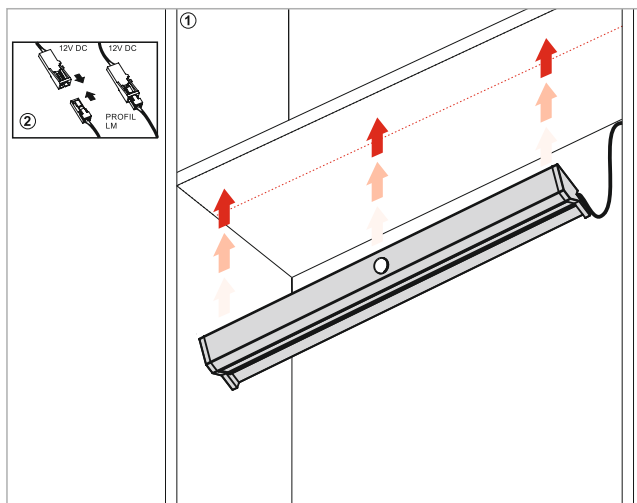
10.01.40.XY X: 1 2 4 8 Y: 1 2 3 4 5 6 7



PROFILE LM PIR  
10.01.93.XY/PIR

X mm -Inne długości na zamówienie /  
X mm -Other lengths on request /  
X mm-Andere Längen auf Anfrage /  
X mm-Инная длина по запросу/

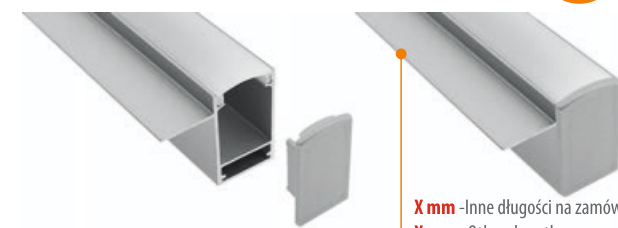
PROFILE LM  
10.01.40.XY



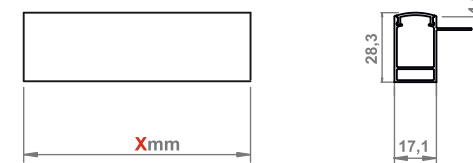
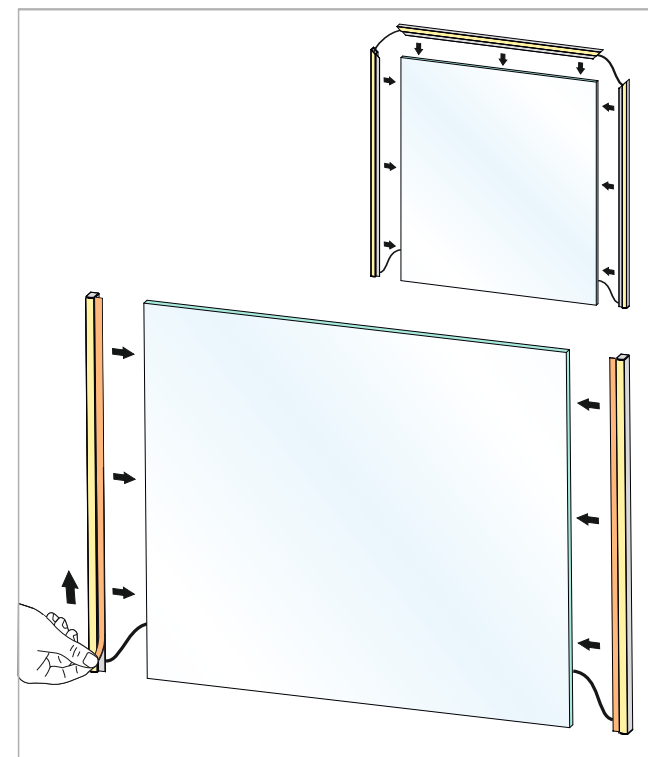
## PROFIL MIRROR / IP44

10.01.100.XY X: 2 Y: 1 2 3 4 5 6 7

NEW  
2019



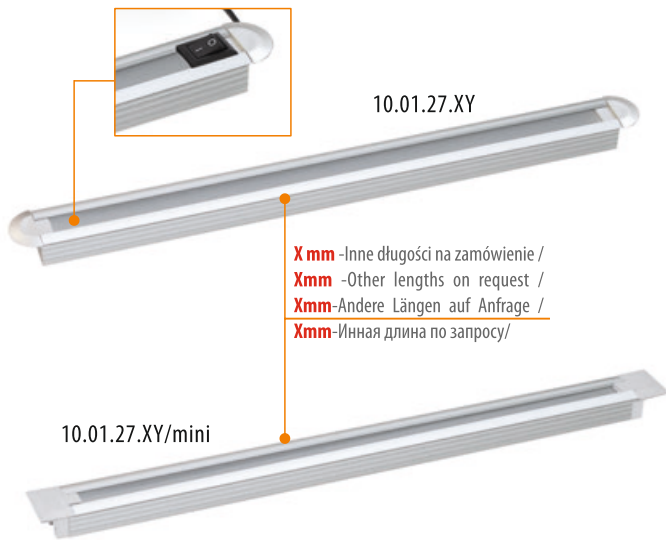
X mm -Inne długości na zamówienie /  
X mm -Other lengths on request /  
X mm-Andere Längen auf Anfrage /  
X mm-Инная длина по запросу/



PROFILE LAMBDA / PROFILE LAMBDA mini

NEW  
2019

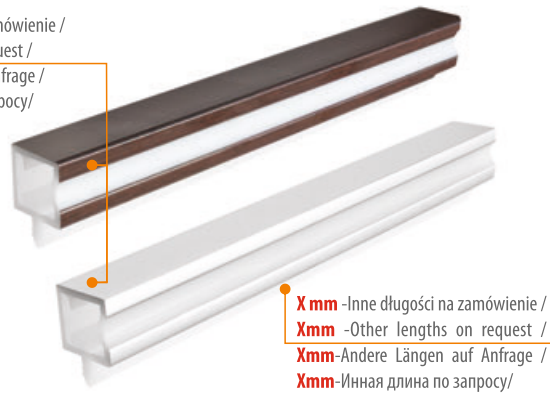
X: 2 4 8 Y: 1 2 3 4 5 6 7



PROFILE AP

10.01.33.XY Y: 1 2 3 4 5 6 7

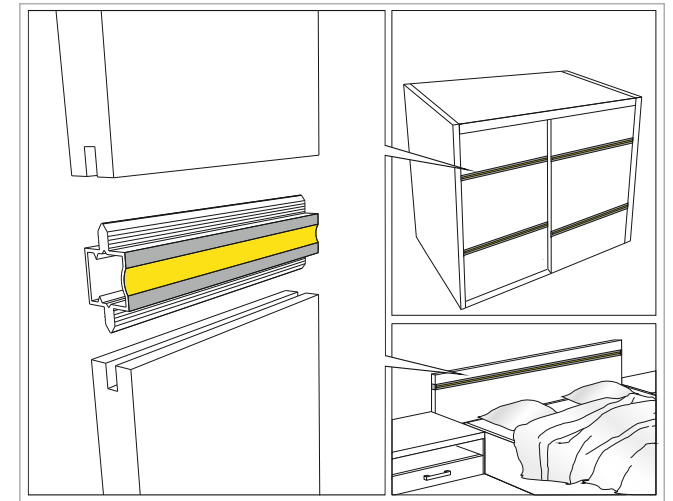
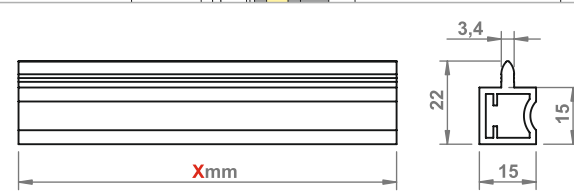
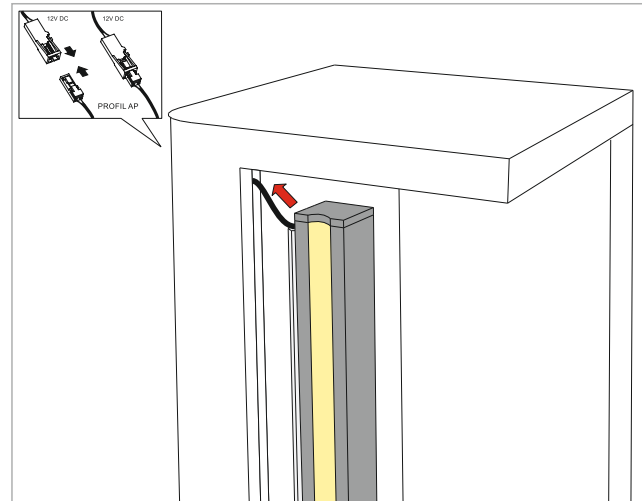
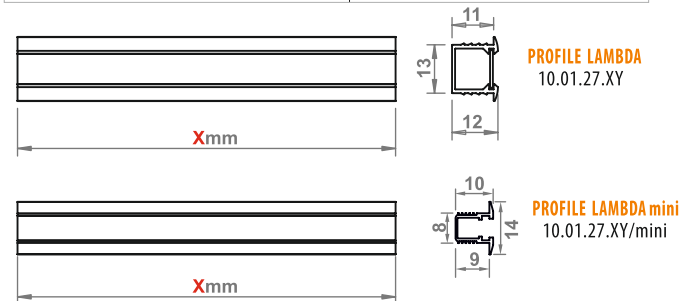
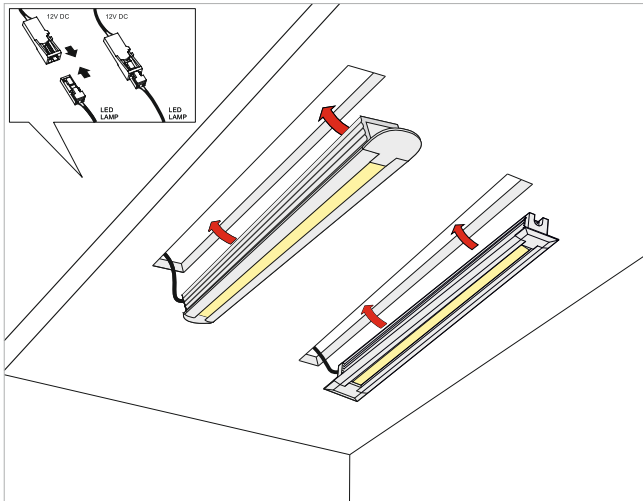
Kolory na zamówienie /  
Colors on request /  
Farben auf Anfrage /  
цвета по запросу/



PROFILE AP 2H

10.01.33.XY/2H Y: 1 2 3 4 5 6 7

Kolory na zamówienie /  
Colors on request /  
Farben auf Anfrage /  
цвета по запросу/



### PROFILE KWADRO

10.01.42.XY X: 2 Y: 1 2 3 4 5 6 7



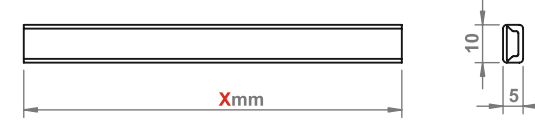
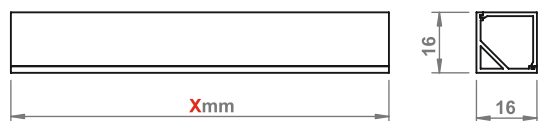
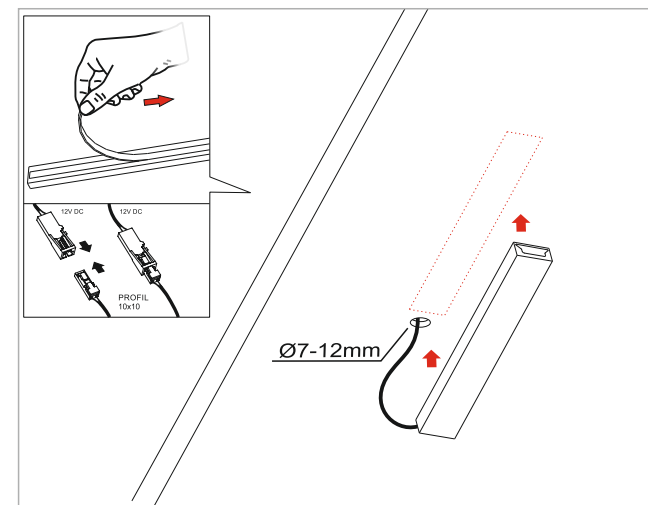
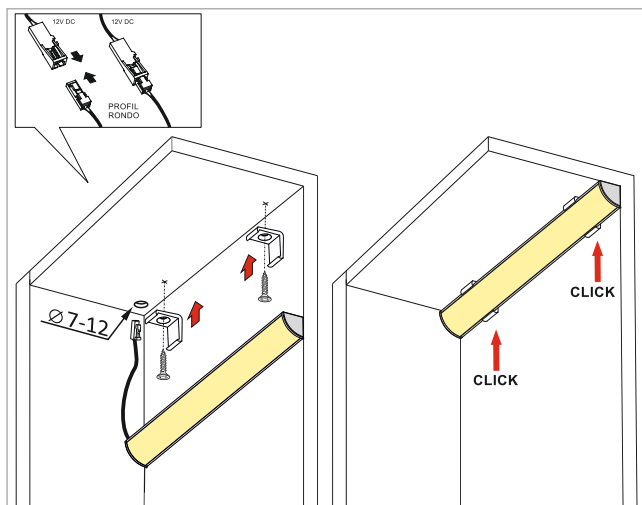
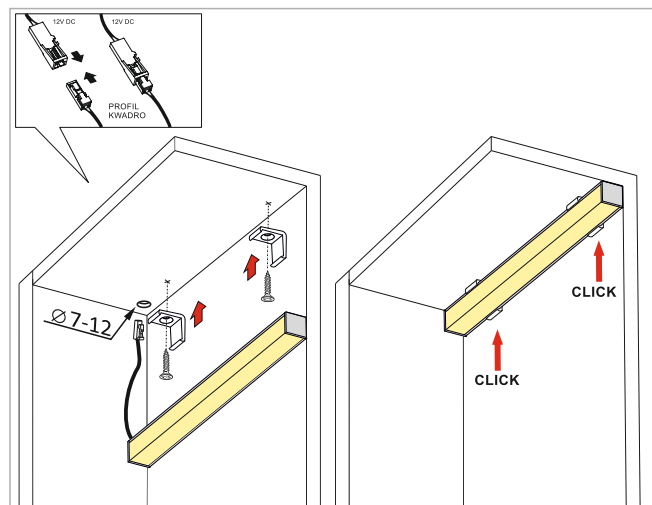
### PROFILE RONDO

10.01.41.XY X: 2 Y: 1 2 3 4 5 6 7



### PROFILE 5x10

10.01.59.XY X: 5 Y: 1 2 3 4 5 6 7



**PROFILE 10x10**

10.01.34.XY X: 5 Y: 1 2 3 4 5 6 7



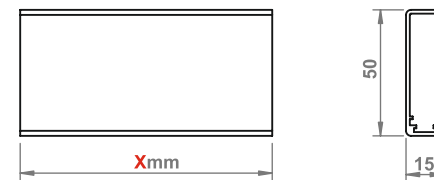
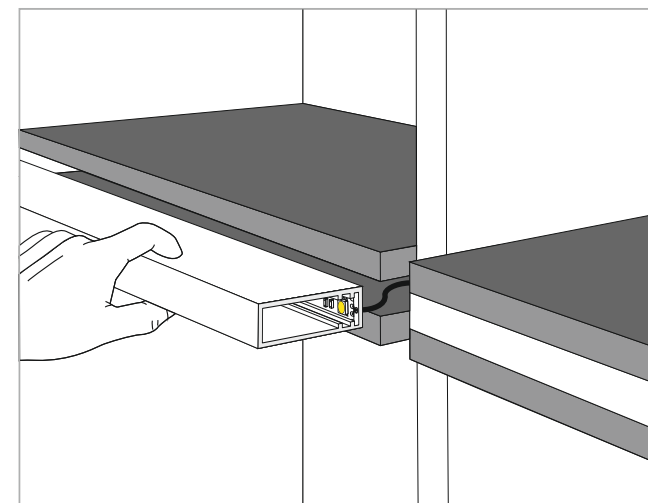
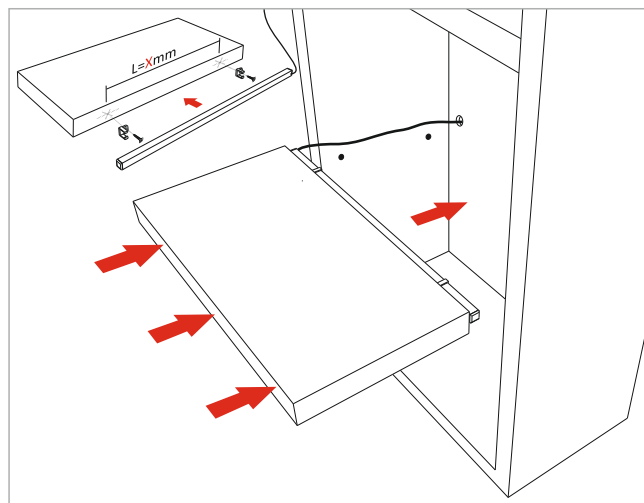
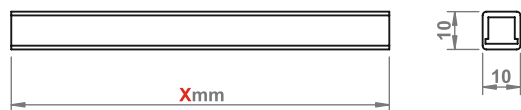
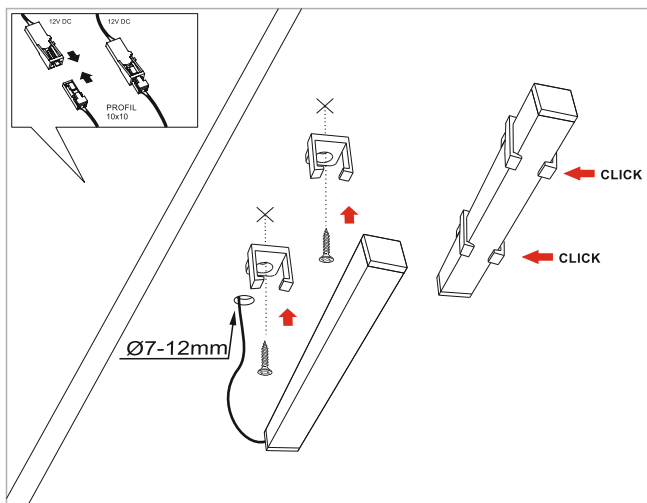
**PROFILE 15x15**

10.01.13.XY X: 5 Y: 1 2 3 4 5 6 7



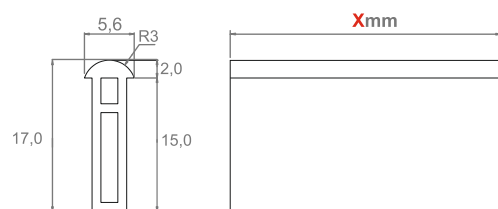
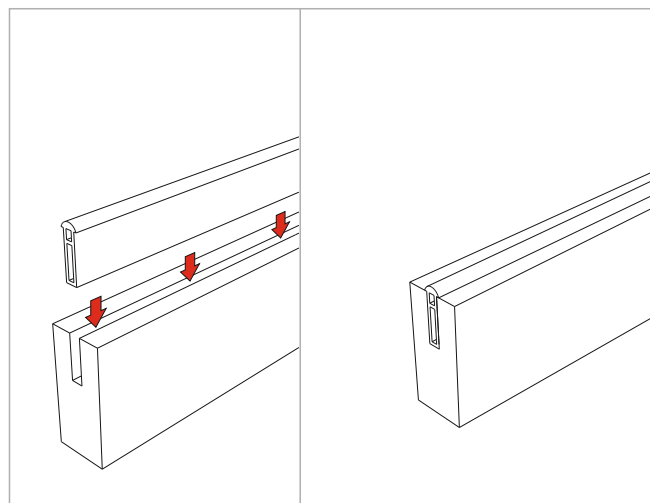
**PROFILE 15x50**

10.01.14.XY X: 5 Y: 1 2 3 4 5 6 7



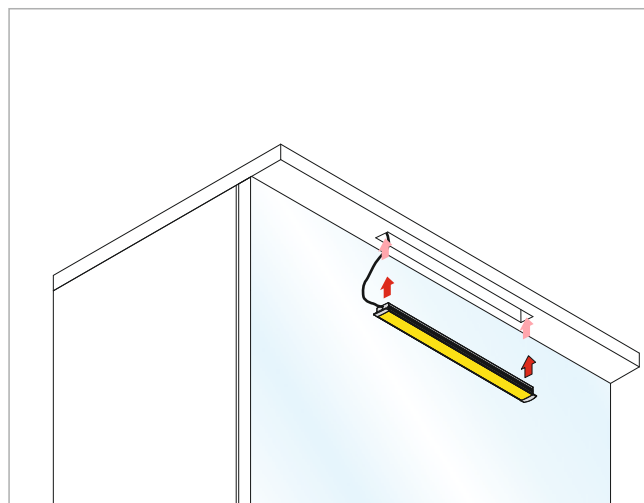
### PROFILE 5x17

10.01.89.XY X: 5 Y: 1 2 3 4 5 6



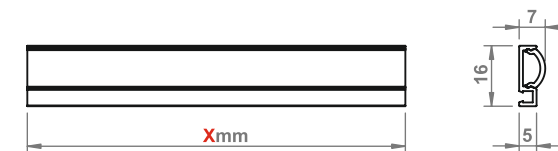
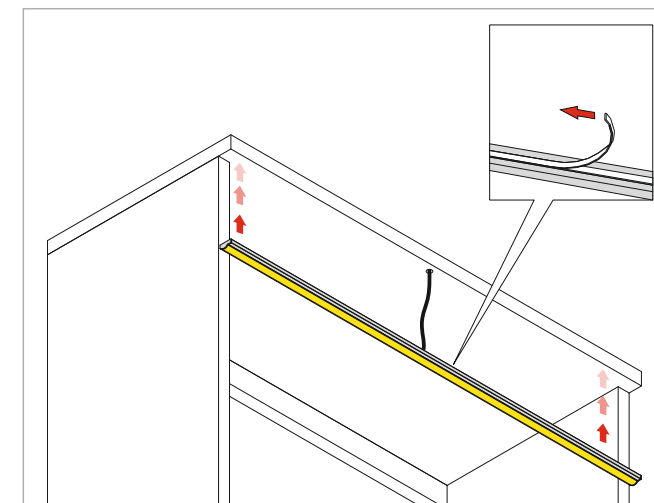
### PROFILE PI 29x15

10.01.81.XY/29x15 X: 5 Y: 1 2 3 4 5 6 7



### PROFILE XI 16x7

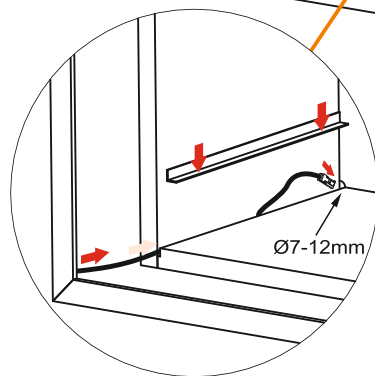
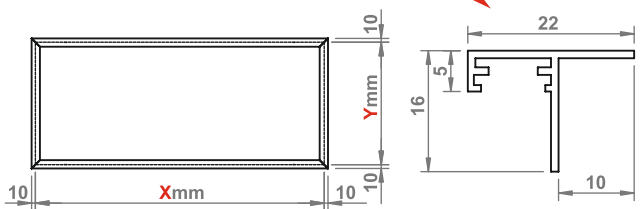
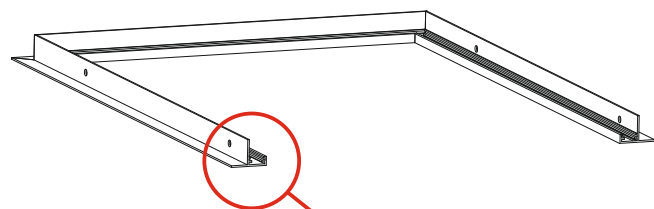
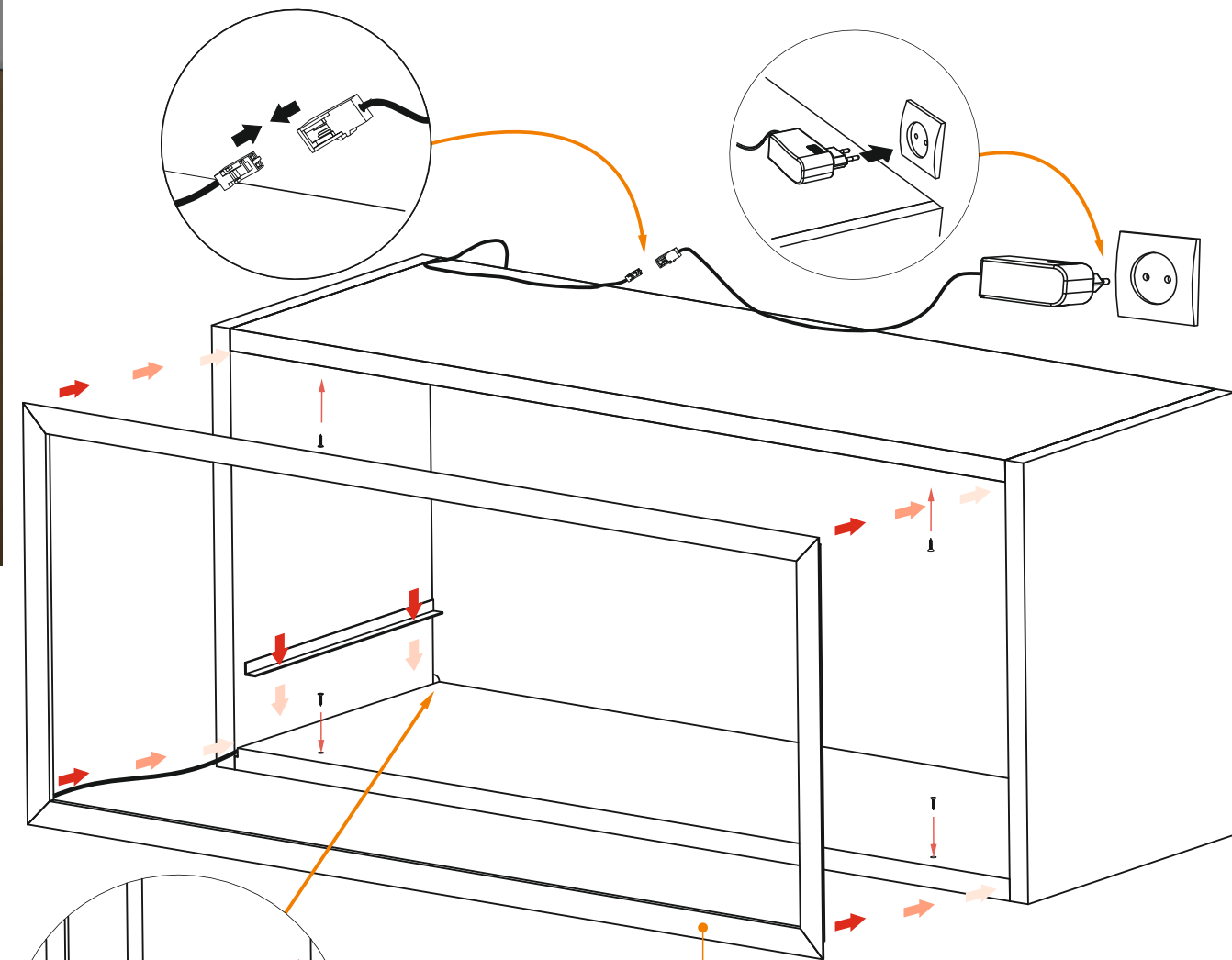
10.01.82.XY X: 2 Y: 1 2 3 4 5 6 7





# FRAME PROFILE 22x16

10.01.80.XY X: 2 Y: 1 2 7 /Profil rama 22x16 /Profilrahmen 22x16/ Профиль рамы 22x16

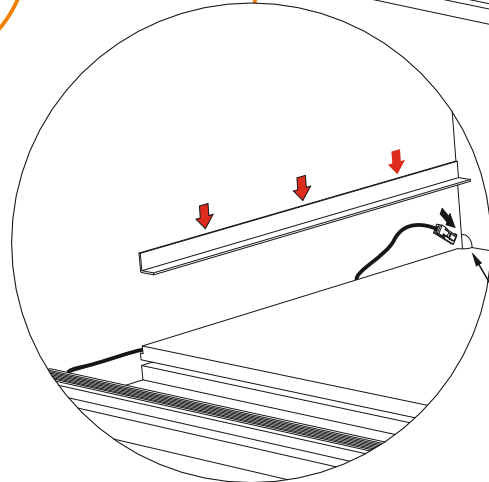
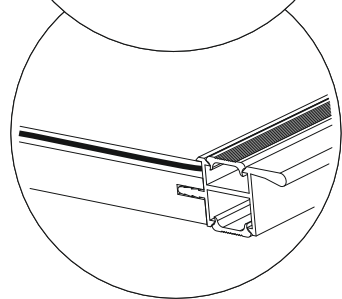
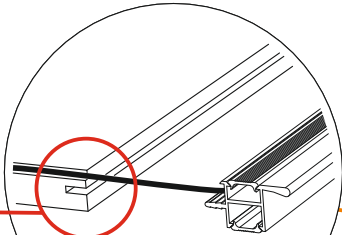
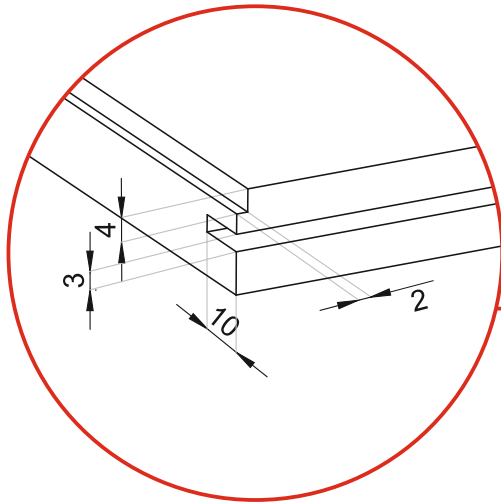
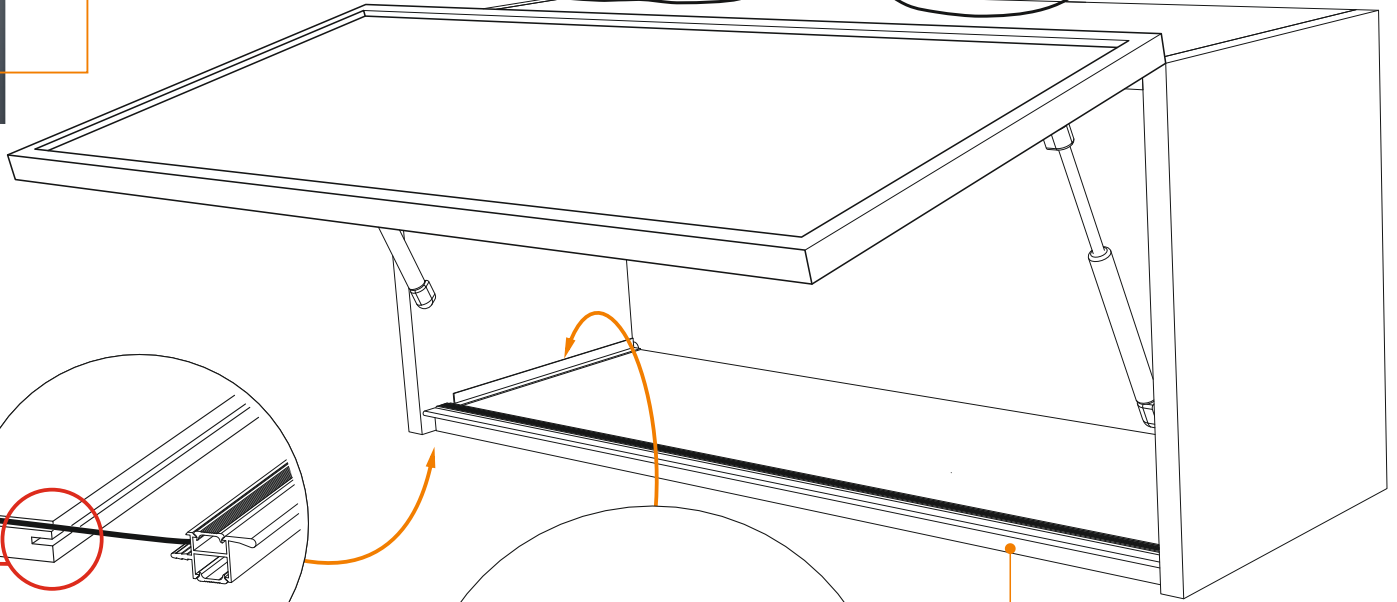
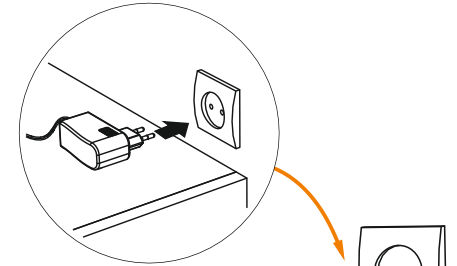
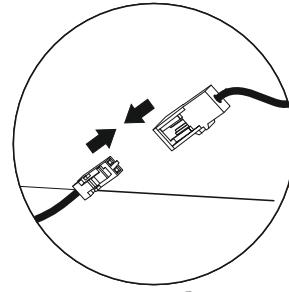


X mm -Inne długości na zamówienie /  
 Xmm -Other lengths on request /  
 Xmm-Andere Längen auf Anfrage /  
 Xmm-Инная длина по запросу/



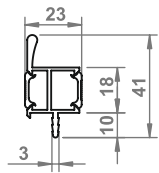
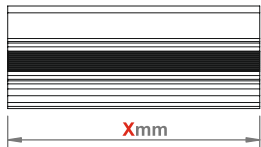
**PROFIL KT**

10.01.43.XY X: 2 3 4 5 6 7 Y: 1 2 3 4 5 6 7



Ø7-12mm

Xmm -Inne długości na zamówienie /  
 Xmm -Other lengths on request /  
 Xmm-Andere Längen auf Anfrage /  
 Xmm-Инная длина по запросу/



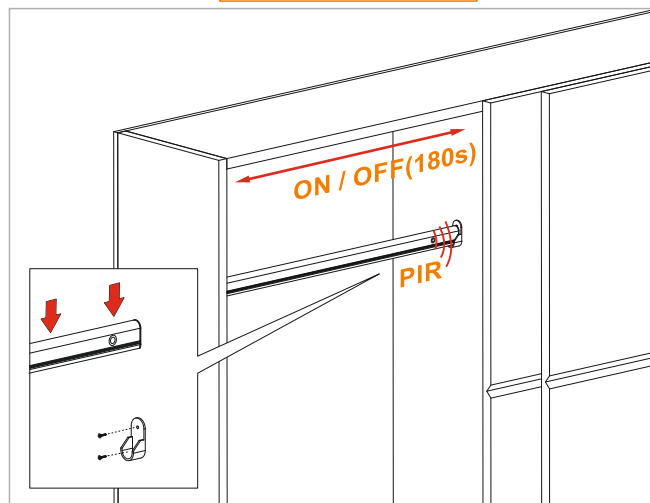
### PROFIL D 15x27

10.01.66.XY/D X: 2 3 4 5 6 7 Y: 1 2 3 4 5 6 7



1A-12W

Xmm -Inne długości na zamówienie /  
Xmm -Other lengths on request /  
Xmm -Andere Längen auf Anfrage /  
Xmm -Инная длина по запросу/

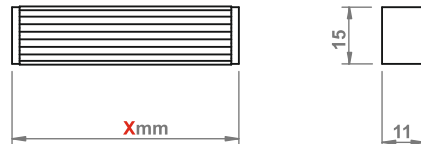
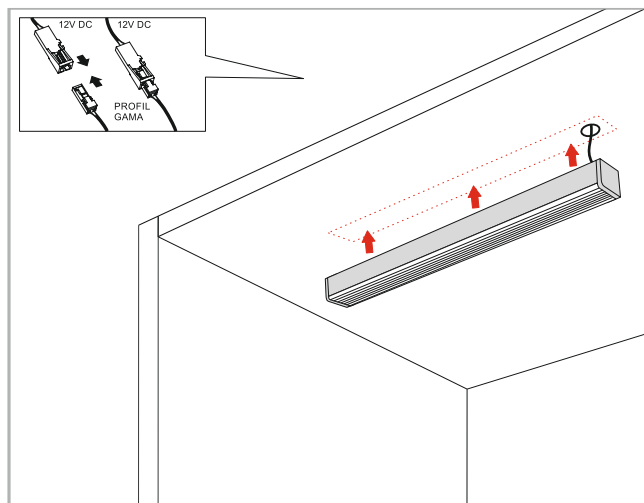


### PROFILE GAMA

10.01.06.XY X: 2 3 4 5 6 7 Y: 1 2 3 4 5 6 7

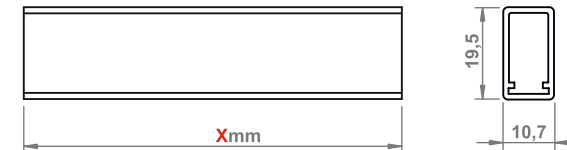
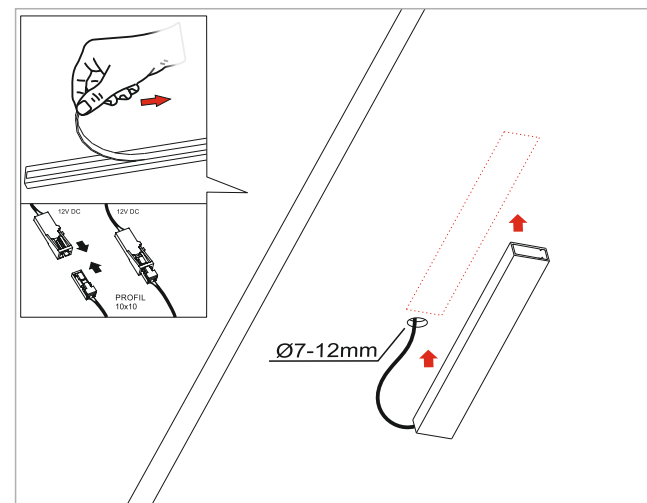


Xmm -Inne długości na zamówienie /  
Xmm -Other lengths on request /  
Xmm -Andere Längen auf Anfrage /  
Xmm -Инная длина по запросу/



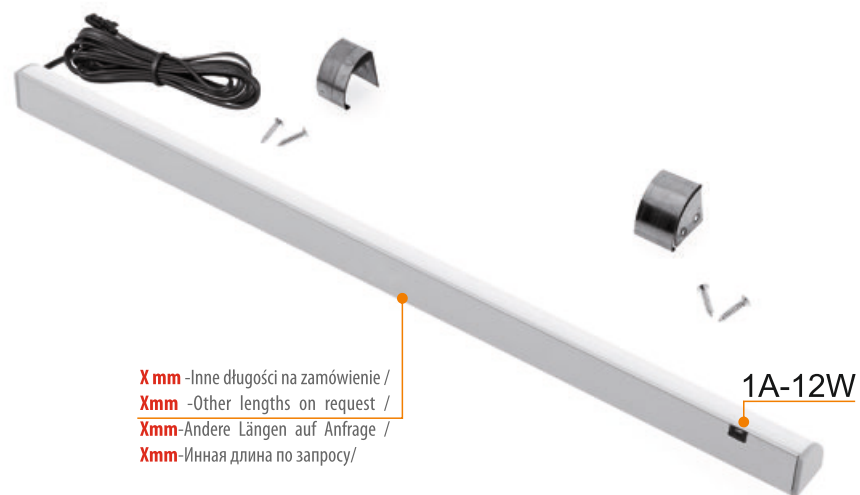
### PROFILE 10x20

10.01.124.XY X: 5 Y: 1 2 3 4 5 6 7



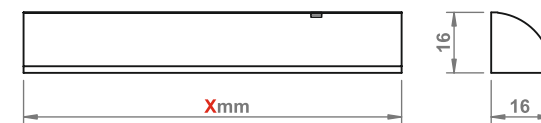
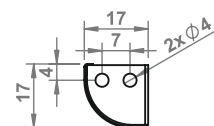
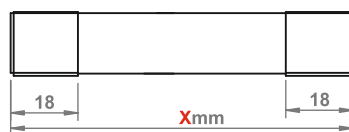
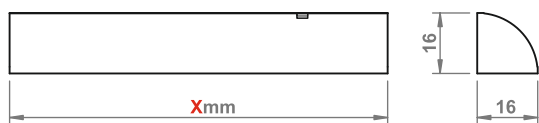
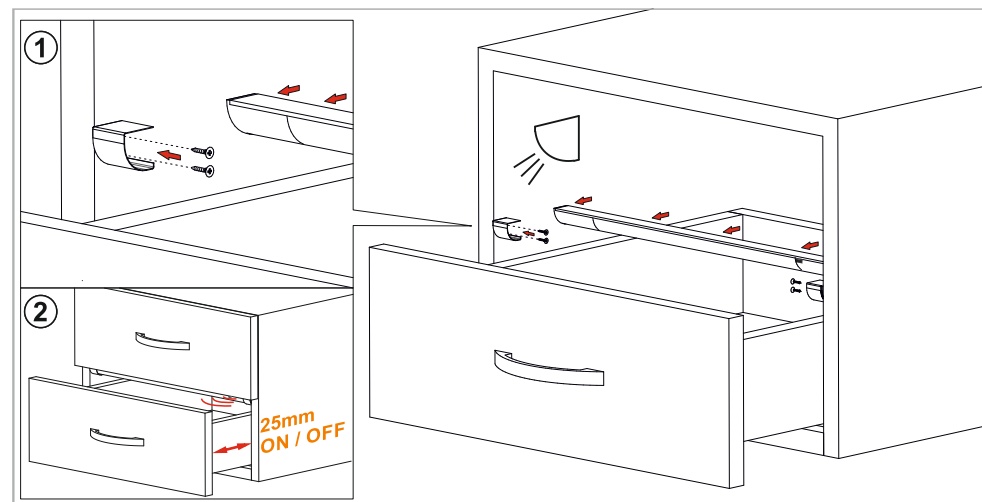
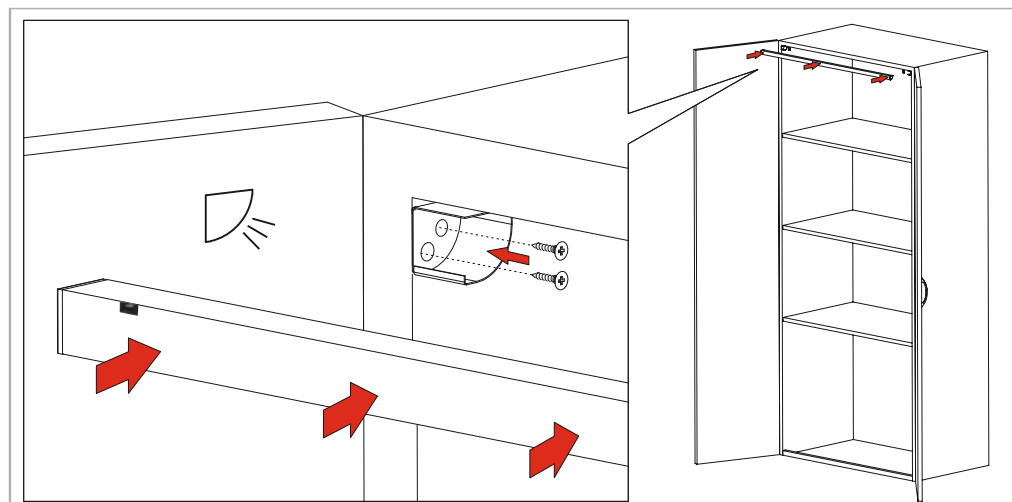
## RONDO D

10.01.62.XY/D X: 2 Y: 1 2 3 4 5 6 7



## RONDO S

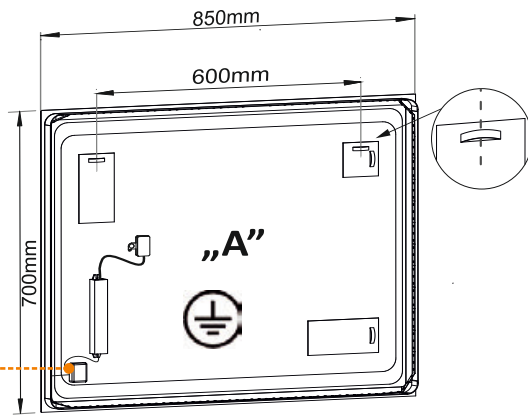
10.01.61.XY/S X: 2 Y: 1 2 3 4 5 6



MIRROR

10.01.73.Y/700x850

NEW  
2019

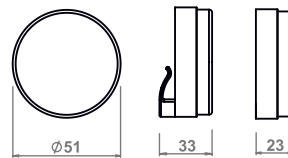
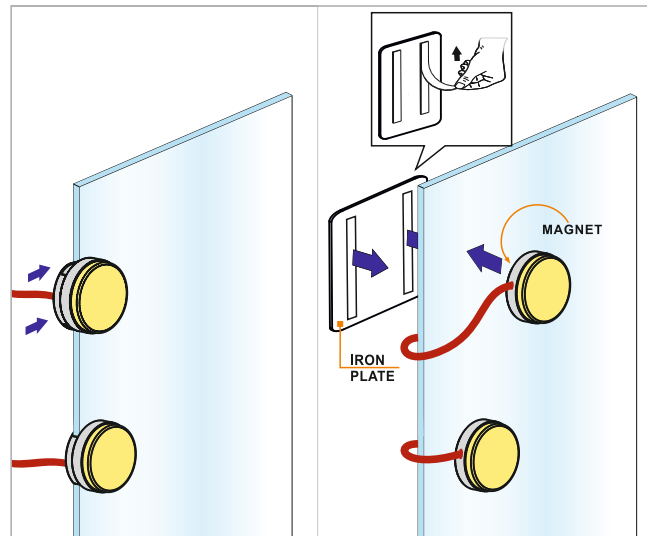
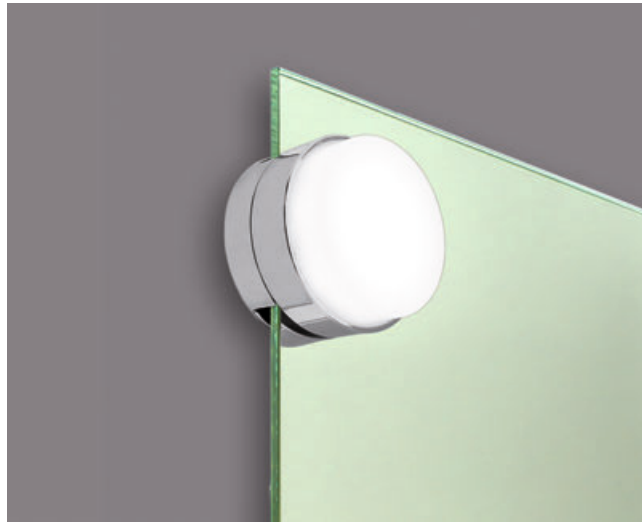


|  |                               |        |             |  |             |   |      |
|--|-------------------------------|--------|-------------|--|-------------|---|------|
|  | <b>6500K</b><br><b>280 lm</b> | ON     | OFF         |  |             |   | [mm] |
|  |                               | 15 000 | 30 000h     |  |             |   |      |
|  | <b>A</b>                      |        | <b>120°</b> |  | <b>33,0</b> | <b>IN : 230V~50Hz ;<br/>OUT LED : 12VDC MAX 30,0W</b> |      |

POLA S

10.01.97.XY X: 1 ● Y: 1 ○ 8 ○

NEW  
2019

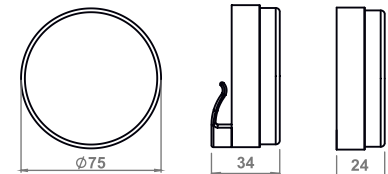
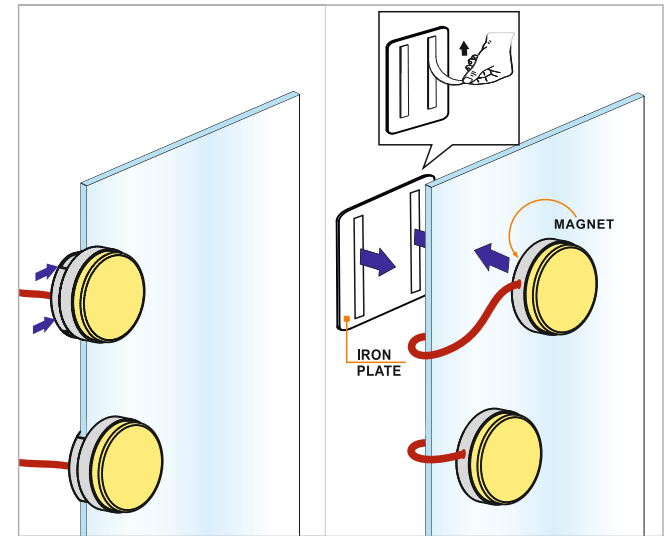


|               |                              |           |               |            |            |
|---------------|------------------------------|-----------|---------------|------------|------------|
|               |                              |           |               |            |            |
| <b>12V DC</b> | <b>12 LED</b><br><b>2,0W</b> | <b>2m</b> | <b>100 lm</b> | <b>III</b> | <b>EAC</b> |

POLA M

10.01.98.XY X: 1 ● Y: 1 ○ 8 ○

NEW  
2019

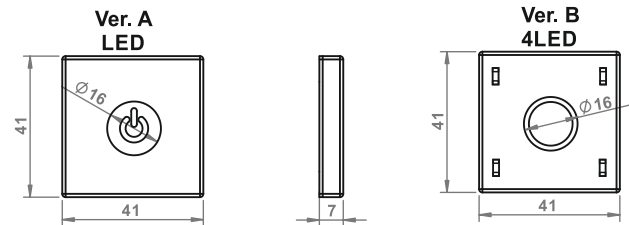
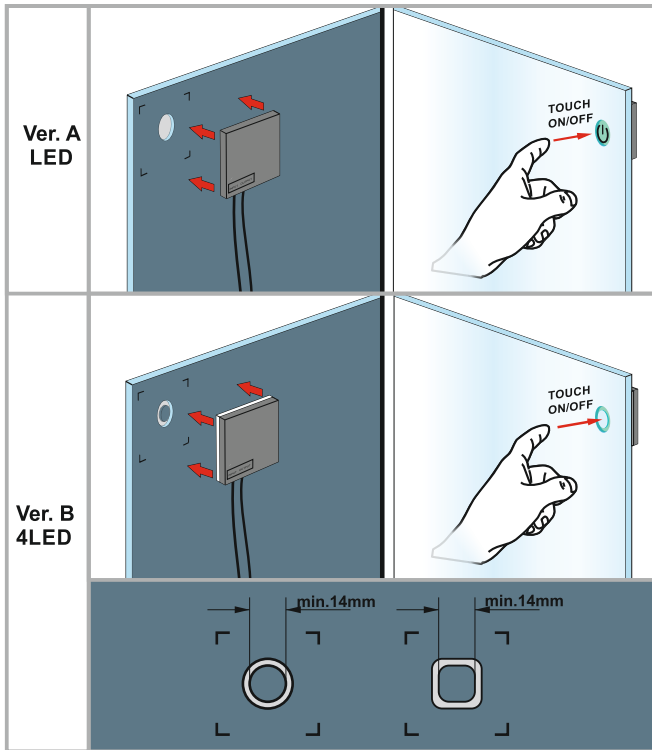


|               |                              |           |               |            |            |
|---------------|------------------------------|-----------|---------------|------------|------------|
|               |                              |           |               |            |            |
| <b>12V DC</b> | <b>30 LED</b><br><b>2,7W</b> | <b>2m</b> | <b>200 lm</b> | <b>III</b> | <b>EAC</b> |

## TOUCH SWITCH FOR MIRROR

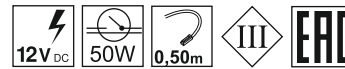
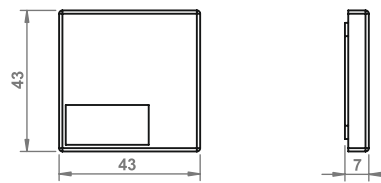
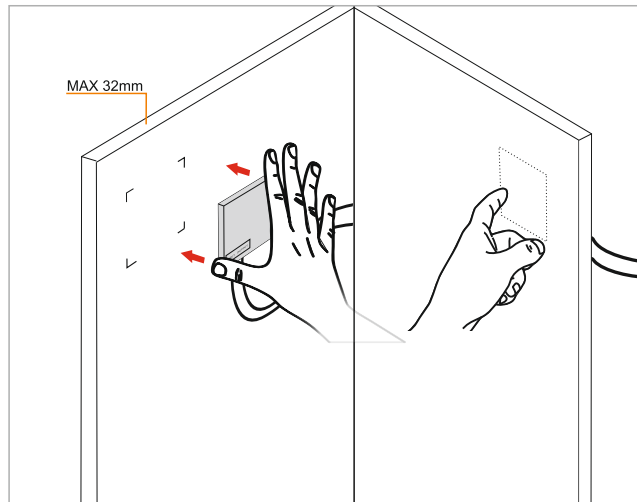
Touch switch for mirror /Berührungsschalter für Spiegel/ выключатель э/м для зеркала

10.05.09/CW Y:1○/1○ | ON/OFF  
 10.05.09/CW/DIM Y:1○/1○ | ○ | ON/OFF  
 10.05.09 Y:3●/4● | ON/OFF



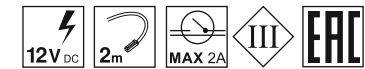
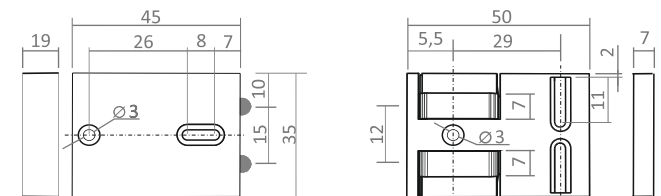
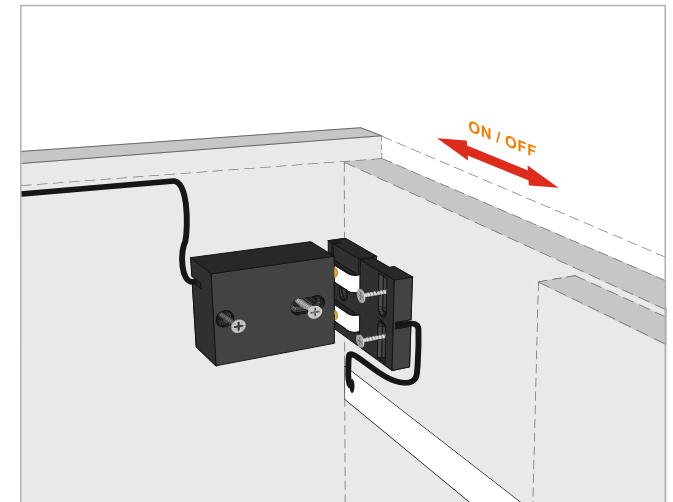
## TOUCH SWITCH FOR CHIPBOARD

10.05.10 /Touch dimmable switch for chipboard 10-25/Berührungsschalter für Holz 10-25 /  
 выключатель э/м для плит 10-25



## SWITCH STICK

10.04.15.X X: 8●4○



## SWITCH MINI

20.04.02.X/mini X: 4  8  /switch mini furniture/ Möbel Minischalter/  
переключения мини мебели



## SWITCH / SWITCH /IP44

/Switch/ Schalter/ выключатель

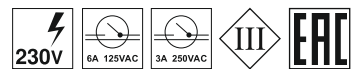
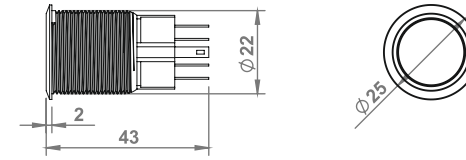
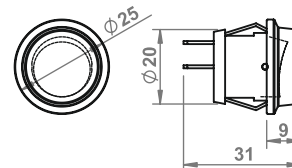
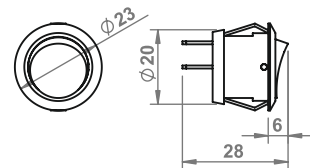
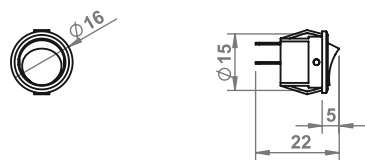
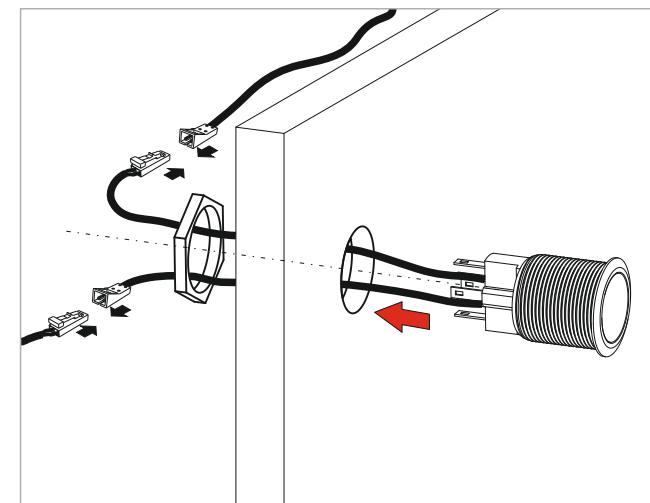
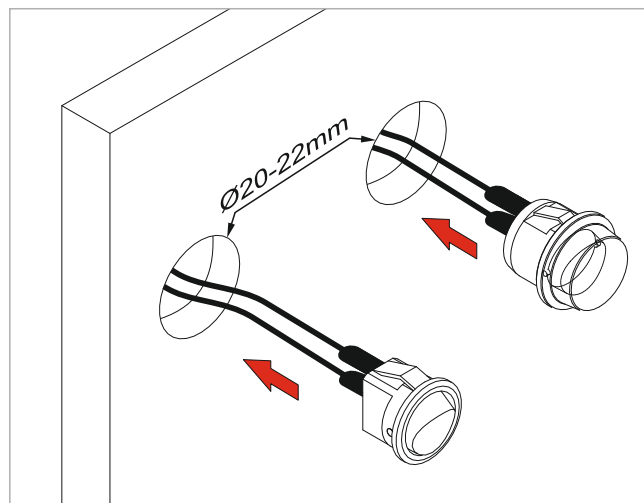
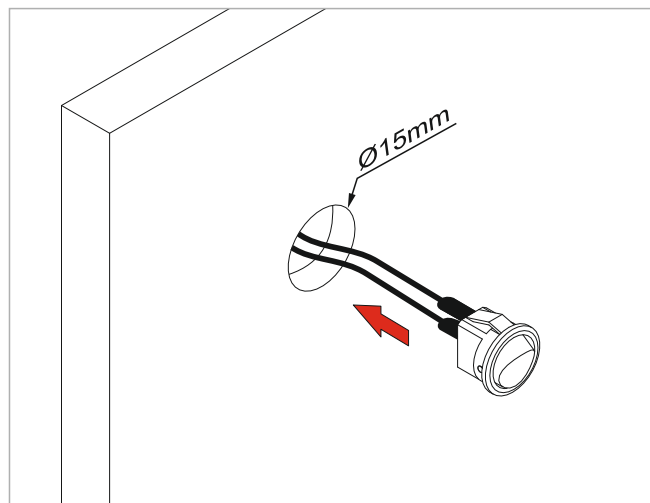
20.04.02



20.04.02/IP44

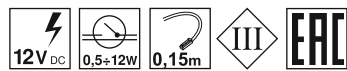
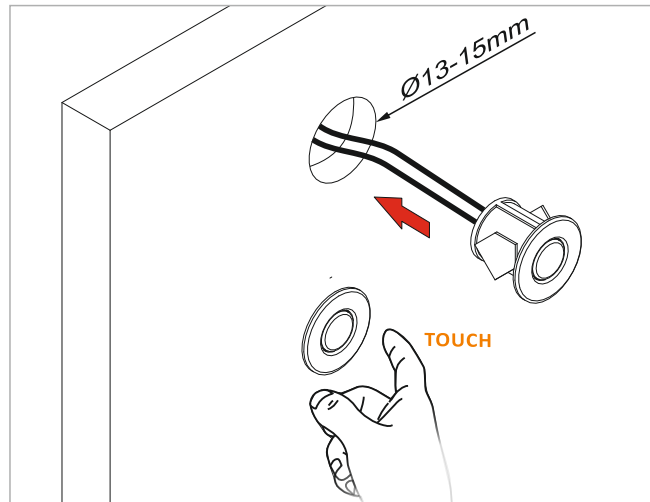
## SWITCH FI 22

10.05.14 /Switch/ Schalter/ выключатель



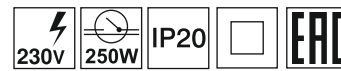
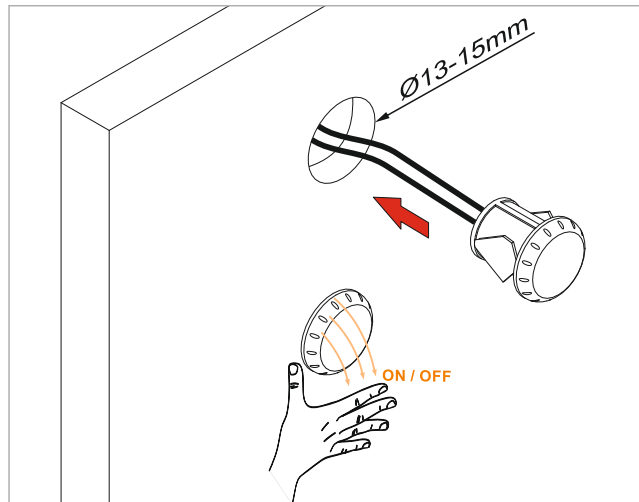
## TOUCH SWITCH WITH DIMMER

Touch dimmable switch DIMMER /Berührungsschalter dimmer /выключатель с опцией стемнения



## SWITCH WITH MOTION SENSOR

10.06.02 /switch with motion sensor/LED Sensorschalter/выключатель с датчиком движения

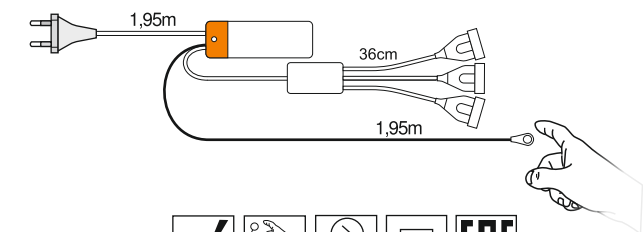
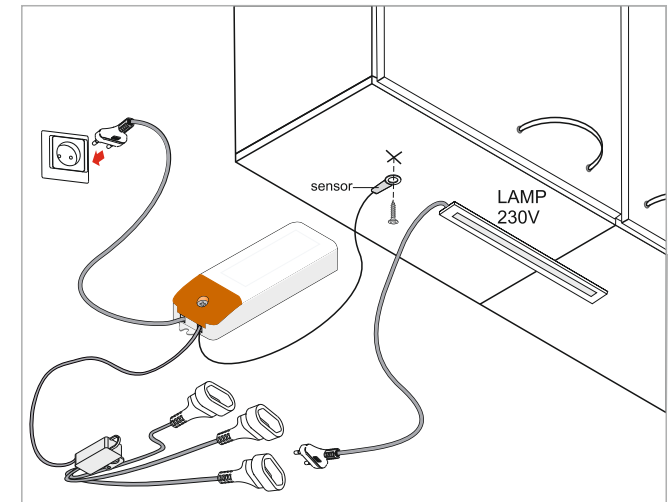


## TOUCH SWITCH

10.06.01/1



10.06.01/3





### SWITCH FOR DOOR

10.05.11/D /switch for door / Schalter für Türe/ выключатель для передвижных дверей



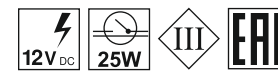
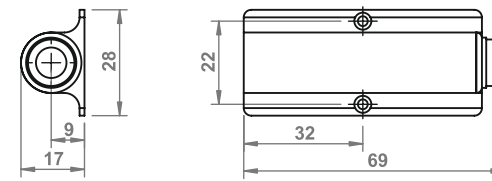
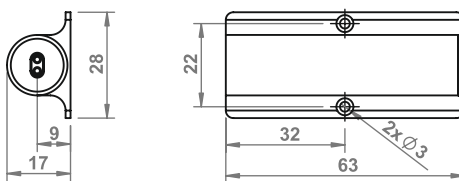
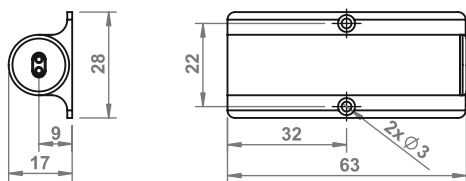
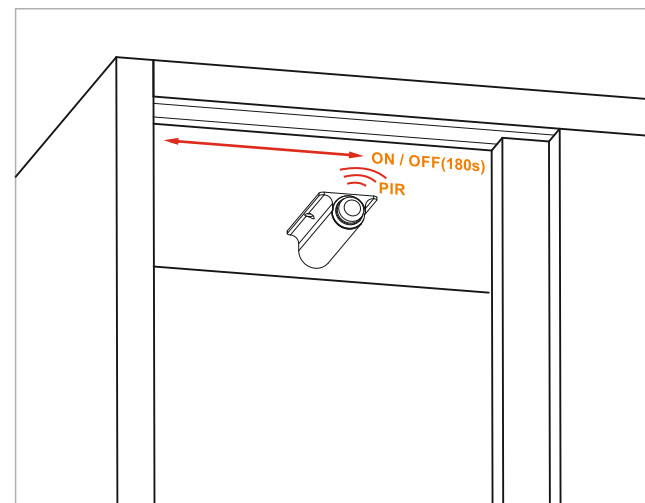
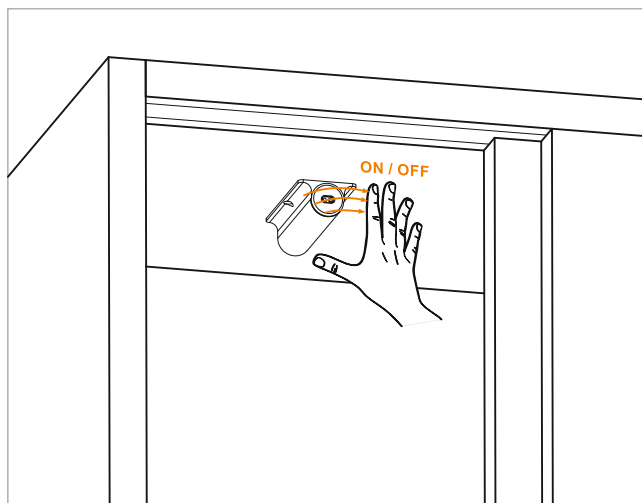
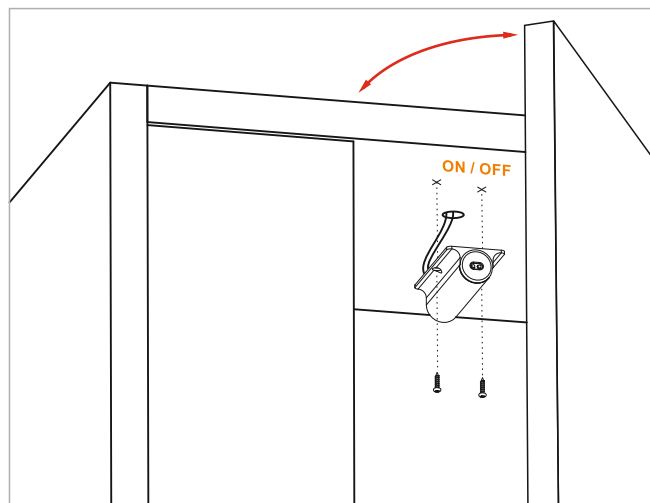
### SWITCH FOR MOVEMENT

10.05.11/M /switch for door / Schalter für Türe/ выключатель для передвижных дверей



### SWITCH PIR

10.05.11/PIR /switch PIR / Schalter PIR/ выключатель PIR



### BED SWITCH M

10.05.16.X/M X: 2 4 8



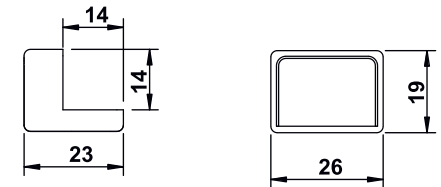
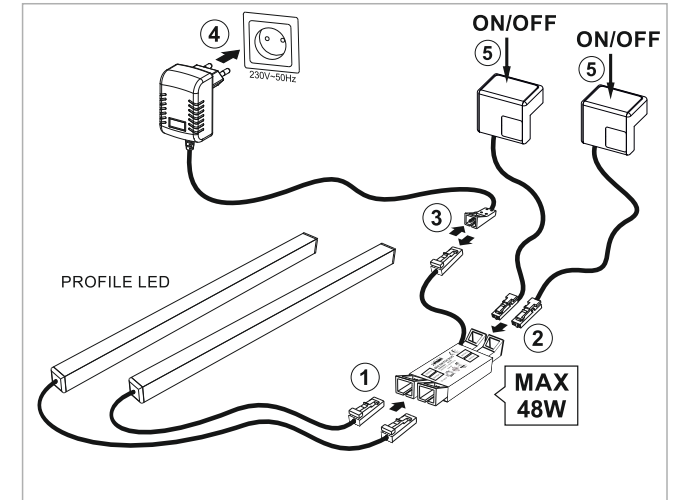
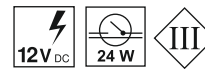
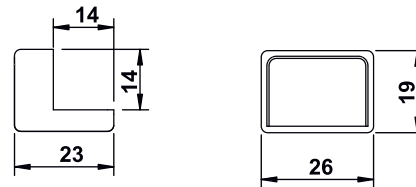
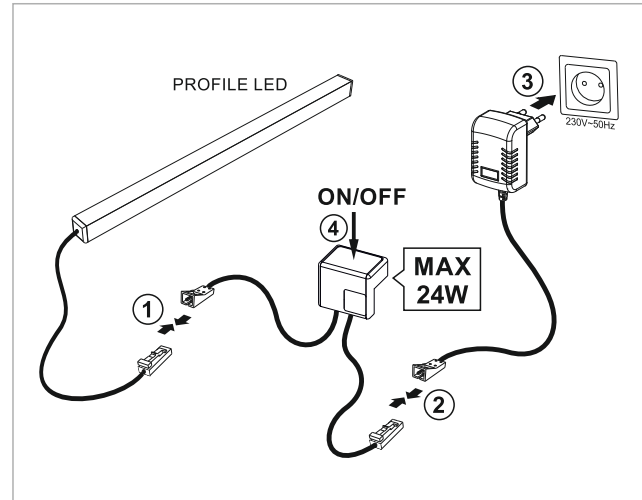
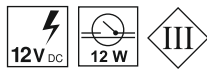
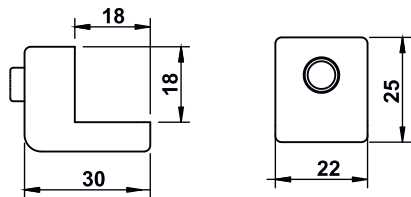
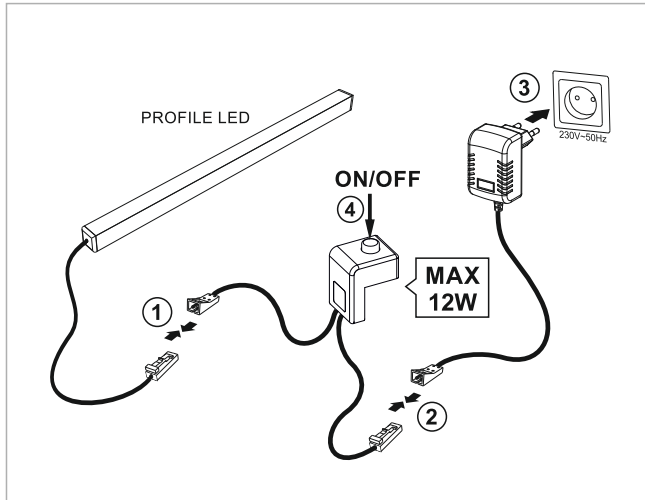
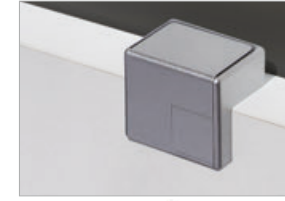
### BED SWITCH L

10.05.16.X/L X: 2 4 8   
 10.05.16.X/L/LED X: 2 4 8



### BED SWITCH DUO

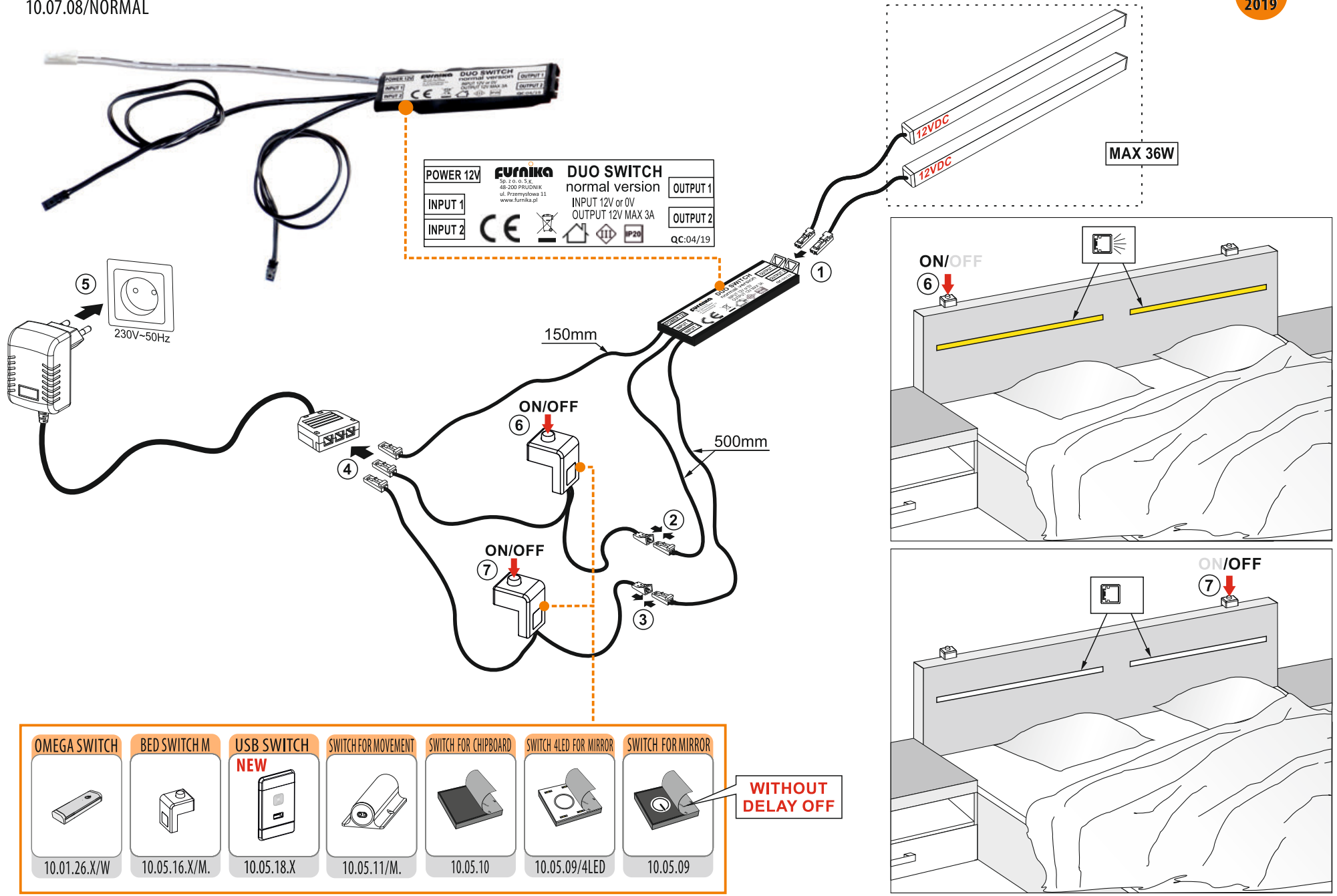
10.05.16.X/DUO X: 2 4 8   
 10.05.16.X/DUO/DIM X: 2 4 8



**DUO SWITCH NORMAL**

10.07.08/NORMAL

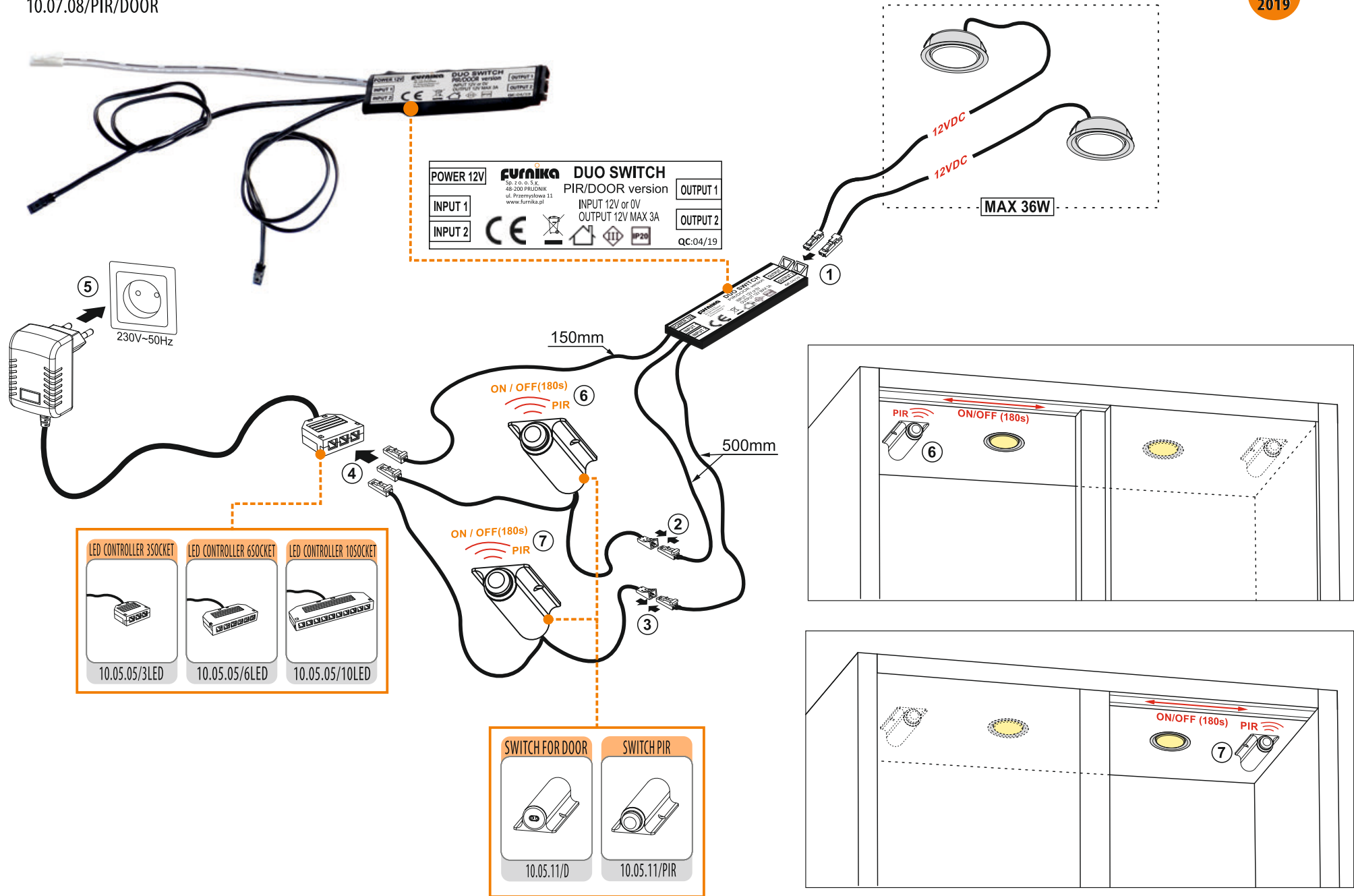
**NEW  
2019**



# DUO SWITCH PIR

10.07.08/PIR/DOOR

NEW  
2019



## SOCKET WITH SWITCH / IP44

20.04.01/IP44 F /Socket with switch IP44 / Steckdose mit Schalter IP44/ гнездо с выключателем IP44



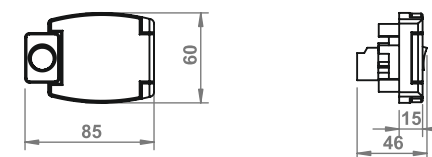
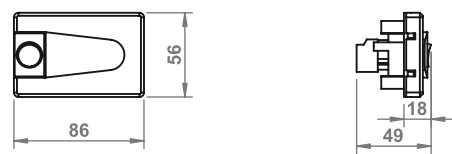
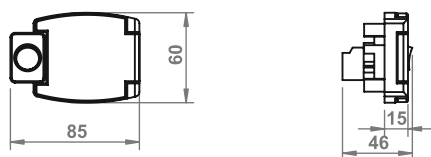
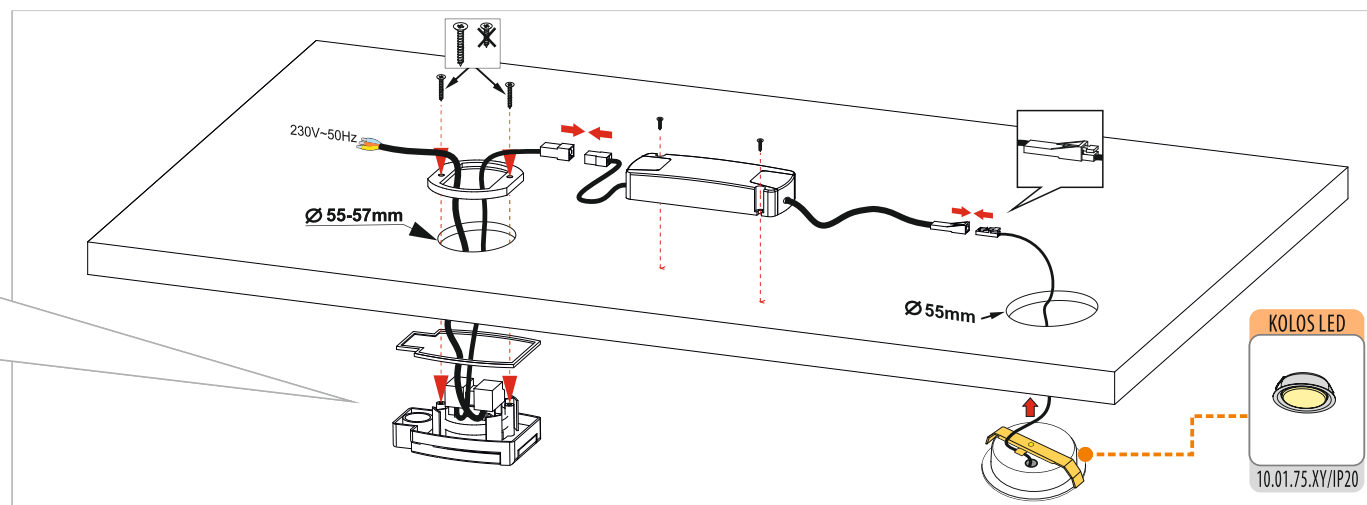
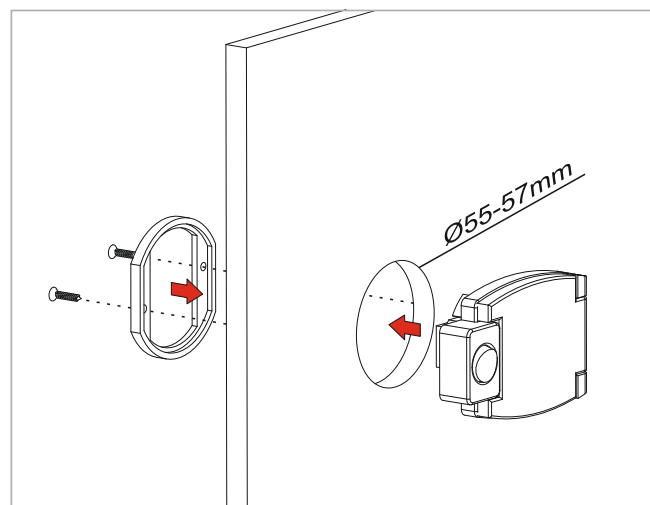
## SOCKET WITH SWITCH

20.04.01 / F /Socket with switch / Steckdose mit Schalter / гнездо с выключателем



## SOCKET WITH SWITCH / IP44

20.04.01/IP44 S /Socket with switch IP44 / Steckdose mit Schalter IP44/ гнездо с выключателем IP44



## SOCKET WITH SWITCH

20.04.01/S /Socket with switch / Steckdose mit Schalter / гнездо с выключателем



## KOMBIBOX 3 || EUROBOX 3

20.04.19/230V  
20.04.19/230V/ALU



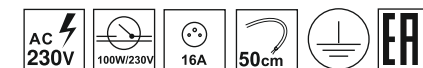
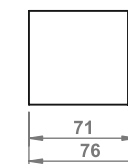
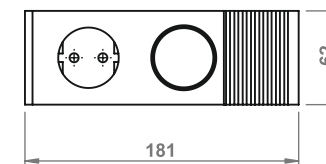
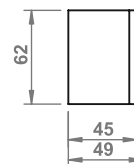
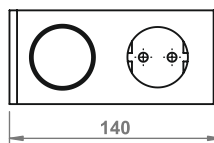
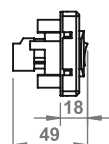
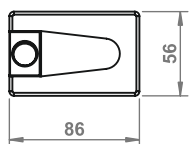
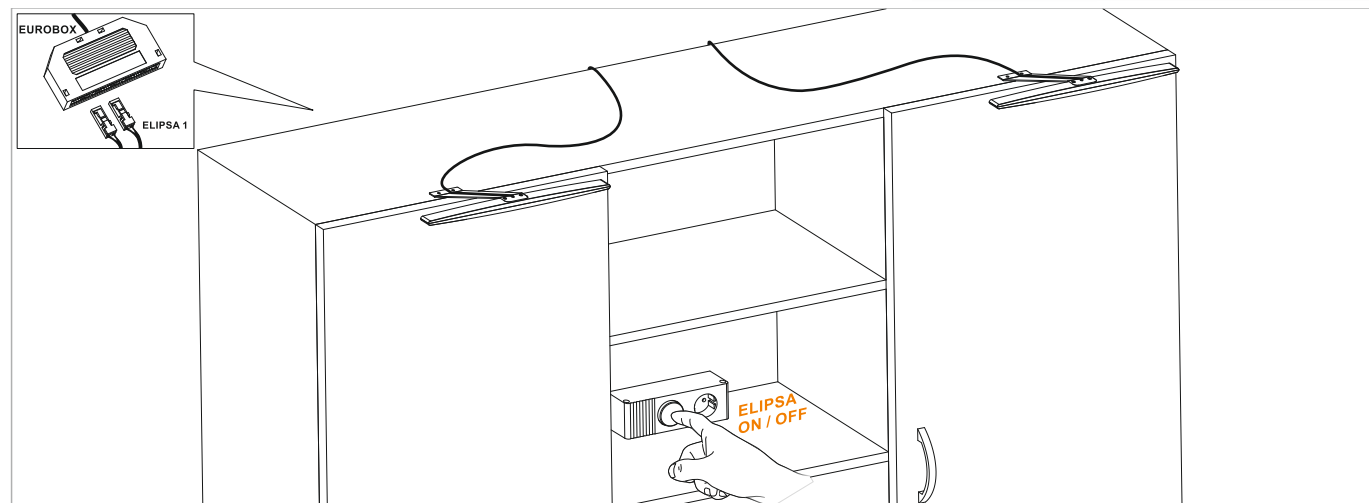
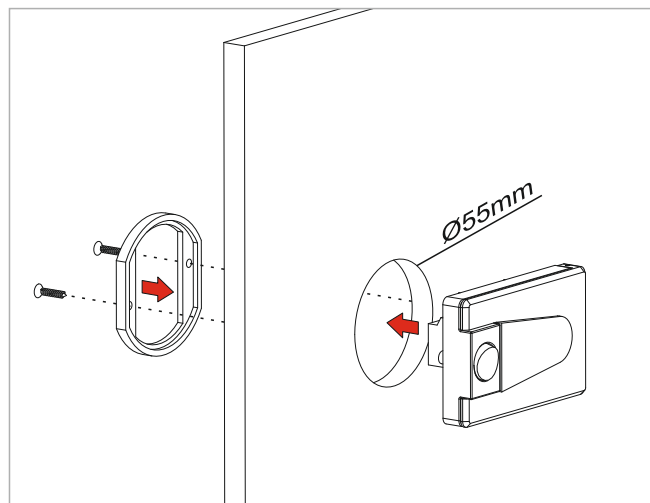
## KOMBIBOX 2 /ALU || EUROBOX 2 /ALU

20.04.16/230V /ALU  
20.04.16/12V LED / ALU  
20.04.16/12V HALOGEN / ALU



## KOMBIBOX 2 || EUROBOX 2

20.04.16/230V  
20.04.16/12V LED  
20.04.16/12V HALOGEN



NEW 2019



10.04.04/8W/IP23



10.04.04/8W/IP44

NEW 2019



10.04.04/15W/IP23



10.04.04/15W/IP44

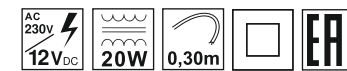
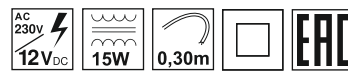
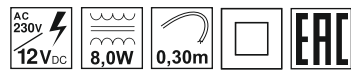
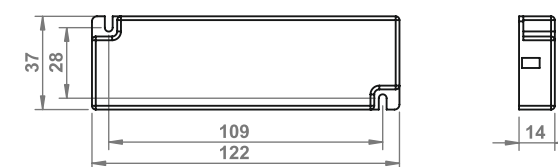
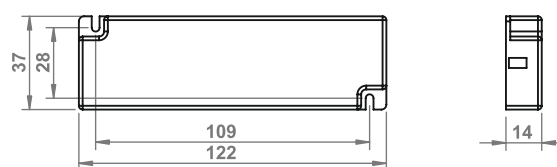
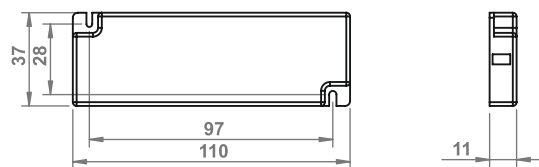
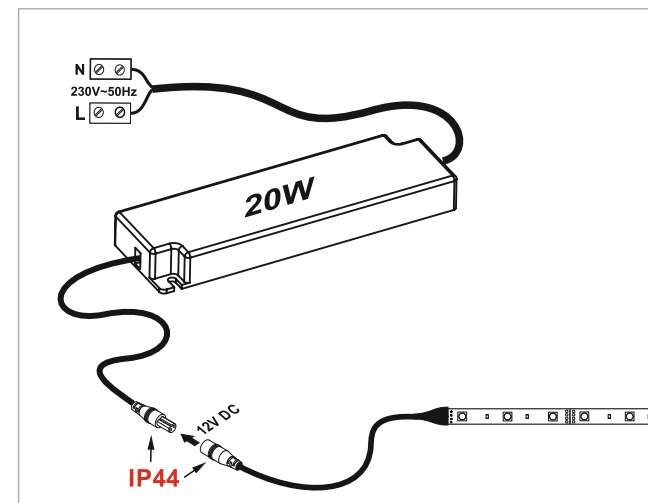
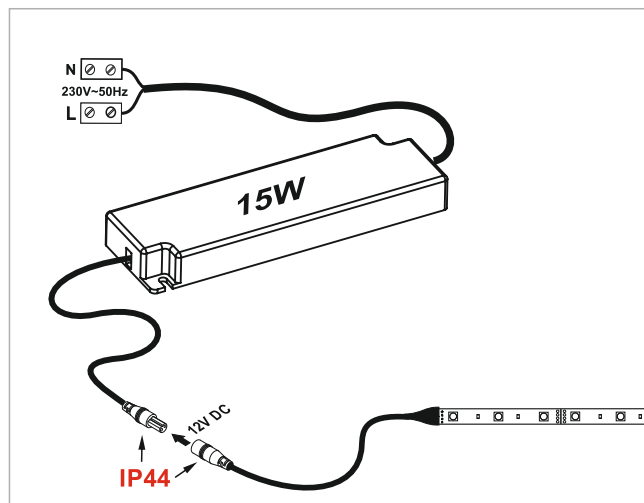
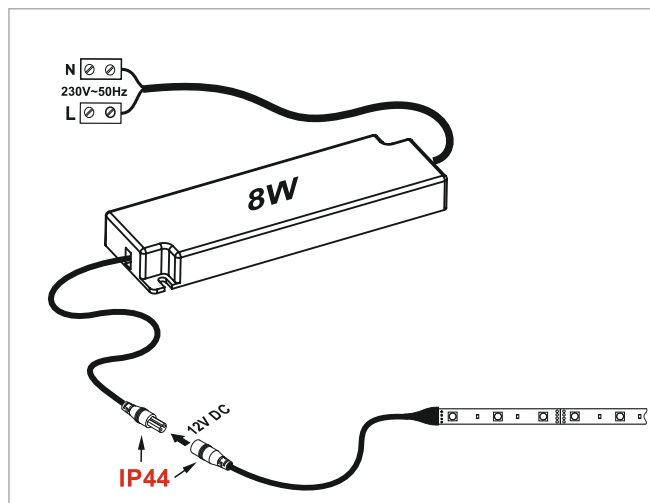
NEW 2019



10.04.04/20W/IP23



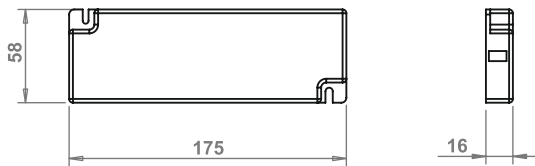
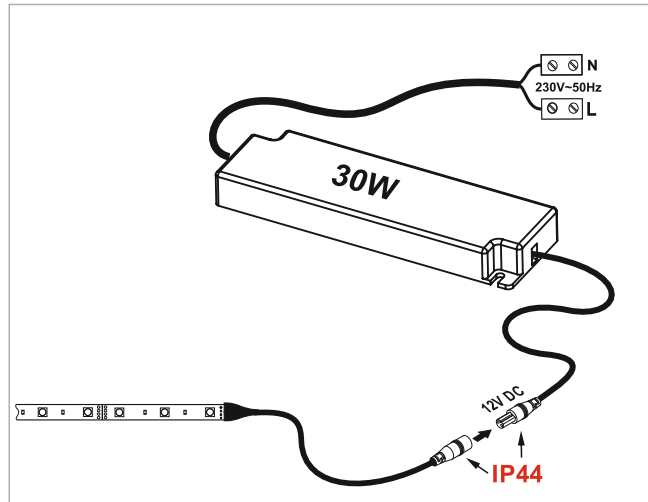
10.04.04/20W/IP44



**LED DRIVER 30W /IP44**

10.04.04/30W/IP44

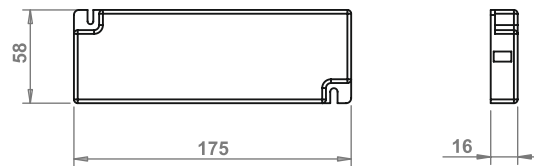
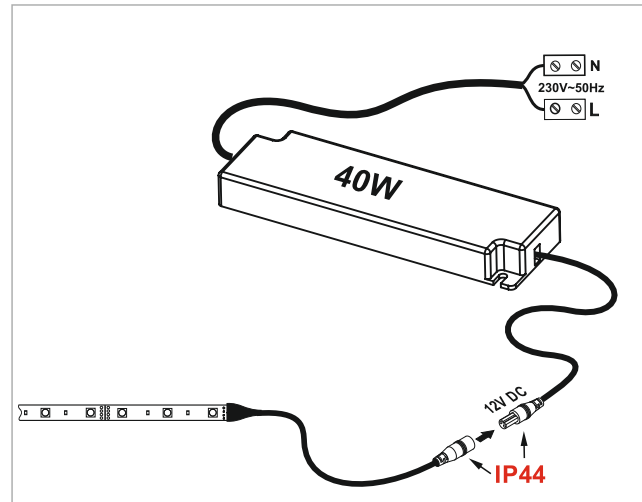
**NEW  
2019**



**LED DRIVER 40W /IP44**

10.04.04/40W/IP44

**NEW  
2019**

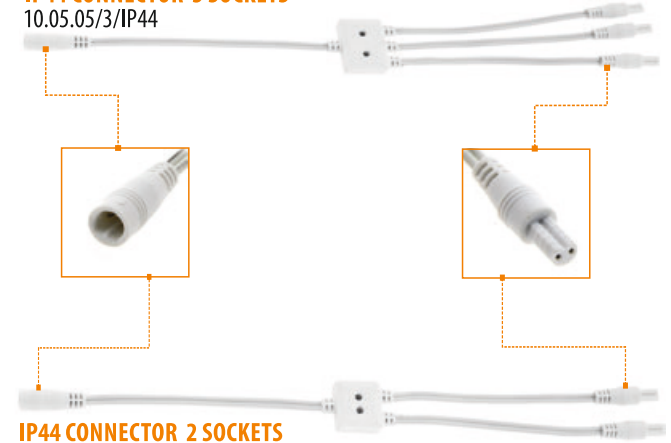


**IP44 CONNECTOR SOCKETS**

**NEW  
2019**

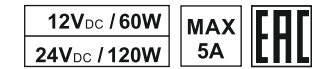
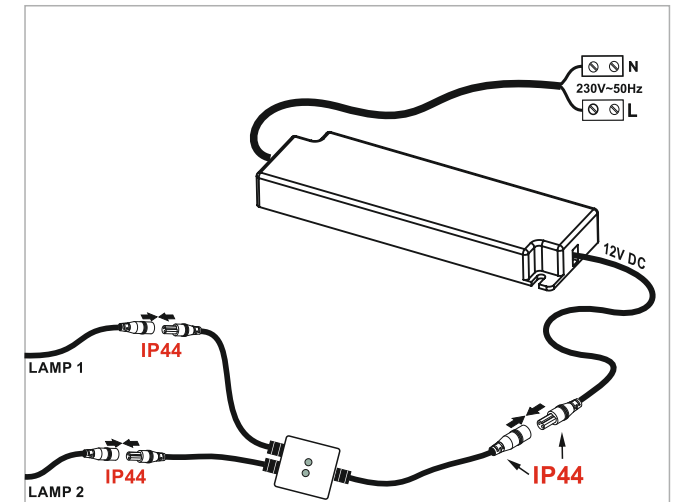
**IP44 CONNECTOR 3 SOCKETS**

10.05.05/3/IP44



**IP44 CONNECTOR 2 SOCKETS**

10.05.05/2/IP44





**LED DRIVER 8W / 15W - IP20**

/LED driver /LED Trafo /адаптер монтажный

**NEW  
2019**

10.04.03/8W



10.04.03/15W



**LED DRIVER 30W / 40W - IP20**

/LED driver /LED Trafo /адаптер монтажный

**NEW  
2019**

10.04.03/30W/IP20



10.04.03/40W/IP20



**LED DRIVER 50W / 60W - IP20**

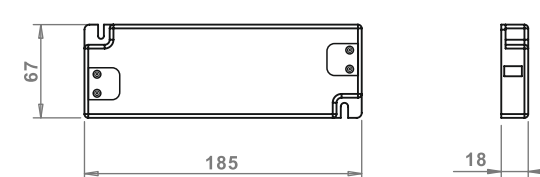
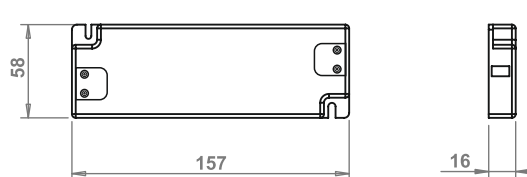
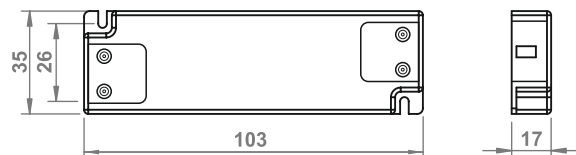
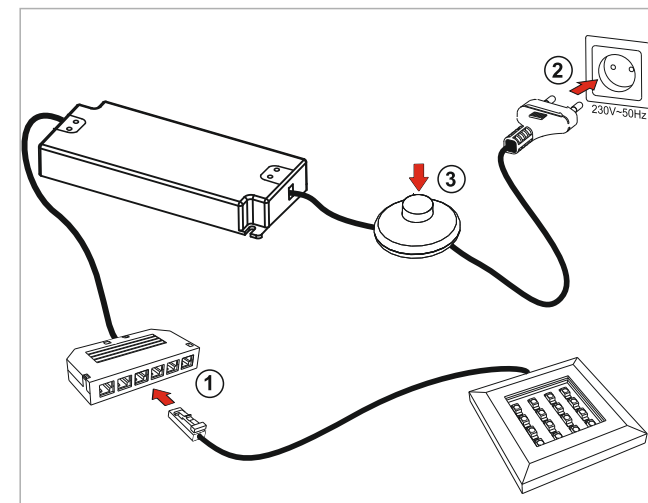
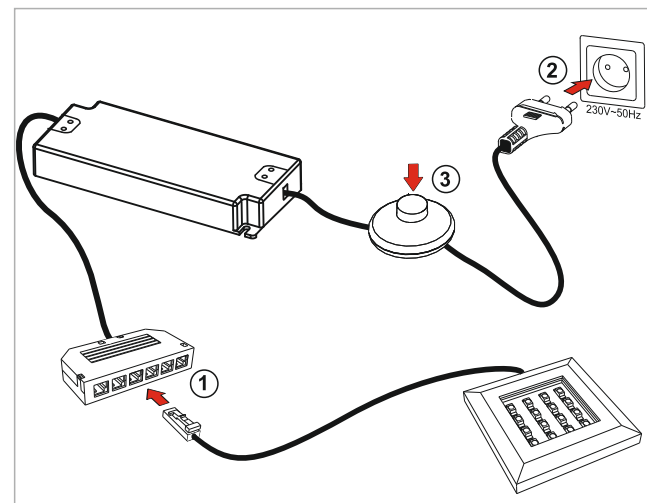
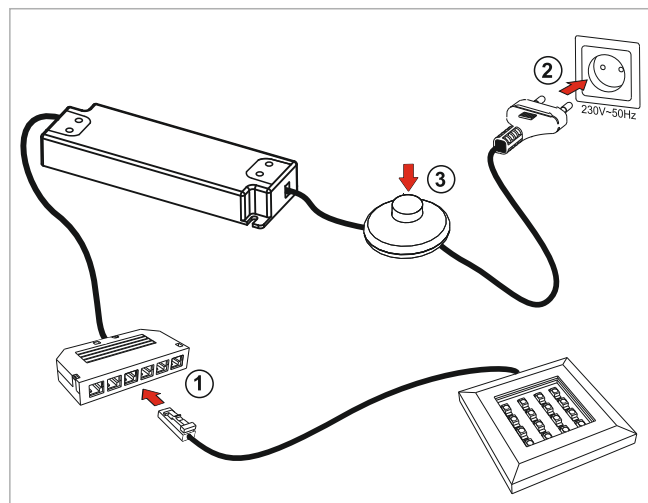
/LED driver /LED Trafo /адаптер монтажный

**NEW  
2019**

10.04.03/50W/IP20



10.04.03/60W/IP20



# LED DRIVER EU / UK / USA

/LED driver /LED Трафо/адаптер монтажный



10.04.01/6W  
10.04.01/15W  
10.04.01/36W



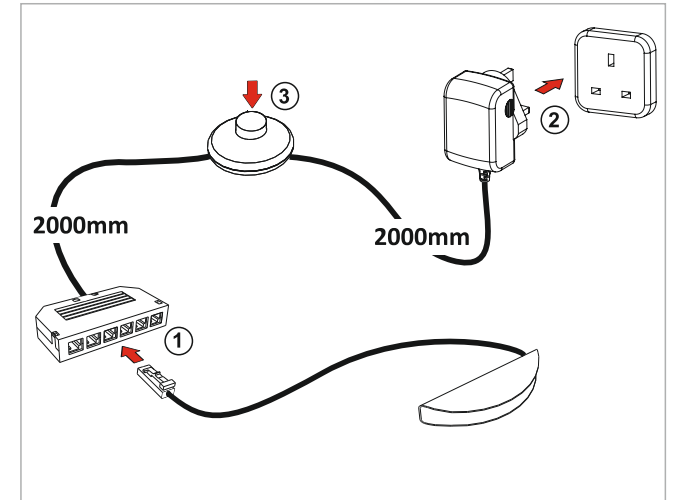
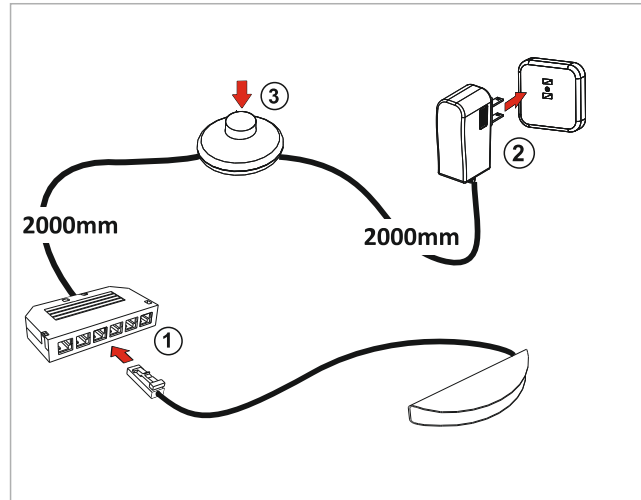
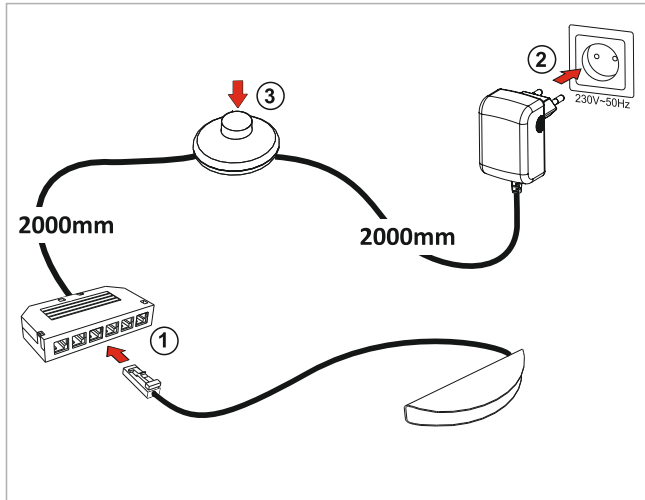
10.04.01/15W/USA



10.04.01/15W/UK

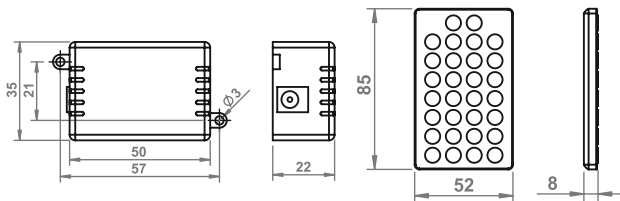
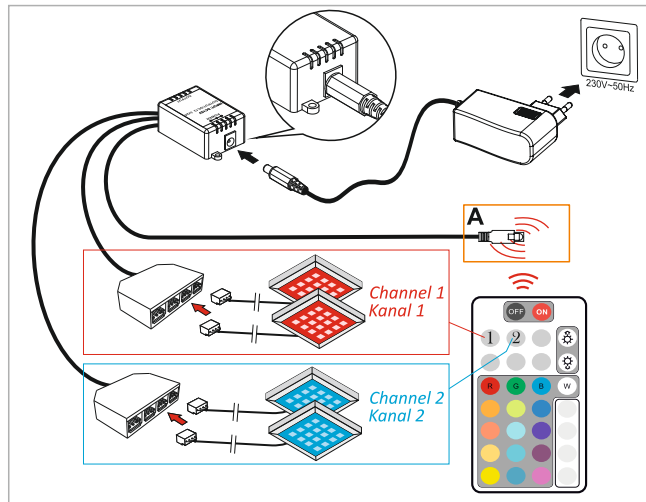


10.04.01/6W/UK



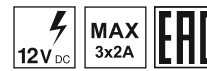
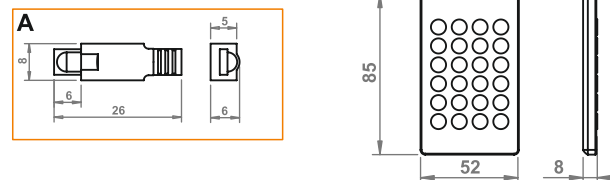
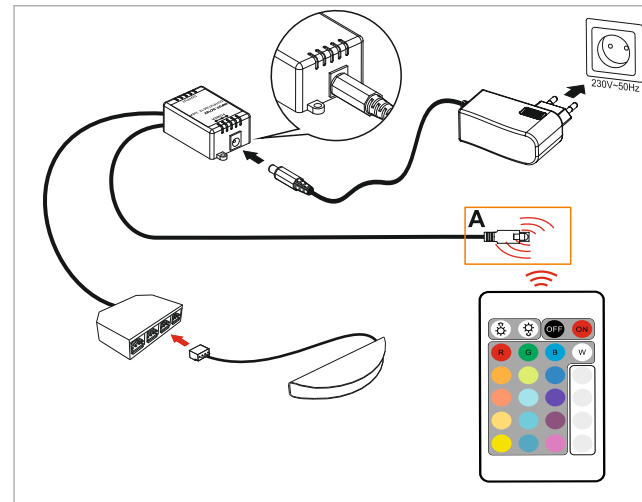
## RGB LED CONTROLLER IR 2xCHANNEL

10.04.05/RGB2K RGB Controller IR 2K / Trafo mit Steuerung / Контролер LED 2- канальный



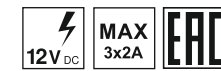
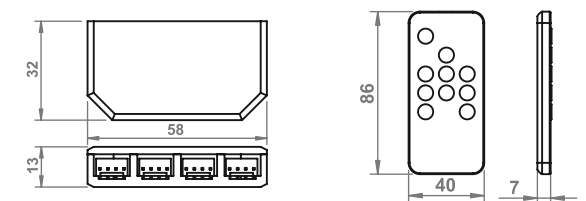
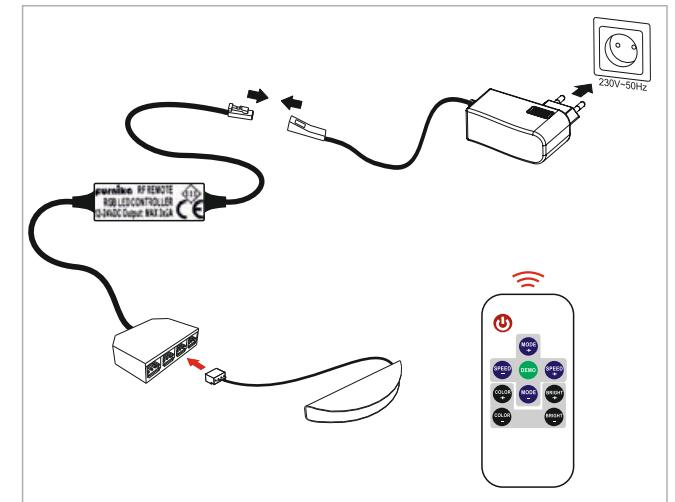
## RGB LED CONTROLLER IR

10.04.05 /RGB LED controller IR/Led Stecker Trafo mit Steuerung IR/ RGB LED Контролер IR



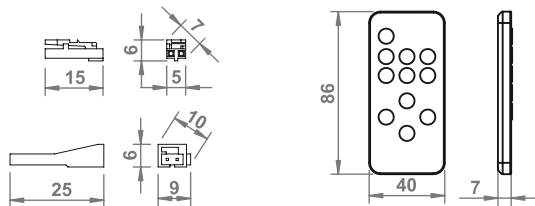
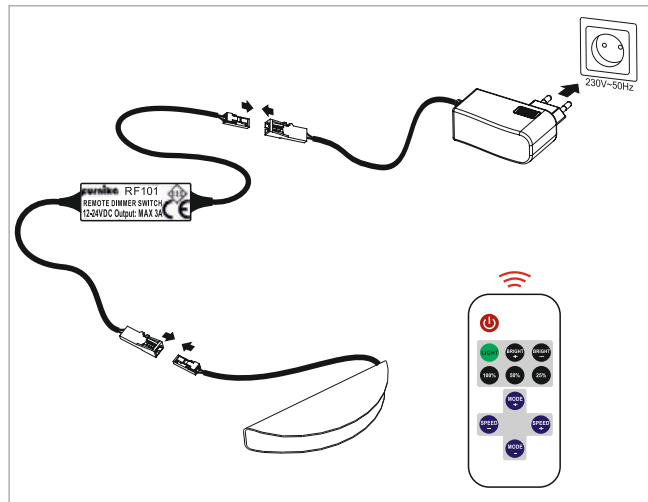
## MINI RGB LED CONTROLLER

10.04.06 /MINI RGB LED controller /MINI Led Stecker Trafo mit Steuerung / MINI RGB LED Контролер



## RF REMOTE DIMMER SWITCH - RF101

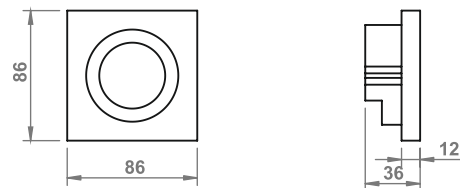
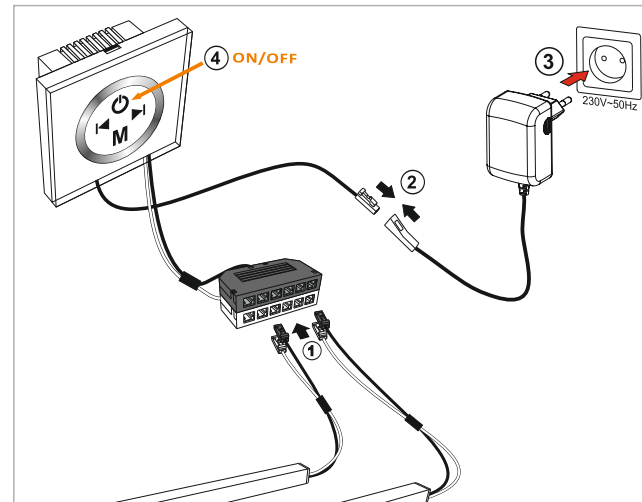
10.04.08



|                         |        |     |
|-------------------------|--------|-----|
| 12V <sub>DC</sub> / 36W | MAX 3A | EAC |
| 24V <sub>DC</sub> / 72W |        |     |

## PANEL RGB

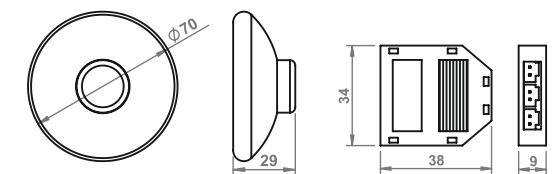
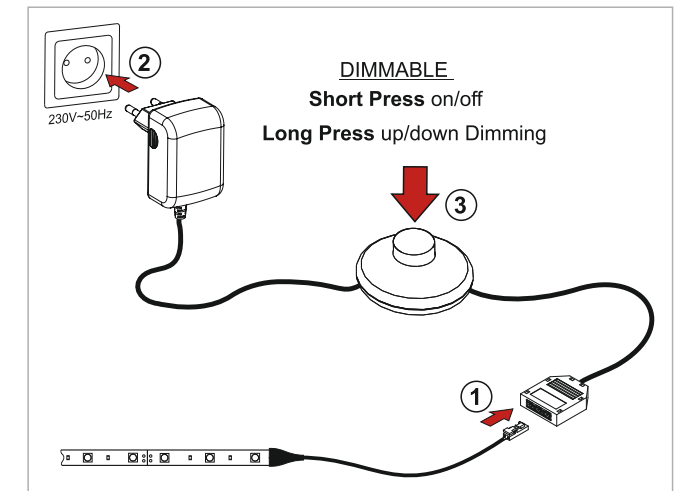
10.04.07



|                            |           |     |
|----------------------------|-----------|-----|
| 12V <sub>DC</sub> / 48W/CH | MAX 4A/CH | EAC |
| 24V <sub>DC</sub> / 96W/CH |           |     |

## LED DRIVER+DIMMER SWITCH

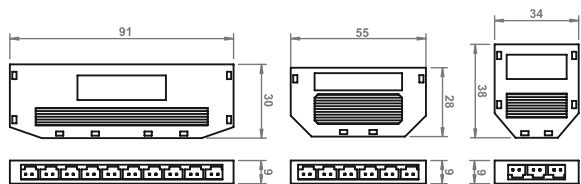
10.07.05 /Zasilacz sieciowy LED+Ściemniacz/LED Trafo + LED Funk Dimmer /  
адаптер сетевой (система управления питанием)+выключатель с опцией стемнения



|                         |        |    |     |     |
|-------------------------|--------|----|-----|-----|
| 12V <sub>DC</sub> / 12W | MAX 1A | 4m | III | EAC |
|-------------------------|--------|----|-----|-----|

### LED CONNECTOR WITH 3,6,10 SOCKETS

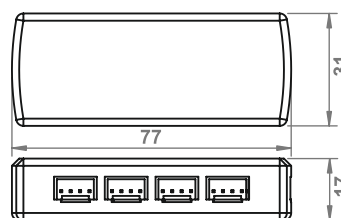
10.05.05/10LED /Connector with „3,6,10“ sockets low voltage LED / LED Verteiler „3“, „6“, „10“ /  
 10.05.05/6LED /распределитель(мини-конектор)LED  
 10.05.05/3LED



12V<sub>DC</sub> / 36W    MAX 3A    0,3m    EAC

### RGB CONNECTOR WITH 9 SOCKETS

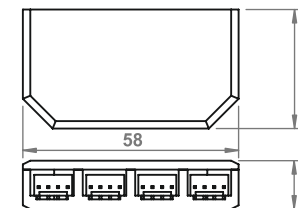
10.05.04/9RGB /Connector with „9“ sockets low voltage RGB / RGB „9“ Verteiler/  
 /распределитель(мини-конектор)LED RGB



12-24V<sub>DC</sub>    0,3m    EAC

### RGB CONNECTOR WITH 4 SOCKETS

10.05.04/4RGB /Connector with „4“ sockets low voltage RGB / RGB „4“ Verteiler/  
 /распределитель(мини-конектор)LED RGB



12-24V<sub>DC</sub>    0,3m    EAC

## WATCH FOR MIRROR

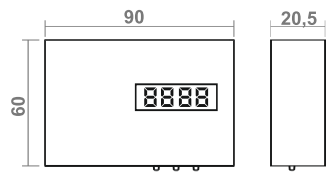
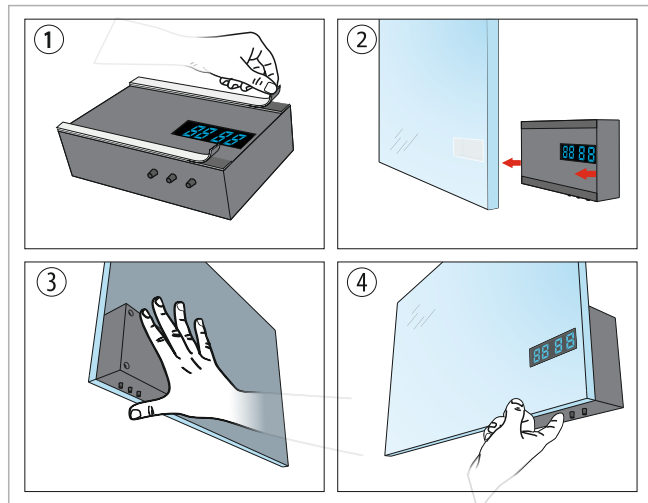
10.05.12.XY X: 8 ● Y: 1 ○ 3 ● /mirror watch/Spiegeluhr/Часы для зеркала



**widok dzien/miesiac**  
view day / month //  
anzuzeigen Tag / Monat //  
смотреть день / месяц //

**widok rok**  
year view //  
Jahr Ansicht //  
Просмотр года //

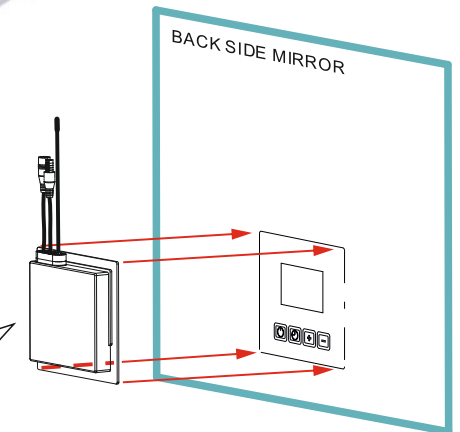
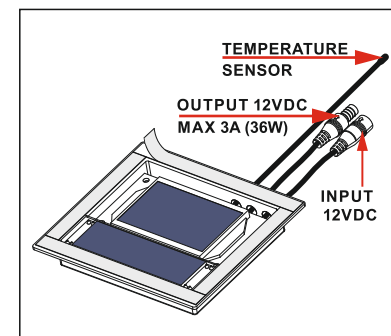
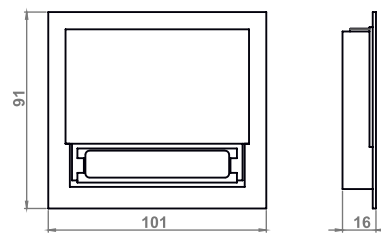
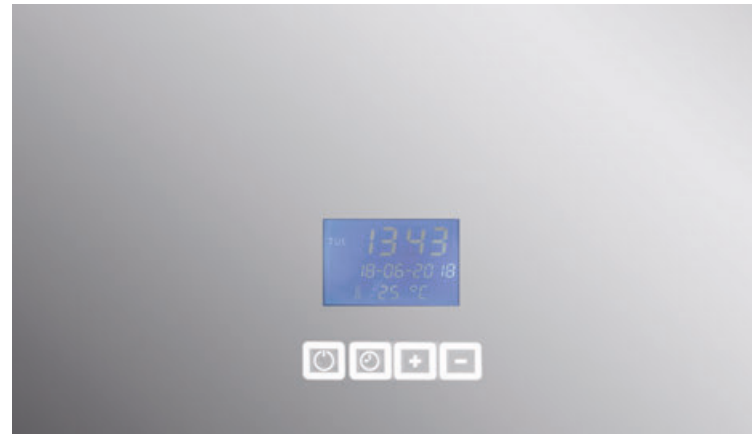
**widok godzina**  
view hours //  
anzuzeigen Stunden //  
просмотреть часов //



## WATCH FOR MIRROR V2

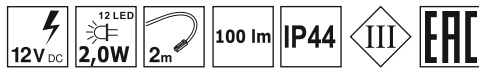
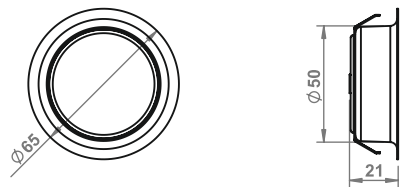
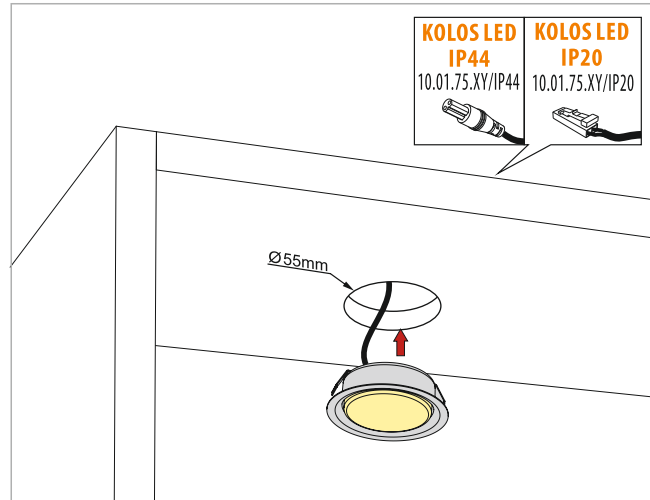
10.01.103.XY X: 8 ● Y: 1 ○ 3 ● /mirror watch/Spiegeluhr/Часы для зеркала

NEW  
2019



## KOLOS LED / IP44

10.01.75.XY X: 1 ● 2 ○ Y: 1 ○ 8 ○



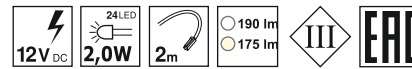
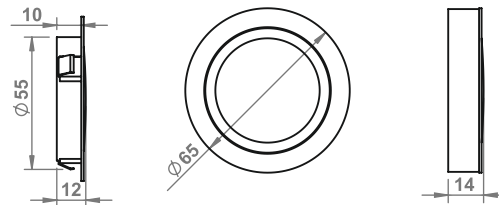
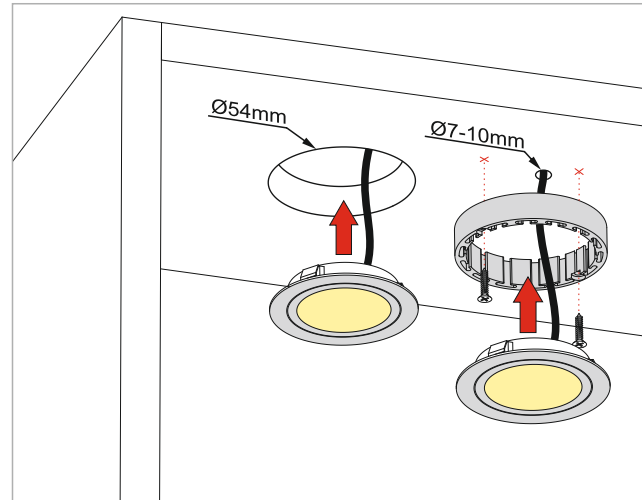
## ROUND

10.01.17.XY X: 1 ● 2 ○ 3 ● Y: 1 ○ 2 ○



## ROUND DY

10.01.17.XY/D X: 1 ● 2 ○ 3 ● Y: 1 ○ 2 ○



## FLEXIBLE LED TAPE

2835-20D || 8mm || 100LED/5m || IP20 || 1,6W/m



2835-60D || 8mm || 300LED/5m || IP44 || 4,8W/m-SILICON



2835-120D || 8mm || 600LED/5m || IP20 || 9,6W/m



3014-60D || 8mm || 300LED/5m || IP20 || 5,6W/m



3014-120D || 8mm || 600LED/5m || IP20 || 11,2W/m



5050-60D || 8mm || 300LED/5m || IP20 || 14,4W/m



5630-60D || 8mm || 300LED/5m || IP20 || 16,0W/m



3014-120 || 8mm || 600LED/5m || IP20 || 11,2W/m -SIDE VIEW



3014-60 || 8mm || 300LED/5m || IP20 || 5,6W/m -SIDE VIEW



RGB-5050-30 || 8mm || 150LED/5m || IP20 || 7,2W/m



RGB-5050-30 || 10mm || 150LED/5m || IP44 || 7,2W/m-SILICON



RGB-5050-60 || 8mm || 150LED/5m || IP20 || 14,4W/m





Rzeczpospolita  
Polska



Unia Europejska  
Europejskie Fundusze  
Strukturalne i Inwestycyjne



📍 FURNIKA Sp. z o.o. S.K.  
ul.Przemysłowa 11,  
48-200 Prudnik, POLAND  
NIP 7551930589

📞 +48 77 544 91 28

📠 +48 77 544 91 29

✉ info@furnika.pl

🌐 www.furnika.pl

**OPRACOWANIE:** Mariusz Mirek / Janusz Stopa