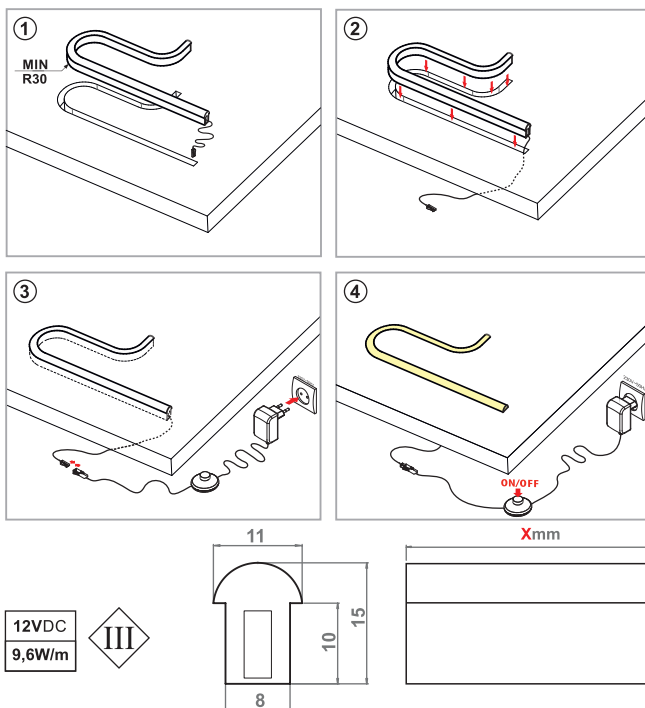
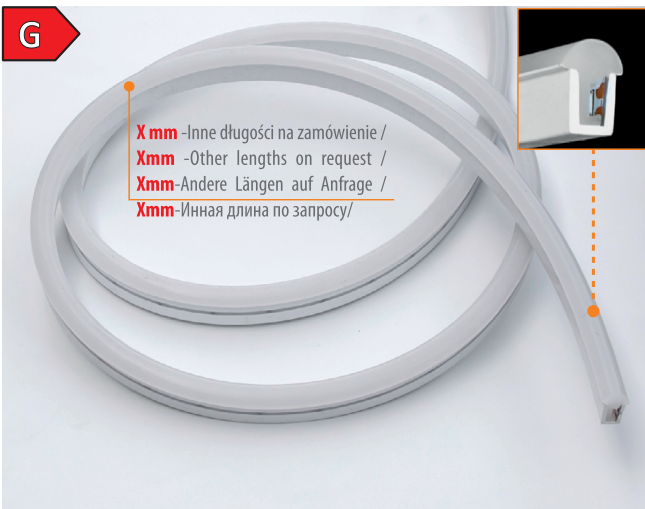


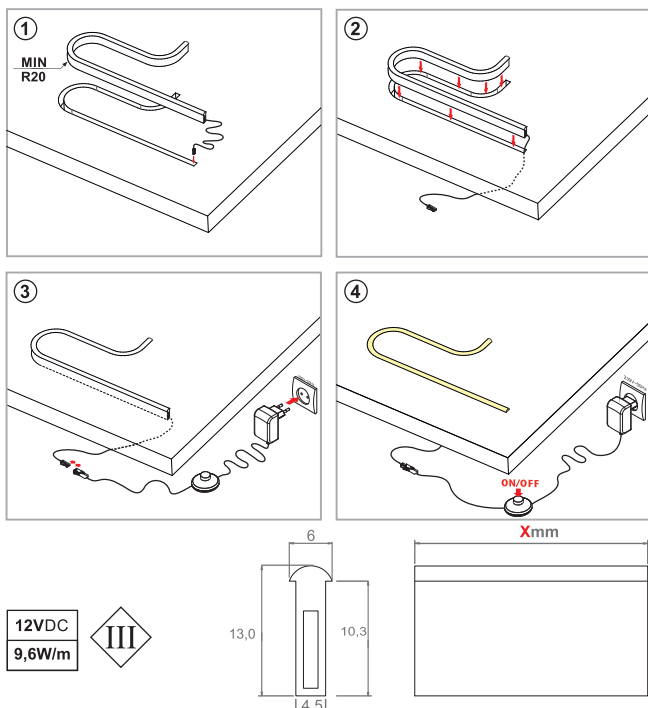
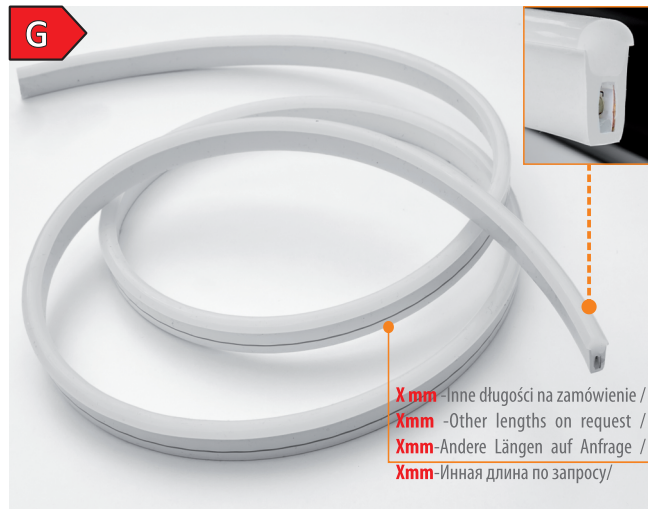
NEON 8x15 FLEX

10.01.89.XY/G/8x15 X: 5 ● Y: 1 ○ 2 ● 3 ● 4 ● 5 ● 6 ● 8 ○ 9 ●



NEON 5x13 FLEX

10.01.89.XY/G/5x13 X: 5 ● Y: 1 ○ 2 ● 3 ● 4 ● 5 ● 6 ● 8 ○



TOUCH SWITCH FP (for PROFIL NEON-5X13-FLEX)

10.07.07.X X: 2 ●

