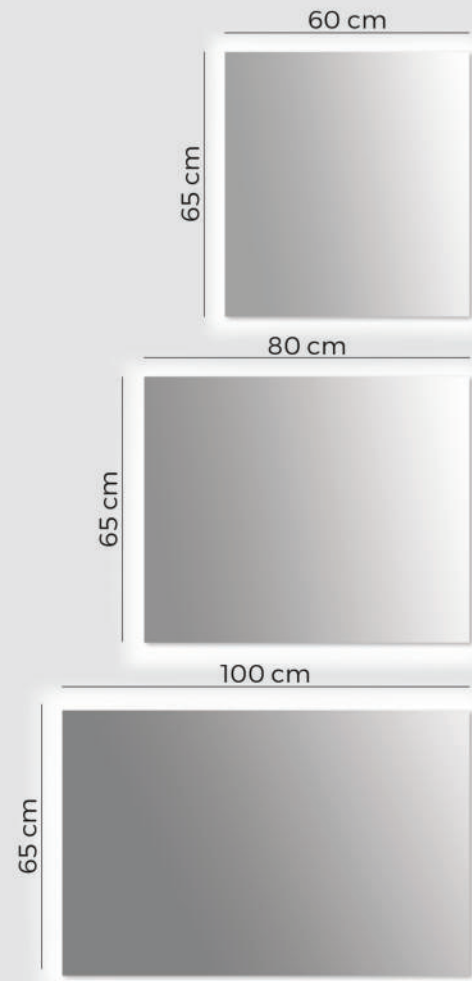


FURNIKA

Mirror



SP1 MIRROR

IP20 kWh/1000h 9,7 CE

IN: 230V-50Hz;
OUT LED : 12VDC MAX 8,8 W

6500 K A++

IP20 kWh/1000h 11,0 CE

IN : 230V-50Hz;
OUT LED : 12VDC MAX 10,0 W

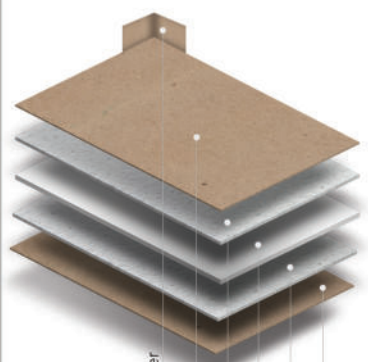
6500 K A++

IP20 kWh/1000h 12,1 CE

IN : 230V-50Hz;
OUT LED : 12VDC MAX 11,0 W

6500 K A++

SAFE PACKAGING SYSTEM

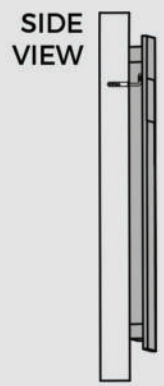
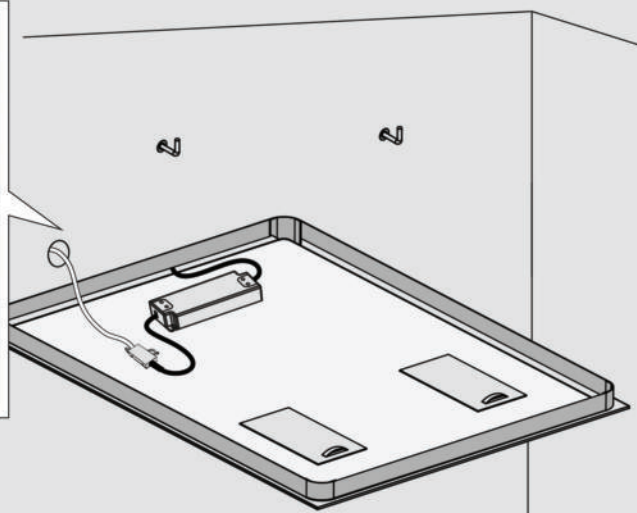
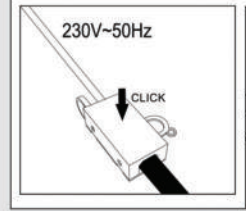
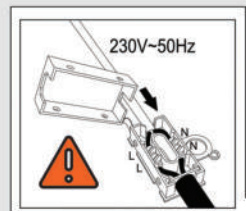


strengthening corner
cardboard
styrofoam
mirror
styrofoam
cardboard

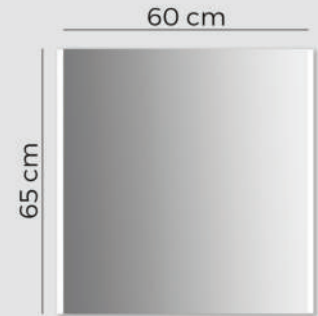
TRANSPORT x15



PREPARATION FOR ASSEMBLY



TECHNICAL DATA



SP2 MIRROR

IP20 kWh/1000h 12,7 CE

IN: 230V-50Hz; OUT LED : 12VDC MAX 11,6 W

6500 K A

IP20 kWh/1000h 12,7 CE

IN: 230V-50Hz; OUT LED : 12VDC MAX 11,6 W

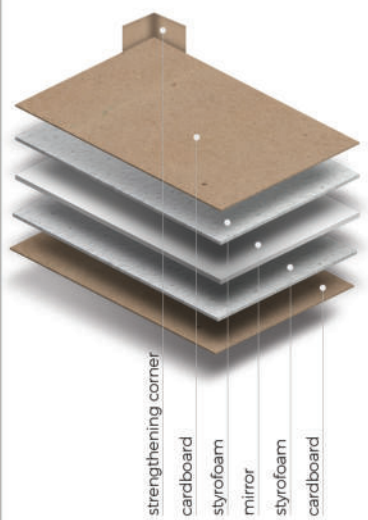
6500 K A

IP20 kWh/1000h 12,7 CE

IN: 230V-50Hz; OUT LED : 12VDC MAX 11,6 W

6500 K A

SAFE PACKAGING SYSTEM

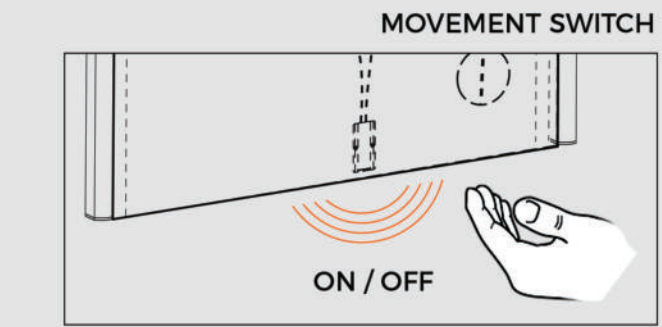
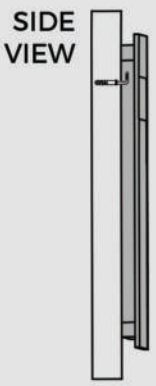
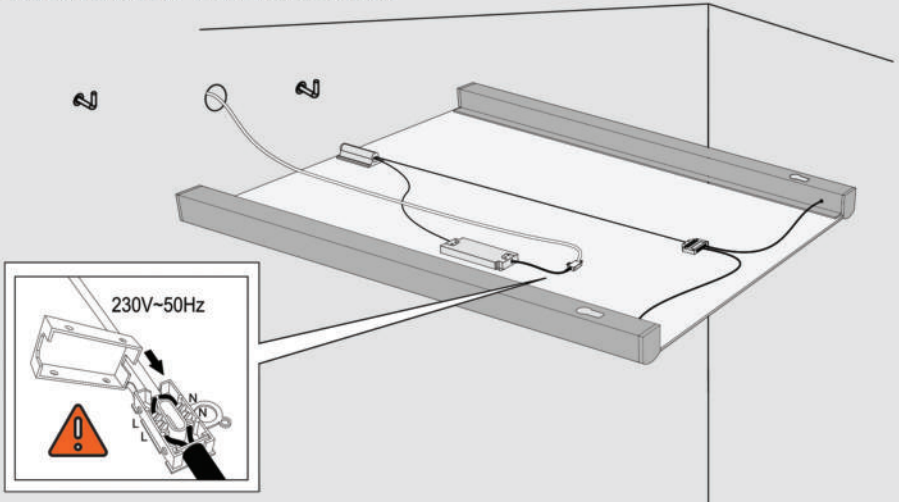


strengthening corner
cardboard
styrofoam
mirror
styrofoam
cardboard

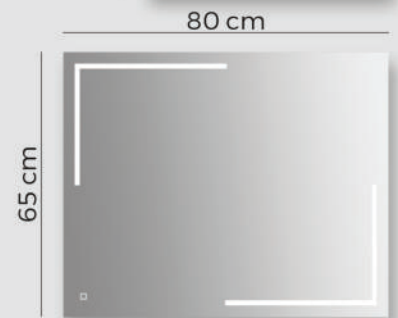
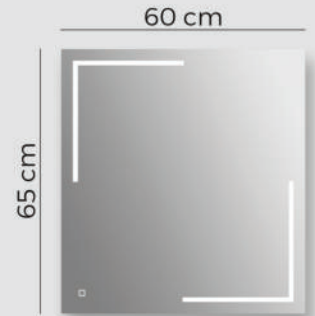
TRANSPORT X8



PREPARATION FOR ASSEMBLY



TECHNICAL DATA



SP3 MIRROR

IP20 kWh/1000h 12,7 CE

IN: 230V-50Hz;
OUT LED : 12VDC MAX 11,6W

6500 K A

IP20 kWh/1000h 14,7 CE

IN : 230V-50Hz;
OUT LED : 12VDC MAX 13,4W

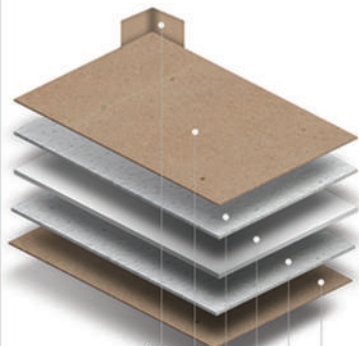
6500 K A

IP20 kWh/1000h 16,5 CE

IN : 230V-50Hz;
OUT LED : 12VDC MAX 15,0W

6500 K A

SAFE PACKAGING SYSTEM



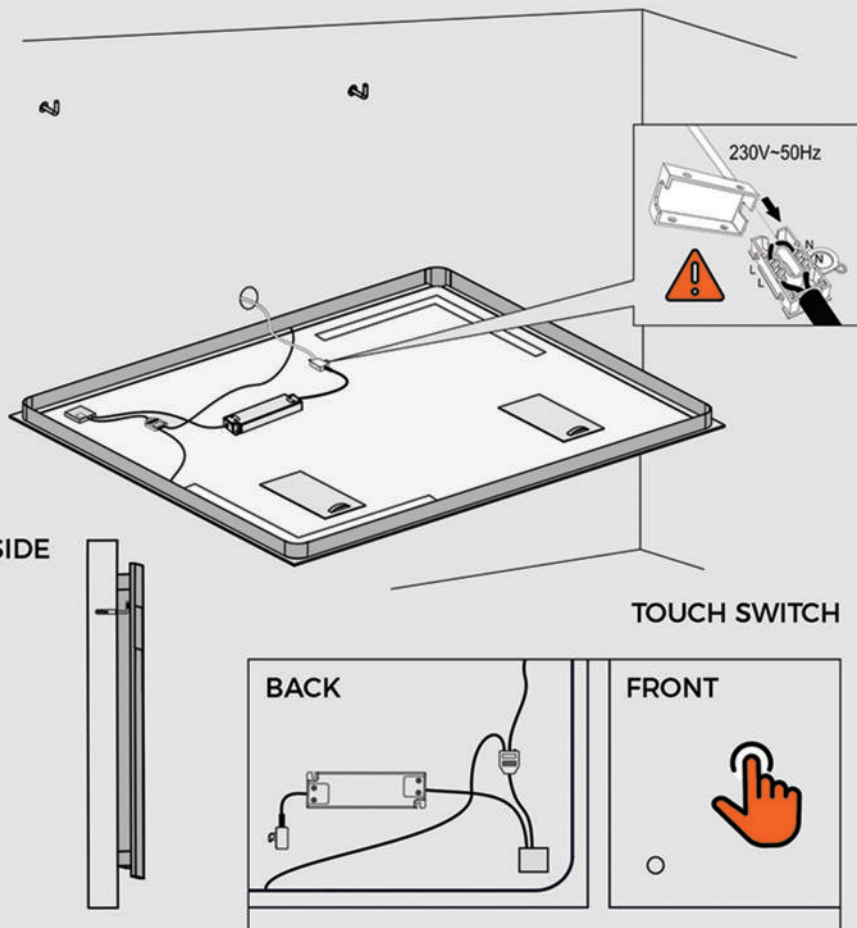
strengthening corner
cardboard
styrofoam
mirror
styrofoam
cardboard

TRANSPORT

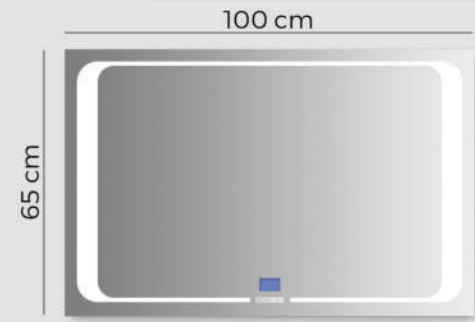
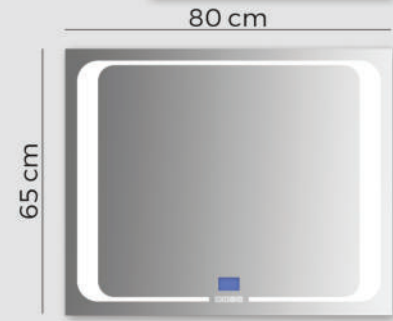
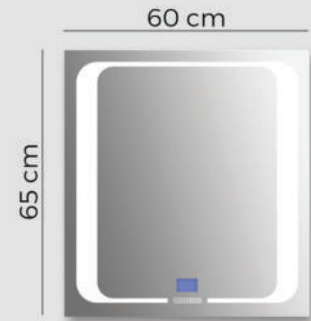
x8



PREPARATION FOR ASSEMBLY



TECHNICAL DATA



SP4 MIRROR

IP20 kWh/1000h 30,2 CE

IN: 230V-50Hz; OUT LED: 12VDC MAX 11,6 W

6500 K A

IP20 kWh/1000h 33,0 CE

IN: 230V-50Hz; OUT LED: 12VDC MAX 30 W

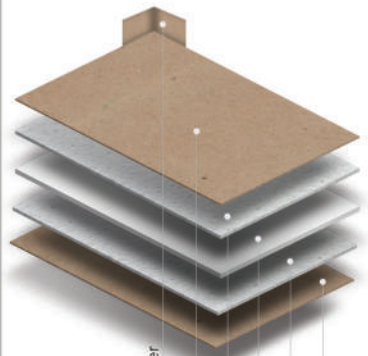
6500 K A

IP20 kWh/1000h 33,0 CE

IN: 230V-50Hz; OUT LED: 12VDC MAX 30 W

6500 K A

SAFE PACKAGING SYSTEM



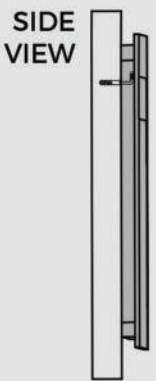
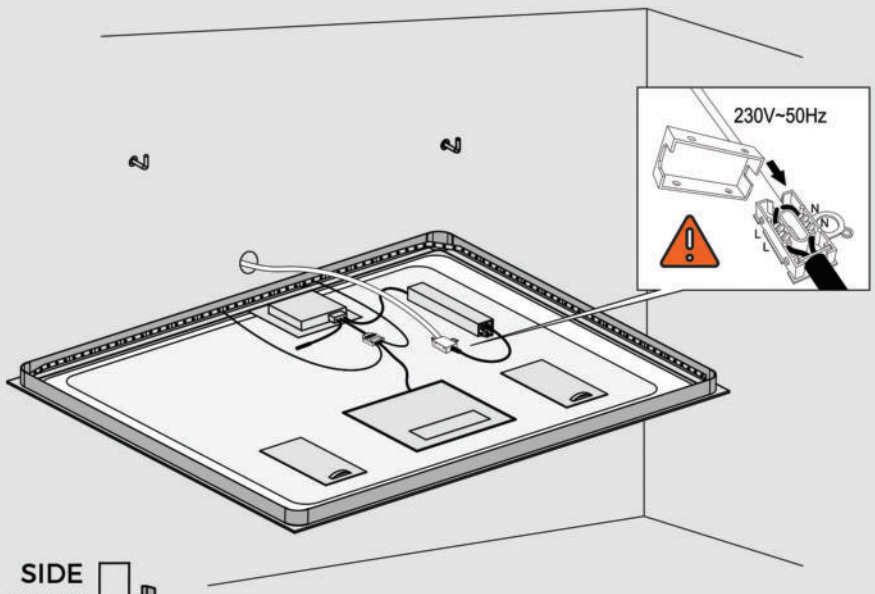
strengthening corner
cardboard
styrofoam
mirror
styrofoam
cardboard

TRANSPORT

x8



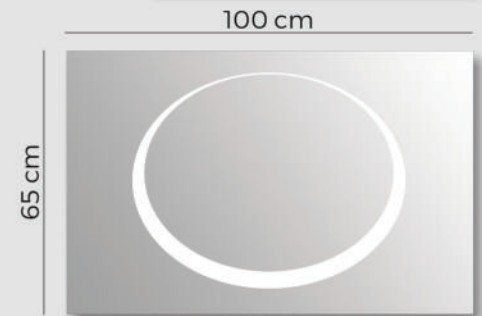
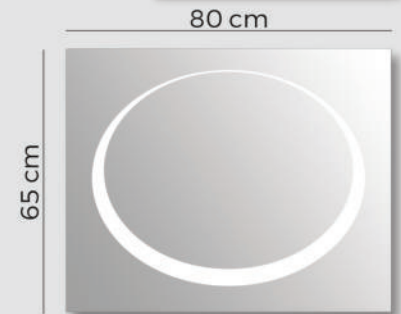
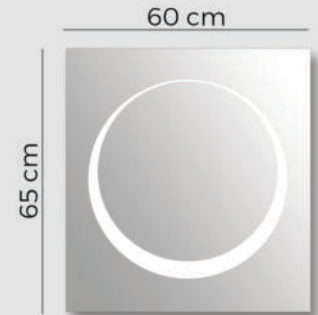
PREPARATION FOR ASSEMBLY



SIDE VIEW

MIRROR WATCH & SWITCH





SP5 MIRROR

IP20 kWh/1000h 30,2 CE

IN: 230V-50Hz; OUT LED: 12VDC MAX 11,6 W

6500 K A

IP20 kWh/1000h 33,0 CE

IN: 230V-50Hz; OUT LED: 12VDC MAX 30 W

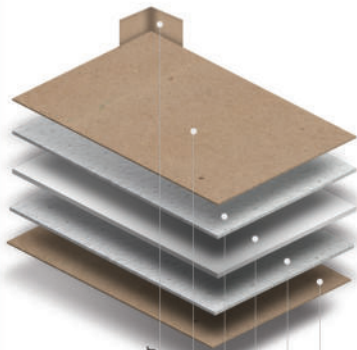
6500 K A

IP20 kWh/1000h 33,0 CE

IN: 230V-50Hz; OUT LED: 12VDC MAX 30 W

6500 K A

SAFE PACKAGING SYSTEM



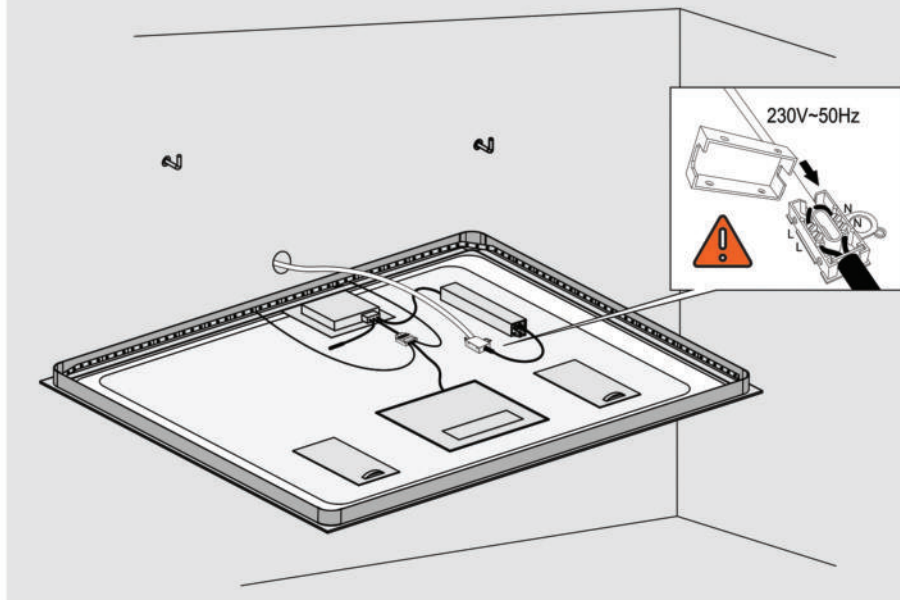
strengthening corner
cardboard
styrofoam
mirror
styrofoam
cardboard

TRANSPORT

x8



PREPARATION FOR ASSEMBLY

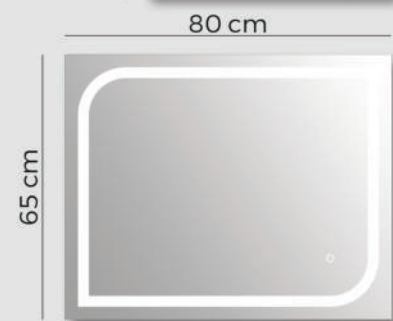
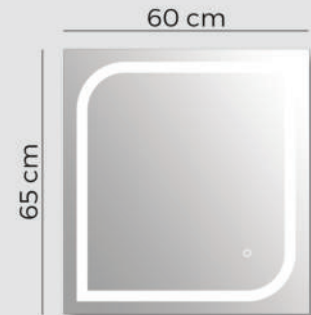


OPTION

65 x 80 CM

WITH MIRROR WATCH & SWITCH





SP6 MIRROR

IP20 kWh/1000h 7,6 CE

IN: 230V-50Hz; OUT LED: 12VDC MAX 6,9 W

6500K A

IP20 kWh/1000h 9,1 CE

IN: 230V-50Hz; OUT LED: 12VDC MAX 8,2 W

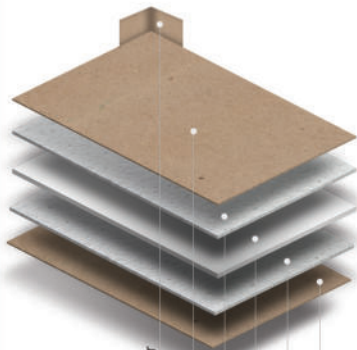
6500K A

IP20 kWh/1000h 9,5 CE

IN: 230V-50Hz; OUT LED: 12VDC MAX 10,4 W

6500K A

SAFE PACKAGING SYSTEM



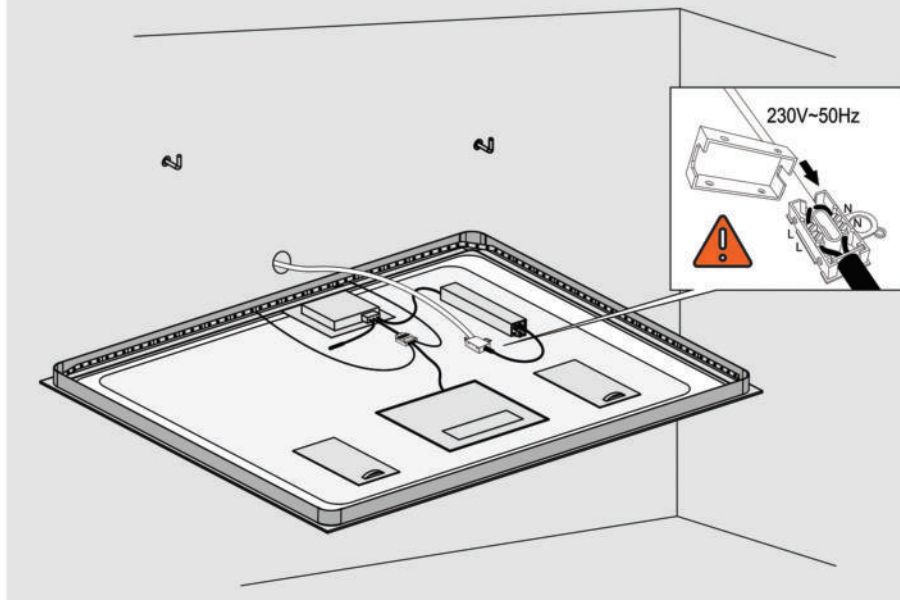
strengthening corner
cardboard
styrofoam
mirror
styrofoam
cardboard

TRANSPORT

x8



PREPARATION FOR ASSEMBLY

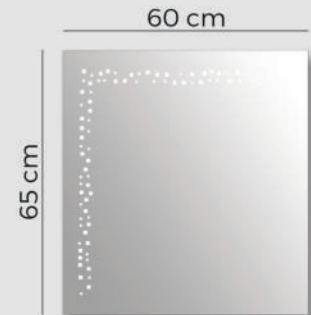


OPTION

65 x 80 CM

WITH MIRROR WATCH & SWITCH





SP7 MIRROR

IP20 kWh/1000h 4,6 CE

IN: 230V-50Hz; OUT LED: 12VDC MAX 5,1 W

6500K A

IP20 kWh/1000h 5,4 CE

IN: 230V-50Hz; OUT LED: 12VDC MAX 5,9 W

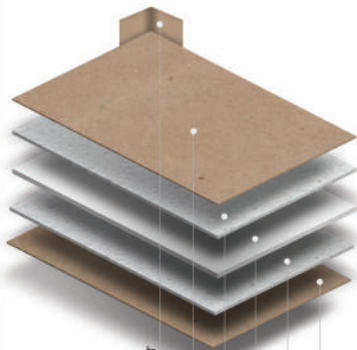
6500K A

IP20 kWh/1000h 6,1 CE

IN: 230V-50Hz; OUT LED: 12VDC MAX 6,7 W

6500K A

SAFE PACKAGING SYSTEM



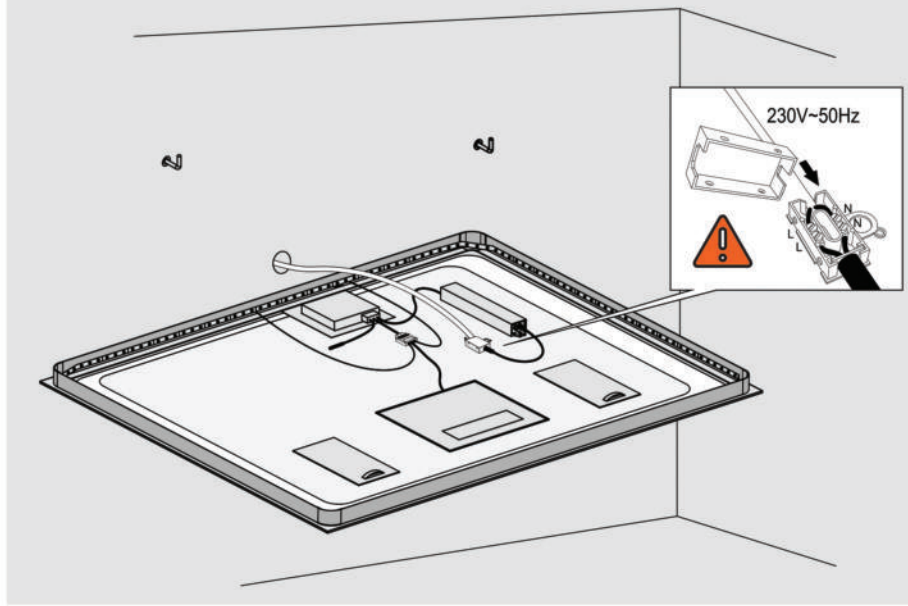
strengthening corner
cardboard
styrofoam
mirror
styrofoam
cardboard

TRANSPORT

x8



PREPARATION FOR ASSEMBLY

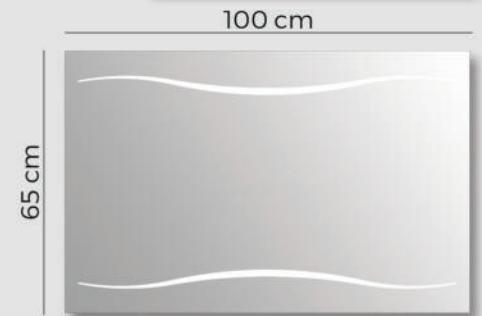
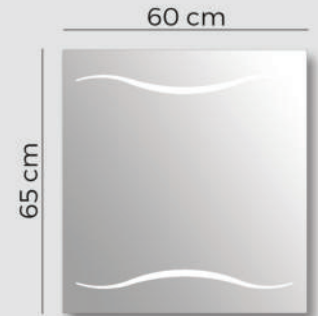


OPTION

65 x 80 CM

WITH MIRROR WATCH & SWITCH





SP8 MIRROR

IP20 kWh/1000h 5,2 CE

IN: 230V-50Hz; OUT LED: 12VDC MAX 5,7 W

6500K A

IP20 kWh/1000h 7 CE

IN: 230V-50Hz; OUT LED: 12VDC MAX 7,7 W

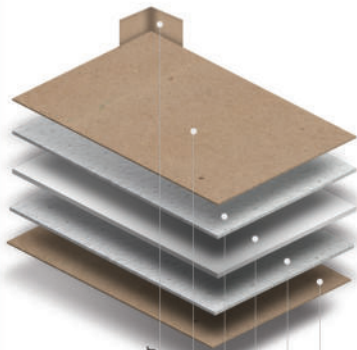
6500K A

IP20 kWh/1000h 8,8 CE

IN: 230V-50Hz; OUT LED: 12VDC MAX 9,7 W

6500K A

SAFE PACKAGING SYSTEM



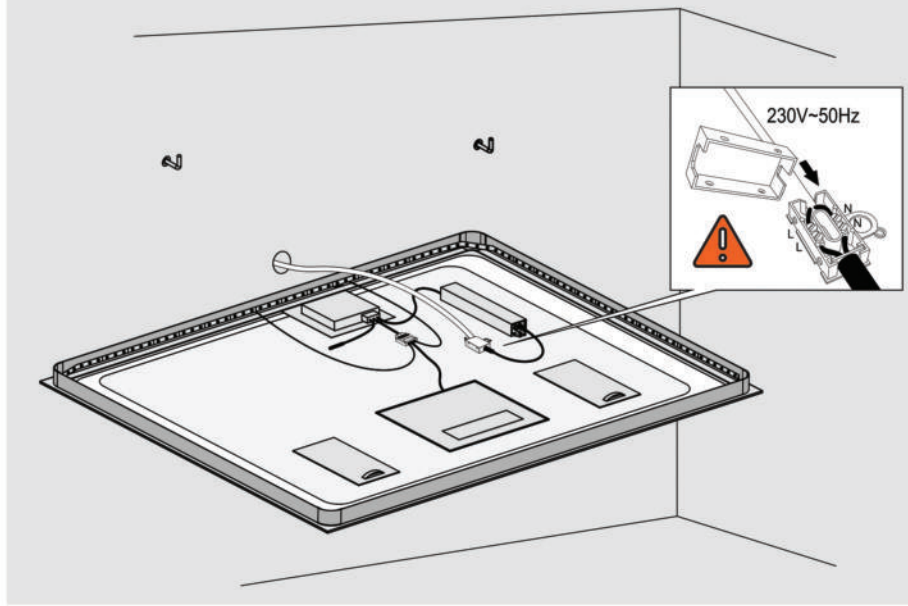
strengthening corner
cardboard
styrofoam
mirror
styrofoam
cardboard

TRANSPORT

x8



PREPARATION FOR ASSEMBLY

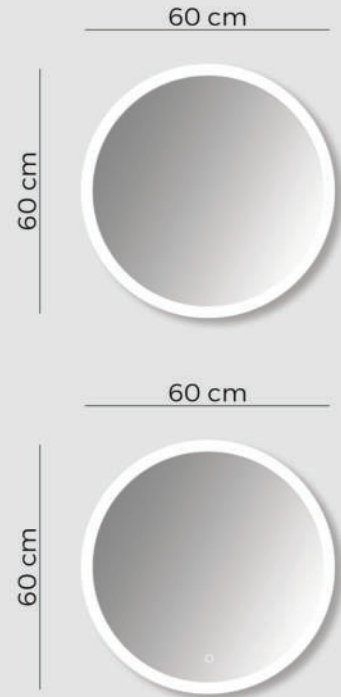


OPTION

65 x 80 CM

WITH MIRROR WATCH & SWITCH





SP10 MIRROR

SAFE PACKAGING SYSTEM

IP20

kWh/1000h
7,3



IN: 230V-50Hz;
OUT LED: 12VDC MAX 6,6 W



6500K



IP20

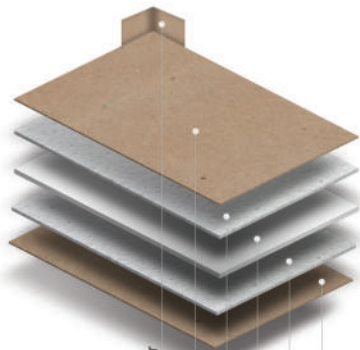
kWh/1000h
7,3



IN: 230V-50Hz;
OUT LED: 12VDC MAX 6,6 W



6500K



strengthening corner

cardboard

styrofoam

mirror

styrofoam

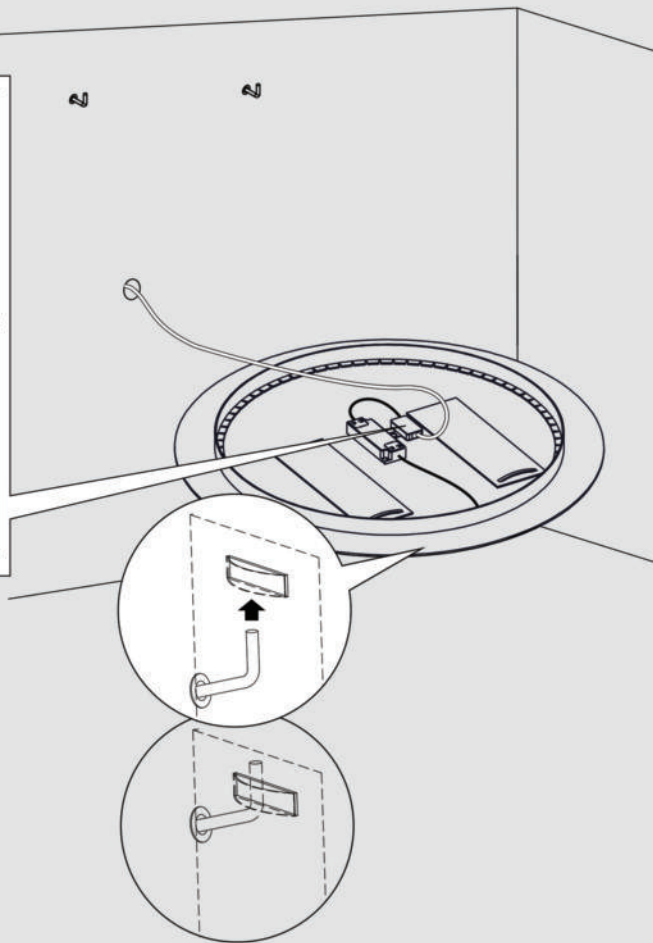
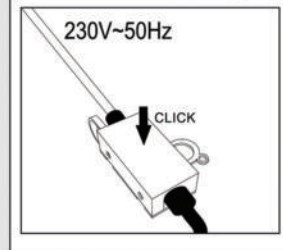
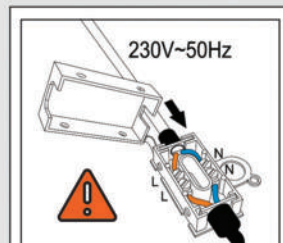
cardboard

TRANSPORT

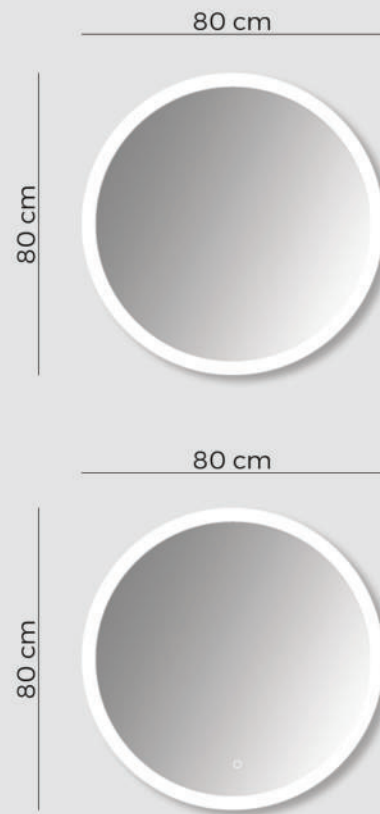
x8



PREPARATION FOR ASSEMBLY



TECHNICAL DATA



SP11 MIRROR

IP20 kWh/1000h 9,2 CE

IN: 230V-50Hz;
OUT LED: 12VDC MAX 8,4 W

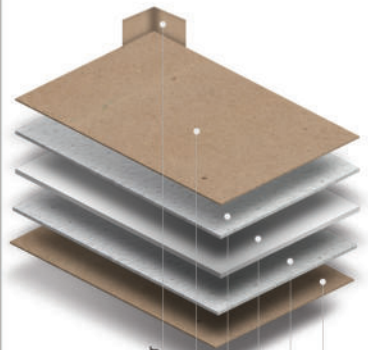
6500K A

IP20 kWh/1000h 9,2 CE

IN: 230V-50Hz;
OUT LED: 12VDC MAX 8,4 W

6500K A

SAFE PACKAGING SYSTEM



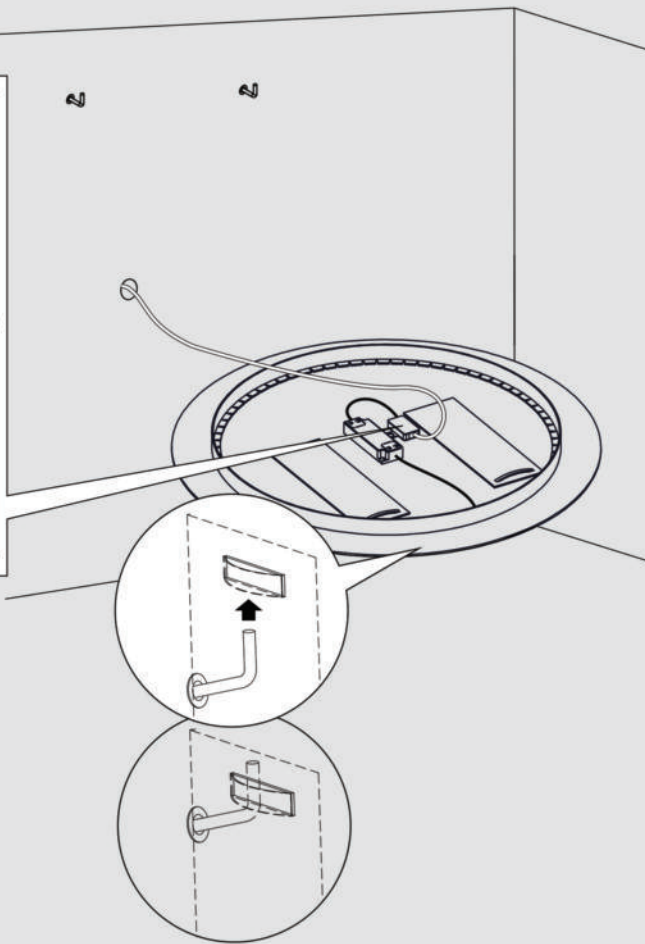
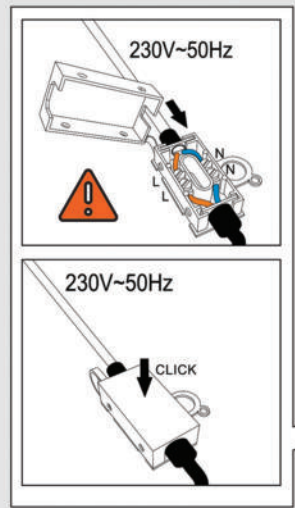
strengthening corner
cardboard
styrofoam
mirror
styrofoam
cardboard

TRANSPORT

x8



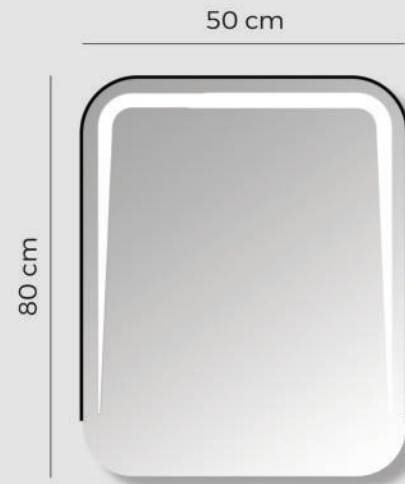
PREPARATION FOR ASSEMBLY



TECHNICAL DATA



SP12 MIRROR



SP13 MIRROR



SP14 MIRROR

Visit us

*www.***FURNIKA***.pl*
