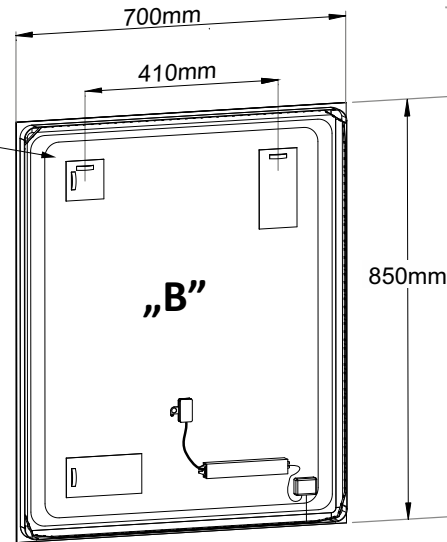
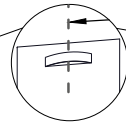
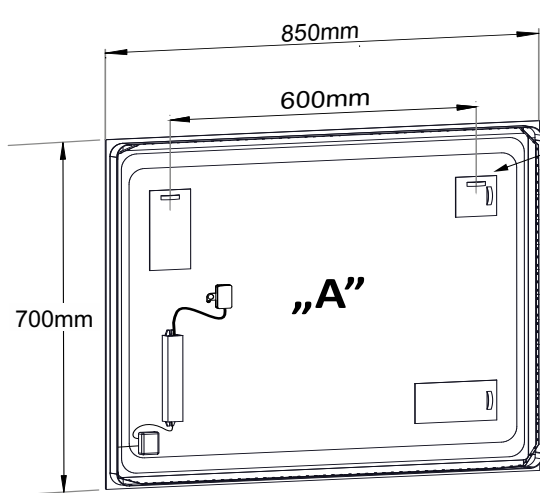
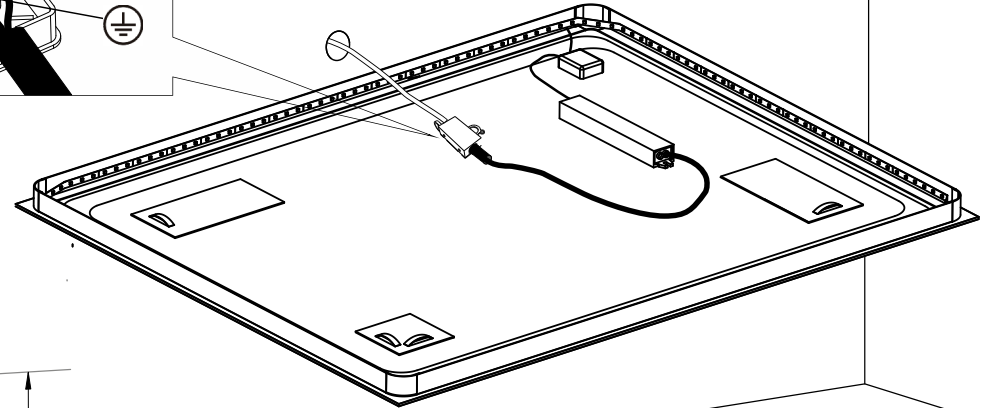
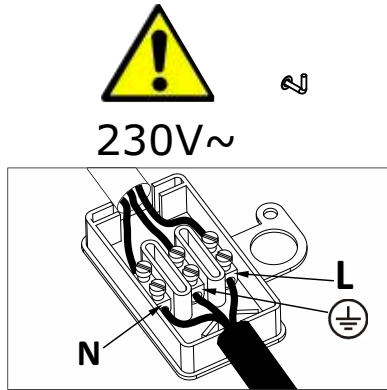


10.01.73.Y/700x850



| | | | | | | | | |
|-----|---|------|--------|--------|-----------|---------|--|-----------------|
| CE | ⊕ | IP20 | 6500K | ON OFF | 15 000 | 30 000h | 1s | 850x700x30 [mm] |
| LED | 🏠 | ⓧ | 280 lm | 120° | kWh/1000h | 33,0 | IN : 230V~50Hz; OUT LED : 12VDC MAX 30,0W | |