


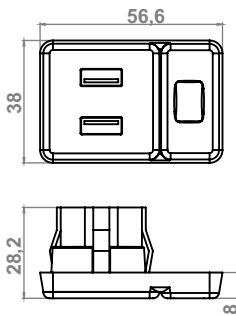
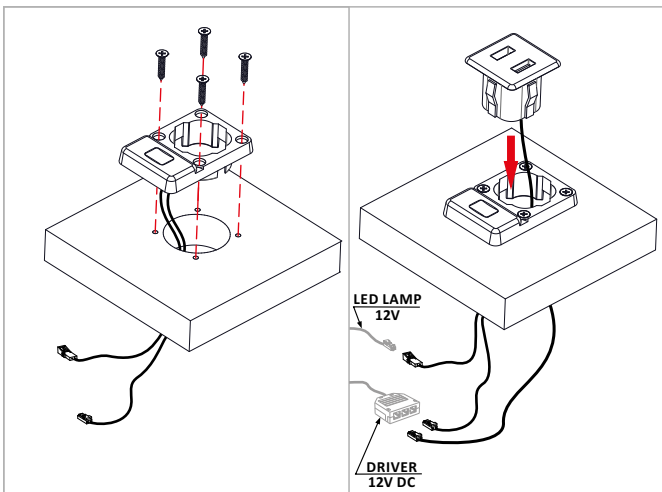


## DOUBLE USB SWITCH

10.05.25.X X: 2  4  8 



IN: 12VDC  
OUT: 2 x USB 5VDC MAX 2x1A

DRIVER  
MINIMUM  
36W