

STELLA

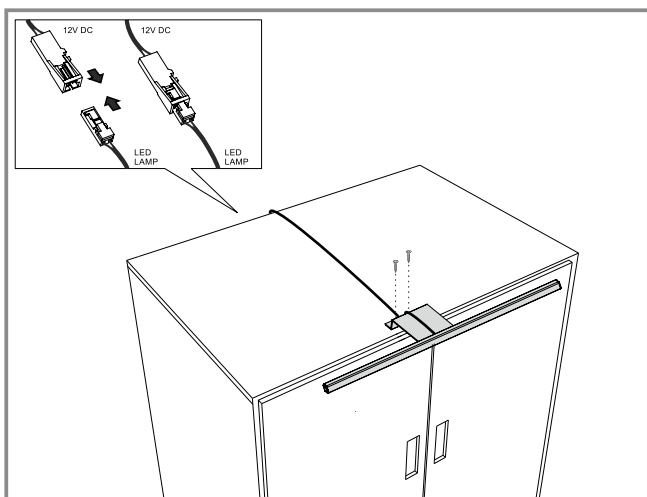
X: 2 4 8 Y: 1 2 8



STELLA 335 - 10.01.58.XY



STELLA 635 - 10.01.58.XY/635



STELLA 635

STELLA 335

