

TOUCH SWITCH WITH DIMMER

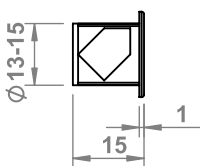
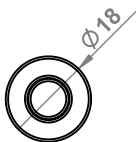
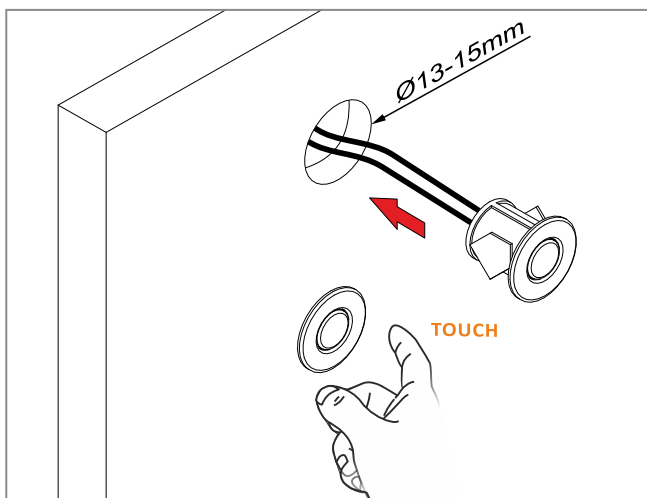
10.05.06.X

X: 1 2 4 8

10.05.06.X/DIM

X: 1 2 4 8

WITH MEMORY AND DIMMING

12V
DC