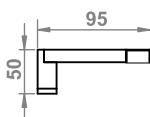
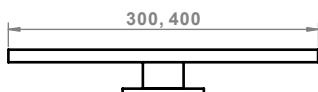
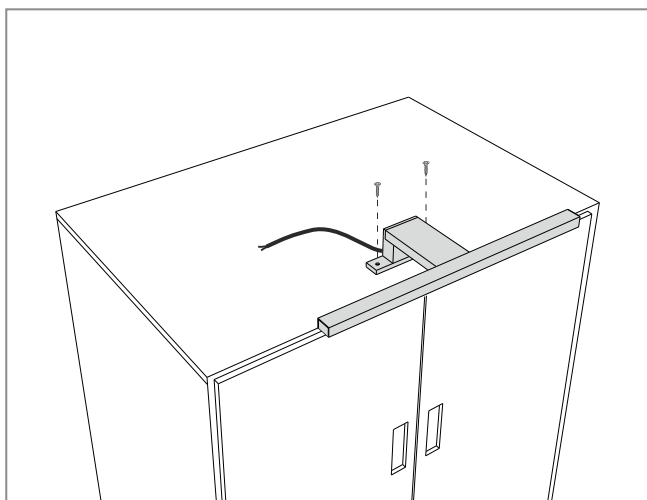


## ALA 2 300 | ALA 2 400 IP44

10.01.94.XY/30  
10.01.94.XY/40

X: 1 ● 2 ○ 8 ●

Y: 1 ○ 2 ○ 8 ○

ALA2 300 /IP44  
10.01.94.XY/30230V  
ACLED  
max 5W
  
0,3m

IP44

ALA2 400 /IP44  
10.01.94.XY/40230V  
ACLED  
max 5W
  
0,3m

IP44

